

**The M-C15 is the larger of the two coaxial stage monitors from EM Acoustics – a compact two-way design intended to satisfy the most exacting artist and engineer alike. The M-C15, and the smaller companion M-C12 – are intended not only to be world-class stage monitors, but also to suit today’s rental market by being genuine multi-purpose loudspeakers.**

## FEATURES AND BENEFITS

- Coaxial design for true point-source performance in compact footprint
- Precise, controlled HF coverage pattern for high feedback stability
- Signature EM Acoustics passive crossover for unprecedented frequency and phase response
- Concealed polemount and rigging options allow additional use as FOH or installation product

## APPLICATIONS

- Stage monitoring
- Small-to-medium scale FOH use
- Corporate and audio-visual

The low-profile enclosure contains a 15" (381mm) neodymium LF drive unit with a coaxial 1.3" (33mm) exit HF compression drive unit, linked via the internal passive crossover network. Both the LF and HF drive units share the same magnet assembly, reducing overall weight and enclosure profile. The HF drive unit is coupled to a bespoke constant-directivity waveguide, which produces a 40°H x 60°V dispersion pattern on stage.

The robust enclosure is constructed from premium multi-laminate Birch plywood and is finished in impact resistant textured paint. The enclosure contains a pair of M8 threaded mounting points in each end for attaching the optional flying hardware, and a 35mm polemount is hidden discreetly inside one of the handles to allow stand mounting. When used in this way as a powerful front-of-house loudspeaker, the waveguide produces a 60°H x 40°V coverage pattern.



The M-C15 is supplied in black as standard, however white and other RAL colour matching options are available if required. The front of the loudspeaker is protected by a rigid 2mm steel grille backed with acoustically transparent fabric and supported by steel braces for additional strength. Two flush handles and protective floor skids complete the hardware package, and a single Neutrik® speakON™ NL4 connector is provided on each end within a sculpted recess for discreet cabling.

The M-C15 requires a single amplifier channel and should be used with professional power amplifiers capable of delivering 750-1000W RMS into an 8-ohm load. For optimal results, the DQ Series Advanced System Amplifiers should be used.

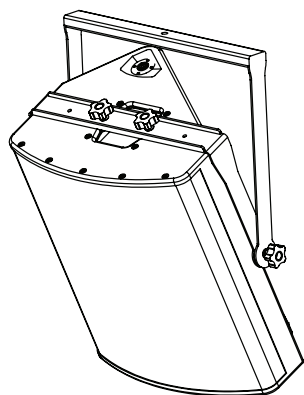
## TECHNICAL SPECIFICATIONS

ENCLOSURE TYPE:	Two-way coaxial passive, reflex loaded
DIMENSIONS (HxWxD):	359 (14.1) x 570 (22.4) x 505 (19.9) mm/(ins)
NET/SHIPPING WEIGHT:	25/27.3kg (55/60lbs)
FREQUENCY RESPONSE <sup>1</sup> :	55Hz – 20kHz ±3dB
SENSITIVITY <sup>2</sup> :	98dB
DISPERSION <sup>3</sup> :	40°H x 60°V (monitor orientation) 60°H x 40°V (FOH orientation)
DRIVE UNITS:	Coaxial 15" (381mm) LF/1.3" (33mm) exit HF with bespoke waveguide
LOUDSPEAKERS PER AMPLIFIER	DQ6: 1 per channel, DQ10: 2 per channel, DQ20: 4 per channel
POWER HANDLING:	400W RMS, 800W program
MAXIMUM SPL <sup>4</sup> :	132dB continuous, 138dB peak
NOMINAL IMPEDANCE:	8 ohms
CROSSOVER:	Asymmetric internal passive
CONNECTORS:	2 x Neutrik® speakON™ NL4
ENCLOSURE:	15mm (5/8") multi-laminate Birch plywood – rebated, screwed and glued, finished in impact and weather resistant black polyurethane
RIGGING & HARDWARE:	2 x flush handles 2 x floor skids 4 x M8 rigging points 35mm polemount
GRILLE:	Fabric-backed 2mm perforated steel with additional support
OPTIONS & ACCESSORIES:	Colours FC-MC15 flying cradle IB-MC15 installation mounting bracket
SPARE PARTS:	CAD-1501 15"/1.3" coaxial drive unit RD-C301 replacement HF diaphragm PX-MC15 passive crossover assembly RFG-MC15 replacement grille

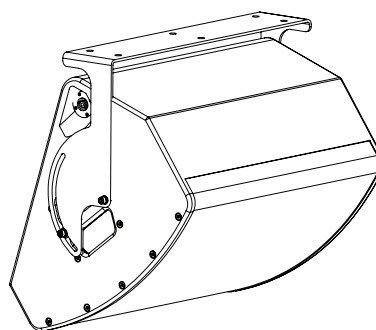
### NOTES ON MEASUREMENT CONDITIONS:

<sup>1</sup>Measured on-axis at 2m in an anechoic environment and referenced to 1m. <sup>2</sup> Measured in half space at 2m with 4W sine wave input and referenced to 1m. <sup>3</sup>Nominal dispersion, measured in an anechoic environment and averaged over stated bandwidth. <sup>4</sup>Calculated and verified by subjective listening test of familiar program material.

## RIGGING ACCESSORIES



**FC-MC15**



**IB-MC15**

## ENCLOSURE OPTIONS

M-C15 enclosures are finished in black impact resistant polyurethane finish. M-C15 enclosures can be supplied finished in white Warnex water-based textured paint, and custom RAL colours can be supplied on request; extended lead time and setup charges apply. Please contact your EM Acoustics representative for details.

ENGINEERING DRAWING

