

## Specifications

### TLP Pro 1225TG

#### Display

Screen type .....	TFT Active matrix color LCD
Size .....	12.1" (307 mm), measured diagonally
Resolution.....	1280x800 (WXGA)
Pixel density.....	124.75 PPI
Aspect ratio .....	16:10
Color depth.....	24 bit, 16.7 million colors
Transparency .....	8 bit alpha channel
Brightness .....	340 nits (cd/m <sup>2</sup> )
Contrast.....	1000:1
Backlight.....	LED
Viewing angle.....	±85° horizontal, ±85° vertical
Touch screen .....	Capacitive

#### Memory

RAM .....	2 GB
Storage.....	8 GB

#### XTP® – Interconnection between transmitter and receiver

Termination standard.....	TIA/EIA T568A or T568B
Signal transmission distance .....	330' (100m) using CAT 5e/6/7 UTP or STP cable (24 AWG or better)
Cable requirements.....	Solid conductor, 24 AWG or better
Cable recommendations .....	400 MHz bandwidth, STP (Shielded Twisted Pair)

#### Video input

Resolution range.....	Up to 1080p (HDTV)
Quantity/type.....	1 HDMI (HDCP compliant) 1 XTP®
Connectors.....	1 female HDMI type A 1 female RJ-45 (shared with Ethernet interface)
Horizontal frequency .....	18.75 kHz to 75 kHz
Vertical frequency.....	24 Hz to 75 Hz
Standards .....	DVI 1.0, HDMI 1.4, HDCP 1.4
Audio sampling rate .....	48 kHz

#### Video processing

HDMI pixel data bit depth.....	8, 10, or 12 bits per channel; 165 MHz pixel clock
Colors.....	1 billion (10 bit processing)

#### Ethernet

Connectors.....	1 female RJ-45 connector (shared with XTP video input)
Data rate.....	10/100Base-T, half/full duplex with autodetect
Protocols .....	DHCP, DNS, HTTP, HTTPS, ICMP, IEEE 802.1X, SFTP, SSH, TCP/IP, UDP/IP
Default settings .....	Link speed and duplex level = autodetected IP address = 192.168.254.251 Subnet mask = 255.255.255.0 Default gateway = 0.0.0.0 DHCP = off DNS = 127.0.0.1

# Specifications • TLP Pro 1225TG (Continued)

## Software

Configuration software .....	Global Configurator Plus and Professional, GUI Designer
Programming software.....	Global Scripter
Control apps.....	Extron Control, iGVE
Resource management software.....	GlobalViewer Enterprise, iGVE
Utilities .....	Toolbelt, Embedded web page

## Sensors

Motion sensor .....	On/off
Light sensor.....	Auto/manual

## USB

Quantity/type .....	2 high-speed USB 2.0
Connectors.....	2 USB type A receptacles
Standards.....	USB 2.0, USB 1.1, USB 1.0 compatible
Max. data rates.....	Low speed (1.5 Mbps), full speed (12 Mbps), high speed (480 Mbps)

## Audio output – Speaker

Speaker output .....	2 Stereo, 90 dB Max. SPL @ 0.1m
Frequency response .....	400 Hz to 20 kHz, $\pm 5$ dB
Playback format(s)	
Container format .....	WAV (Microsoft RIFF)
Encoding.....	LPCM (uncompressed)
Bit depth .....	Unsigned 8-bit Signed 16-bit Signed 24-bit Signed 32-bit
Sampling rate .....	Up to 192 kHz
Audio channels.....	Mono or stereo

## Audio output – Line level

Quantity/type .....	1 stereo, unbalanced
Connectors.....	1 female 3.5 mm stereo mini jack; tip (L), ring (R), sleeve (GND)
Impedance.....	50 ohm unbalanced
Gain error.....	$\pm 0.1$ dB channel to channel
Nominal level.....	-10 dBV (316 mVrms)
Maximum level (Hi-Z).....	$>+8.2$ dBV unbalanced at 1% THD+N
Maximum level (600 ohm) .....	$>+7.1$ dBV unbalanced at 1% THD+N

## General

Power supply .....	Not included
Power input requirements .....	12 VDC or Power over Ethernet (802.3at, class 4)
Power consumption – Power injector (PI 140) with XTP	
Device.....	22.5 watts
Device and power injector .....	26.4 watts
Power consumption – Power supply (PS 1230)	
Device.....	20.3 watts
Device and power supply .....	23.8 watts
Auxiliary power output	
USB .....	5 VDC, up to 275 mA on a single port: up to 275 mA total on both USB ports
Temperature/humidity .....	Storage: -4 to +140 °F (-20 to +60 °C) / 10% to 90%, noncondensing Operating: +32 to +104 °F (0 to +40 °C) / 10% to 90%, noncondensing
Cooling .....	Convection, vents on top, bottom, and rear

# Specifications • TLP Pro 1225TG (Continued)

Thermal dissipation — Power injector (PI 140) with XTP

Device ..... 72.1 BTU/hr

Device and power injector ..... 85.3 BTU/hr

Thermal dissipation — Power supply (PS 1230)

Device ..... 64.5 BTU/hr

Device and power supply ..... 76.5 BTU/hr

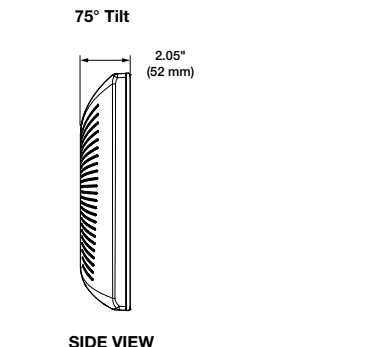
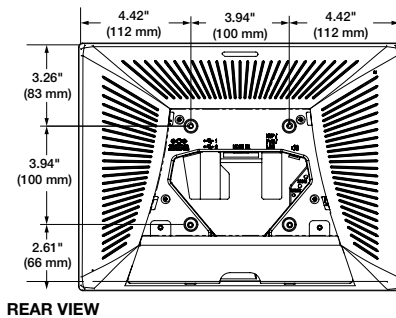
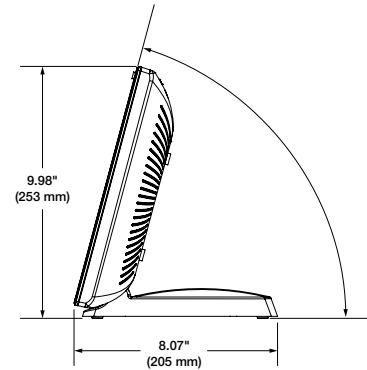
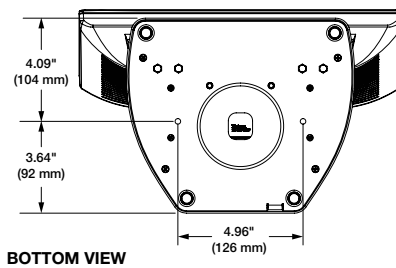
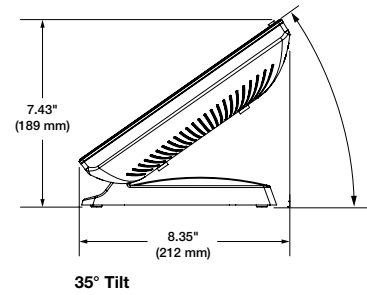
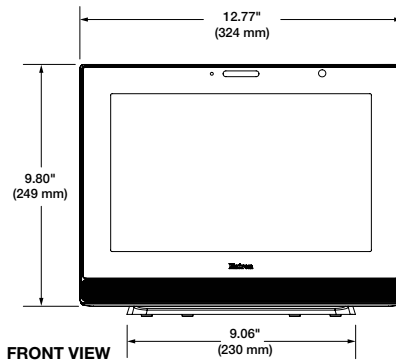
Mounting

Furniture ..... Set on tabletop or mount to optional VESA D 100 mm panel mount kit

Adjustment ranges ..... Tilts through 40° range

Enclosure type ..... Plastic

Enclosure dimensions ..... 9.8" H x 12.8" W x 2.6" D  
 (249 mm H x 324 mm W x 65 mm D)  
 (Maximum height and depth depend on angle of tilt.)



## Specifications • TLP Pro 1225TG (Continued)

Product weight .....	10.98 lbs (4.98 kg)
Regulatory compliance.....	CE, C-Tick, FCC Class B, ICES, VCCI, c-UL, UL, RoHS, and WEEE
Product warranty .....	3 years parts and labor Touchpanel display and overlay components are covered for 1 year

**NOTE:** All nominal levels are at  $\pm 10\%$ .

**NOTE:** Specifications are subject to change without notice.

**NOTE:** Shipping weights and dimensions are available at [www.extron.com](http://www.extron.com).

5069-D2