

Specifications

TLP Pro 1725TG

Display

Screen type	TFT Active matrix color LCD
Size	17.3" (440 mm), measured diagonally
Resolution.....	1920x1080 (FHD)
Pixel density.....	127.34 PPI
Aspect ratio	16:9
Color depth.....	24 bit, 16.7 million colors
Transparency	8 bit alpha channel
Brightness	340 nits (cd/m2)
Contrast.....	600:1
Backlight.....	LED
Viewing angle.....	±80° horizontal, +80°/-60° vertical
Touch screen	Capacitive

Memory

RAM	2 GB
Storage.....	8 GB

XTP® – Interconnection between transmitter and receiver

Termination standard.....	TIA/EIA T568A or T568B
Signal transmission distance	330' (100m) using CAT 5e/6/7 UTP or STP cable (24 AWG or better)
Cable requirements.....	Solid conductor, 24 AWG or better
Cable recommendations	400 MHz bandwidth, STP (Shielded Twisted Pair)

Video input

Resolution range.....	Up to 1080p (HDTV)
Quantity/type.....	1 HDMI (HDCP compliant) 1 XTP®
Connectors.....	1 female HDMI type A 1 female RJ-45 (shared with Ethernet interface)
Horizontal frequency	18.75 kHz to 75 kHz
Vertical frequency.....	24 Hz to 75 Hz
Standards	DVI 1.0, HDMI 1.4, HDCP 1.4
Audio sampling rate	48 kHz

Video processing

HDMI pixel data bit depth.....	8, 10, or 12 bits per channel; 165 MHz pixel clock
Colors.....	1 billion (10 bit processing)

Ethernet

Connectors.....	1 female RJ-45 connector (shared with XTP video input)
Data rate.....	10/100Base-T, half/full duplex with autodetect
Protocols	DHCP, DNS, HTTP, HTTPS, ICMP, IEEE 802.1X, SFTP, SSH, TCP/IP, UDP/IP
Default settings	Link speed and duplex level = autodetected IP address = 192.168.254.251 Subnet mask = 255.255.255.0 Default gateway = 0.0.0.0 DHCP = off DNS = 127.0.0.1

Specifications • TLP Pro 1725TG (Continued)

Software

Configuration software	Global Configurator Plus and Professional, GUI Designer
Programming software.....	Global Scripter
Control apps.....	Extron Control, iGVE
Resource management software.....	GlobalViewer Enterprise, iGVE
Utilities	Toolbelt, Embedded web page

Sensors

Motion sensor	On/off
Light sensor.....	Auto/manual

USB

Quantity/type	2 high-speed USB 2.0
Connectors.....	2 USB type A receptacles
Standards.....	USB 2.0, USB 1.1, USB 1.0 compatible
Max. data rates.....	Low speed (1.5 Mbps), full speed (12 Mbps), high speed (480 Mbps)

Audio output – Speaker

Speaker output	2 Stereo, 90 dB Max. SPL @ 0.1m
Frequency response	400 Hz to 20 kHz, ± 5 dB
Playback format(s)	
Container format	WAV (Microsoft RIFF)
Encoding.....	LPCM (uncompressed)
Bit depth	Unsigned 8-bit Signed 16-bit Signed 24-bit Signed 32-bit
Sampling rate	Up to 192 kHz
Audio channels.....	Mono or stereo

Audio output – Line level

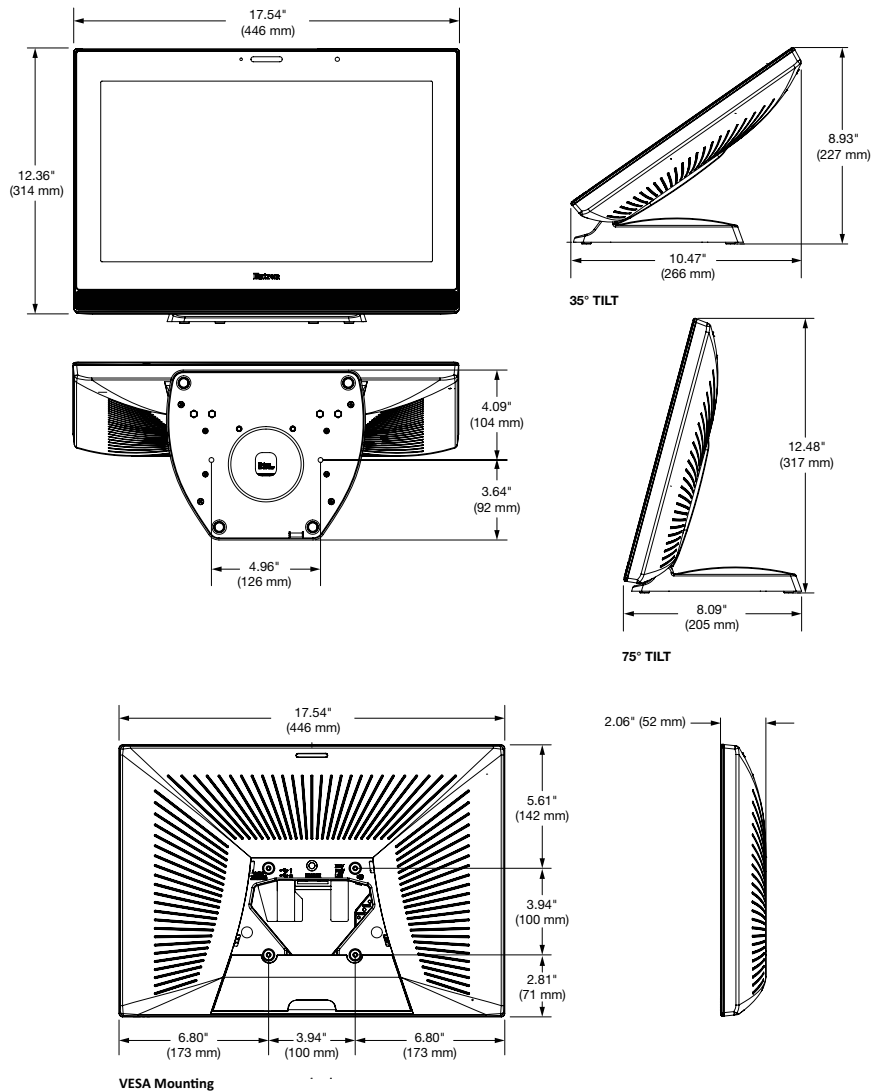
Quantity/type	1 stereo, unbalanced
Connectors.....	1 female 3.5 mm stereo mini jack; tip (L), ring (R), sleeve (GND)
Impedance.....	50 ohm unbalanced
Gain error.....	± 0.1 dB channel to channel
Nominal level.....	-10 dBV (316 mVrms)
Maximum level (Hi-Z).....	$>+8.2$ dBV unbalanced at 1% THD+N
Maximum level (600 ohm)	$>+7.1$ dBV unbalanced at 1% THD+N

General

Power supply	Extron PI 140 included 12 VDC power supply not included
Power input requirements	12 VDC or Power over Ethernet (802.3bt, class 5)
Power consumption – Power injector (PI 140) with XTP	
Device	TBD watts
Device and power injector	TBD watts
Power consumption – Power supply (PS 1230)	
Device	TBD watts
Device and power supply	TBD watts
Auxiliary power output	
USB	5 VDC, up to 275 mA on a single port: up to 275 mA total on both USB ports
Temperature/humidity	Storage: -22 to +167 °F (-30 to +75 °C) / 5% to 95%, noncondensing Operating: +32 to +158 °F (0 to + 70 °C) / 5% to 95%, noncondensing

Specifications • TLP Pro 1725TG (Continued)

- Cooling Convection, vents on top, bottom, and rear
- Thermal dissipation — Power injector (PI 140) with XTP
 - Device TBD BTU/hr
 - Device and power injector TBD BTU/hr
- Thermal dissipation — Power supply (PS 1230)
 - Device TBD BTU/hr
 - Device and power supply TBD BTU/hr
- Mounting
 - Furniture Set on tabletop or mount to optional VESA D 100 mm panel mount kit
 - Adjustment ranges Tilts through 40° range
- Enclosure type Plastic
- Enclosure dimensions 12.48" H x 17.54" W x 10.47" D
 (317 mm H x 446 mm W x 266 mm D)
 (Maximum height includes base. Total height and depth depend on screen tilt.)



Specifications • TLP Pro 1725TG (Continued)

Product weight	15.8 lbs (7.17 kg)
Regulatory compliance.....	CE, C-Tick, FCC Class B, ICES, VCCI, c-UL, UL, RoHS, and WEEE
Product warranty	3 years parts and labor Touchpanel display and overlay components are covered for 1 year

NOTE: All nominal levels are at $\pm 10\%$.

NOTE: Specifications are subject to change without notice.

NOTE: Shipping weights and dimensions are available at www.extron.com.

5067-D1