



A901-R-TB

Tile Bridge Kit for MXA901-R Microphones

Table of Contents

A901-R-TB Tile Bridge Kit for MXA901-R Microphones	3	Compatible Microphones	4
A901-R-TB Tile Bridge Kit	3	Install the A901-R-TB Tile Bridge	4
What's in the Box	3	Important Safety Instructions	10

A901-R-TB Tile Bridge Kit for MXA901-R Microphones

A901-R-TB Tile Bridge Kit

The A901-R-TB tile bridge kit includes accessories to install an MXA901-R microphone in a standard tile grid ceiling. The tile bridge rests on the ceiling grid's T-bars above the tile and the ceiling mount installs in the tile bridge. When finished, the microphone sits nearly flush with the ceiling.

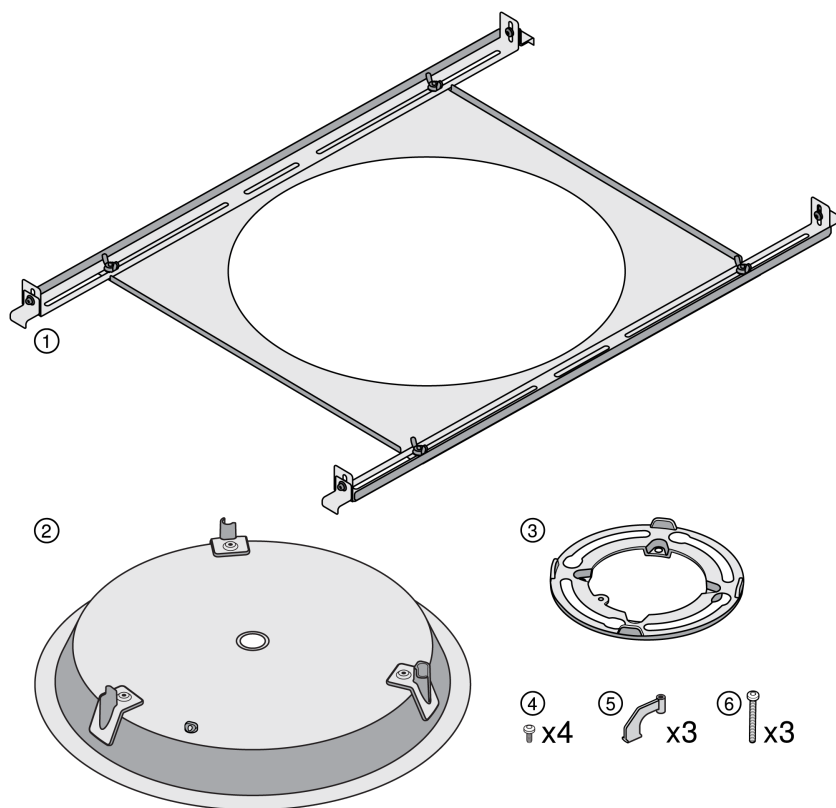
If needed, you can paint the white trim of the ceiling mount.

- MXA901B-R comparable color: Pantone 10399 C
- MXA901AL-R comparable color: Pantone Silver C

What's in the Box

A901-R-TB kit:

1. Tile bridge
2. Ceiling mount
3. Round VESA bracket
4. M4 screws (4)
5. Support arms (3)
6. M4x40 screws (3)



Compatible Microphones

This accessory works with MXA901-R series microphones.

Install the A901-R-TB Tile Bridge

The A901-R-TB is an easy way to install MXA901-R microphones in standard tile grid ceilings. Install the tile bridge on the T-bars, then install the ceiling mount and microphone. The tile bridge fits 24 in. and 60 cm tile grids.

Before installation, confirm that the mounting surface meets these requirements:

- Thickness: 0.375 to 1.25 in. (9.5 to 31.75 mm)
- Minimum of 2.5 in. (63.5 mm) of open space behind the ceiling and any other structure

Refer to local regulations for any plenum or seismic tie-off requirements.

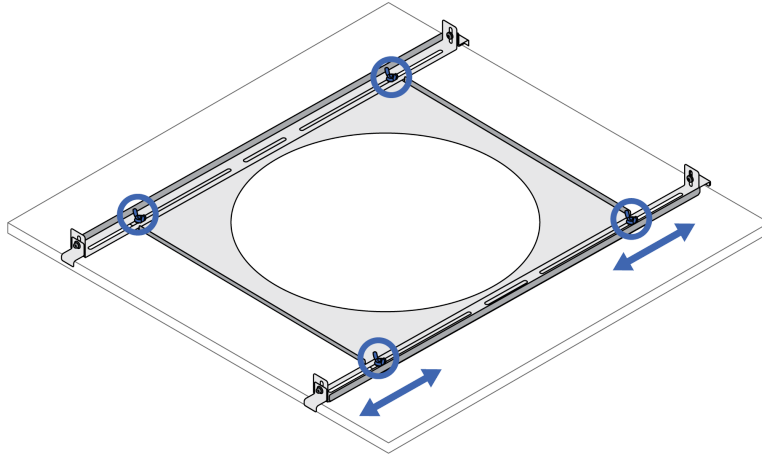
To get started, you will need:

- Tile bridge kit
- Tool to cut ceiling tile*
- Screwdriver with Torx T20 head*
- Ethernet cable*

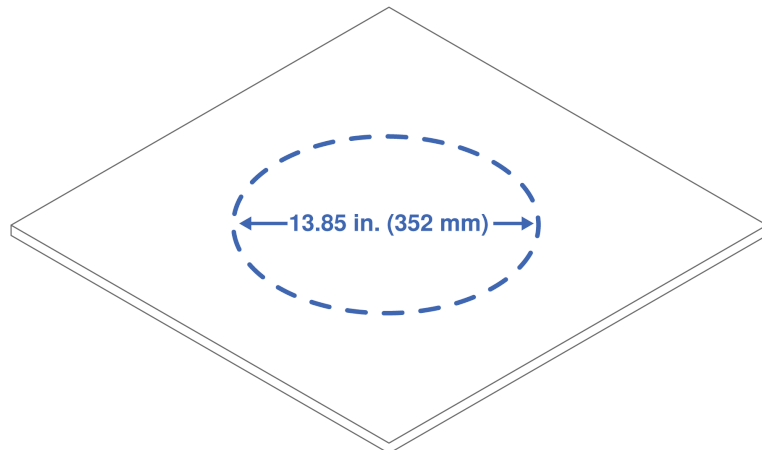
*Not included

Step 1: Install the Tile Bridge

1. Remove the tile from the ceiling grid and place the tile bridge on top. Loosen the washers to adjust the horizontal position on the tile as needed.

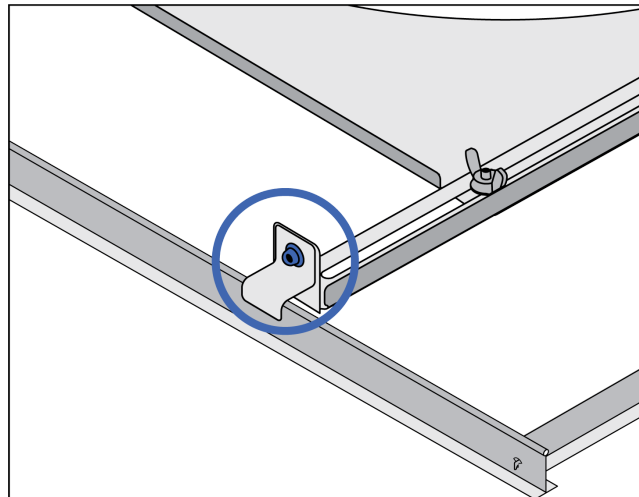


2. Use the tile bridge as a guide to cut a hole in the tile. Opening size: 13.85 in. (352 mm)



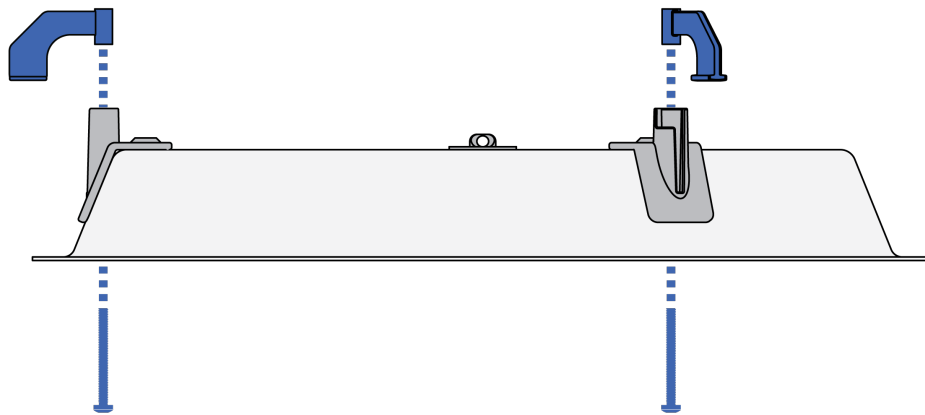
3. Reinstall the tile with the tile bridge on top. Loosen the 4 screws at the corners to adjust the vertical position so that it sits directly on top of the tile.

Tip: Remove an adjacent tile for easier access.

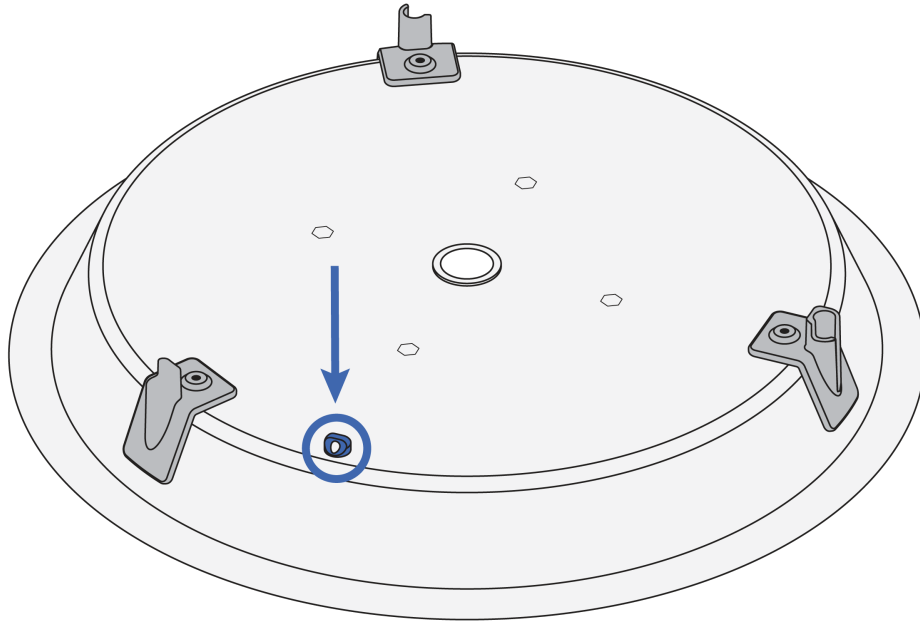


Step 2: Install the Ceiling Mount in the Tile Bridge

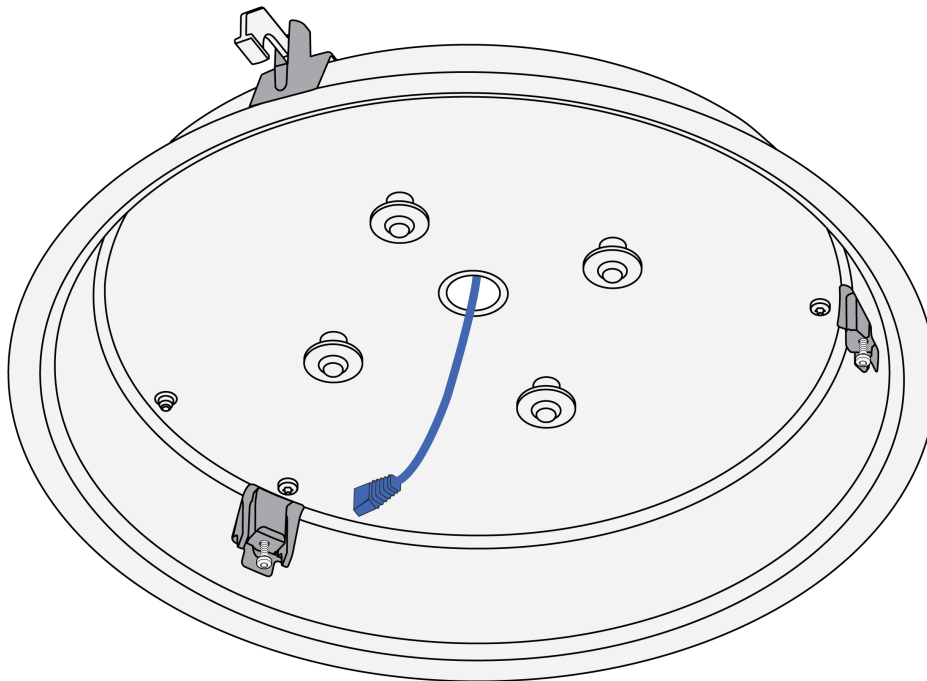
1. Install the 3 support arms on the ceiling mount using the 3 included M4x40 screws. Turn the support arms to be parallel to the ceiling mount for installation.



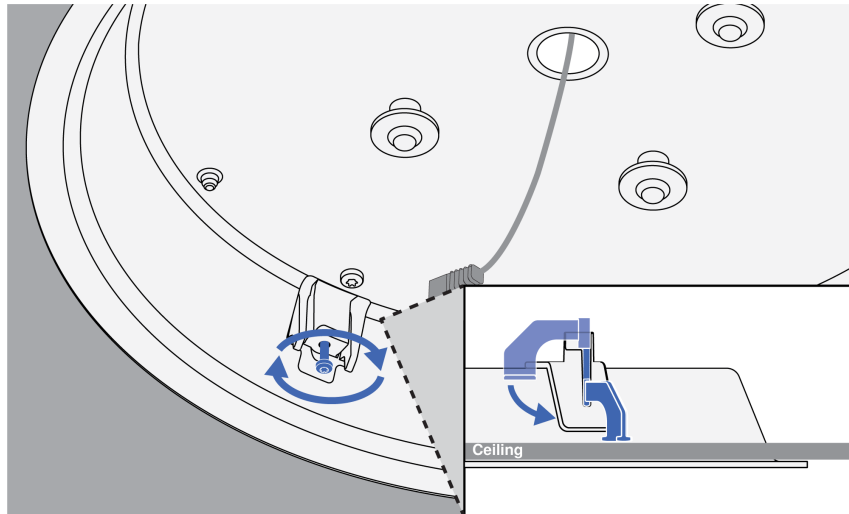
2. If using, attach a safety tether between the building structure and the seismic tie-off point using braided metal cable or other high-strength wire (not included). Follow any local regulations.



3. Route the Ethernet cable through the center of the ceiling mount. If required, connect conduit and pull the Ethernet cable through the ceiling mount.

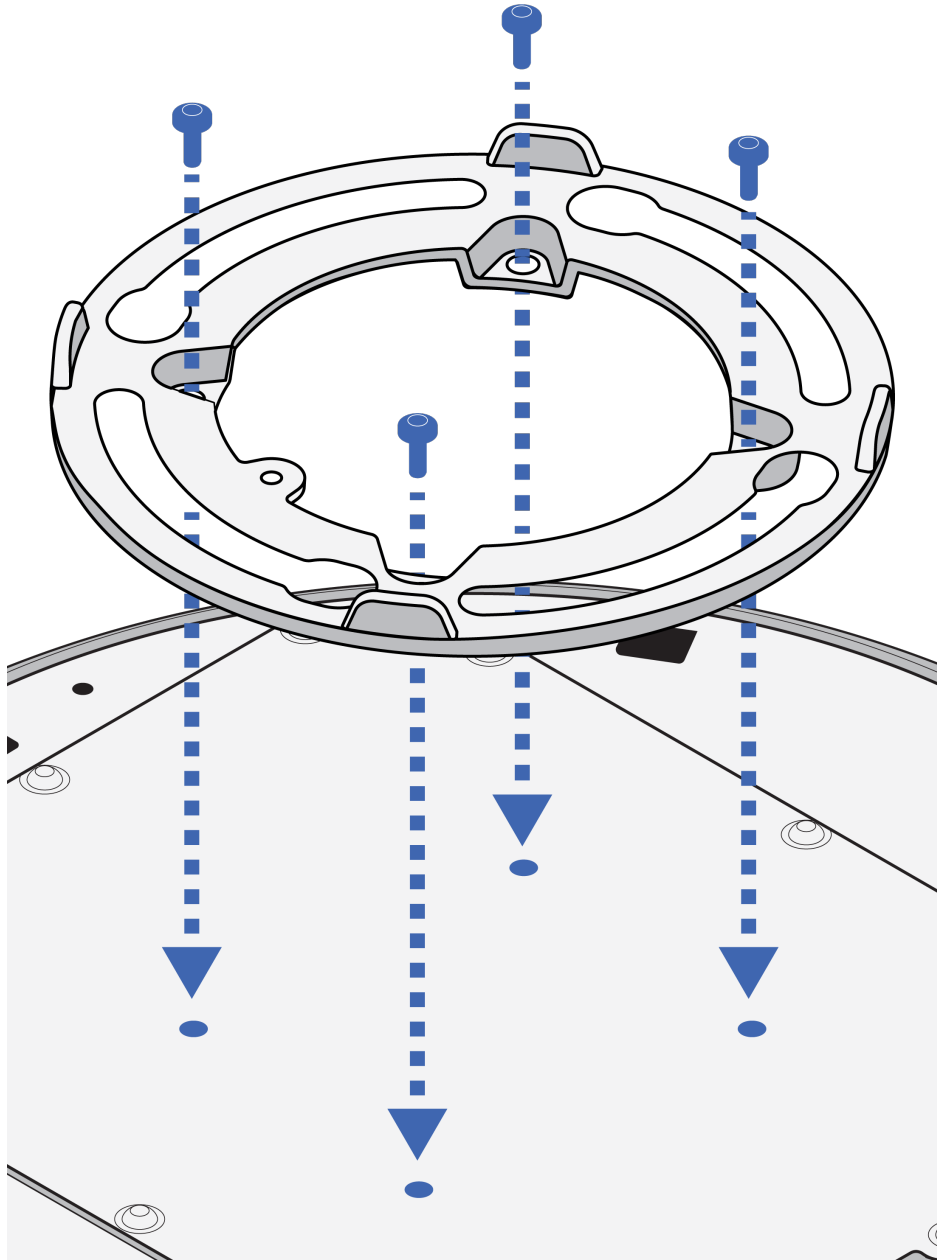


4. Place the ceiling mount in the ceiling. Hold the ceiling mount in place and tighten the 3 screws on the bottom until snug. These screws turn the support arms so they can grip the tile and tile bridge. Do not overtighten.

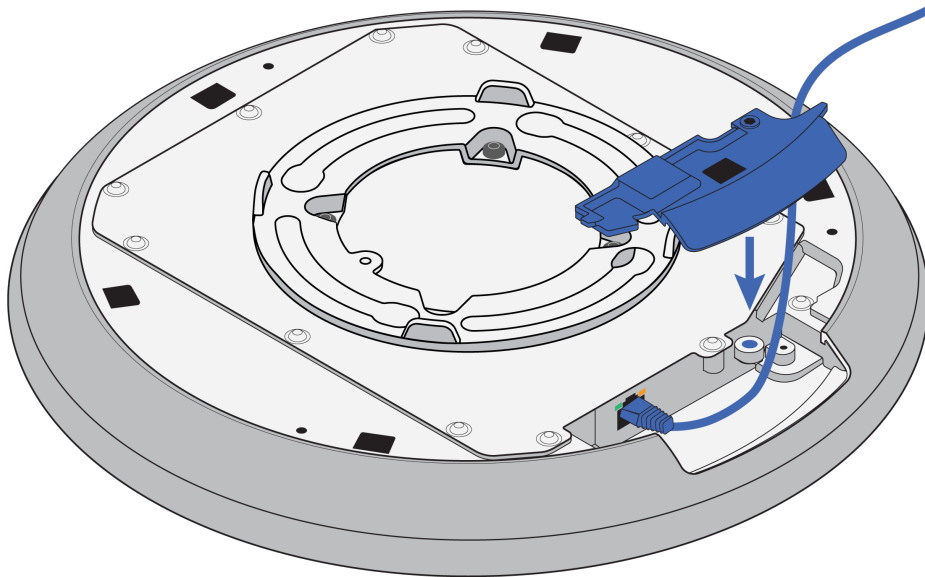


Step 3: Install the MXA901-R in the Ceiling Mount

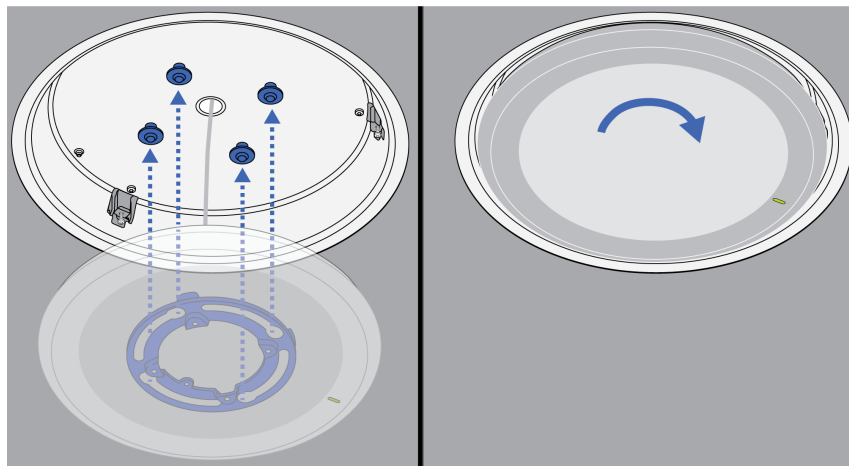
1. Attach the round VESA bracket to the microphone using the 4 included M4 screws.



2. Connect the Ethernet cable to the microphone and install the network port cover.



3. Align the 4 openings on the round VESA bracket with the 4 posts on the ceiling mount. Lift the microphone into the ceiling mount and turn it to the right until it's fully secured.



Tip: The microphone rotates 90° clockwise to lock into position. Use this as a guide to plan how to orient the mute status LED in your space.

4. To remove the microphone from the ceiling mount, turn it all the way to the left and lift it down.

To adjust the microphone's LED position:



1. Remove the microphone from the ceiling mount.
2. Slightly loosen the 3 screws on the ceiling mount.
3. Rotate the ceiling mount to the desired position and tighten the screws. Reinstall the microphone to check the LED's position. Repeat as needed.

Important Safety Instructions

1. READ these instructions.
2. KEEP these instructions.
3. HEED all warnings.
4. FOLLOW all instructions.
5. DO NOT use this apparatus near water.
6. CLEAN ONLY with dry cloth.
7. DO NOT block any ventilation openings. Allow sufficient distances for adequate ventilation and install in accordance with the manufacturer's instructions.
8. DO NOT install near any heat sources such as open flames, radiators, heat registers, stoves, or other apparatus (including amplifiers) that produce heat. Do not place any open flame sources on the product.
9. DO NOT defeat the safety purpose of the polarized or grounding type plug. A polarized plug has two blades with one wider than the other. A grounding type plug has two blades and a third grounding prong. The wider blade or the third prong are provided for your safety. If the provided plug does not fit into your outlet, consult an electrician for replacement of the obsolete outlet.
10. PROTECT the power cord from being walked on or pinched, particularly at plugs, convenience receptacles, and the point where they exit from the apparatus.
11. ONLY USE attachments/accessories specified by the manufacturer.
12. USE only with a cart, stand, tripod, bracket, or table specified by the manufacturer, or sold with the apparatus. When a cart is used, use caution when moving the cart/apparatus combination to avoid injury from tip-over.



13. UNPLUG this apparatus during lightning storms or when unused for long periods of time.
14. REFER all servicing to qualified service personnel. Servicing is required when the apparatus has been damaged in any way, such as power supply cord or plug is damaged, liquid has been spilled or objects have fallen into the apparatus, the apparatus has been exposed to rain or moisture, does not operate normally, or has been dropped.
15. DO NOT expose the apparatus to dripping and splashing. DO NOT put objects filled with liquids, such as vases, on the apparatus.
16. The MAINS plug or an appliance coupler shall remain readily operable.
17. The airborne noise of the Apparatus does not exceed 70dB (A).
18. Apparatus with CLASS I construction shall be connected to a MAINS socket outlet with a protective earthing connection.
19. To reduce the risk of fire or electric shock, do not expose this apparatus to rain or moisture.
20. Do not attempt to modify this product. Doing so could result in personal injury and/or product failure.
21. Operate this product within its specified operating temperature range.
22. Follow local regulations and consult qualified personnel if the product installation or relocation requires construction work. Choose mounting hardware and an installation location that can support the weight of the product. Avoid locations subject to constant vibration. Use the required tools to install the product properly. Inspect the product periodically.

	This symbol indicates that dangerous voltage constituting a risk of electric shock is present within this unit.
	This symbol indicates that there are important operating and maintenance instructions in the literature accompanying this unit.

Registration, Evaluation, Authorization of Chemicals (REACH) Directive

REACH (Registration, Evaluation, Authorization of Chemicals) is the European Union (EU) and the United Kingdom (UK) chemical substances regulatory framework. Information on substances of very high concern contained in Shure products in a concentration above 0.1% weight over weight (w/w) is available upon request.

Please consider the environment, electric products and packaging are part of regional recycling schemes and do not belong to regular household waste.