



A901-R-PM

Pole Mount Kit for Ceiling Array Microphones

Shure A901-R-PM Mounting Kit user guide
Version: 0.1 (2024-A)

Table of Contents

A901-R-PM Pole Mount Kit for Ceiling Array Microphones	3	Compatible Microphones	5
A901-R-PM Pole Mount Kit	3	Attach Microphones to 1.5-in. Threaded NPT Pole	5
What's in the Box	3	Attach Microphones to 3/8-in. Threaded Rod	10
		Important Safety Instructions	14

A901-R-PM Pole Mount Kit for Ceiling Array Microphones

A901-R-PM Pole Mount Kit

Shure's A901-R-PM Pole Mount Kit includes parts to install compatible microphones on 1.5-inch diameter threaded NPT poles or 3/8-inch diameter threaded rod (pole and threaded rod not included). The kits have 2 size options and 2 color options to fit your installation.

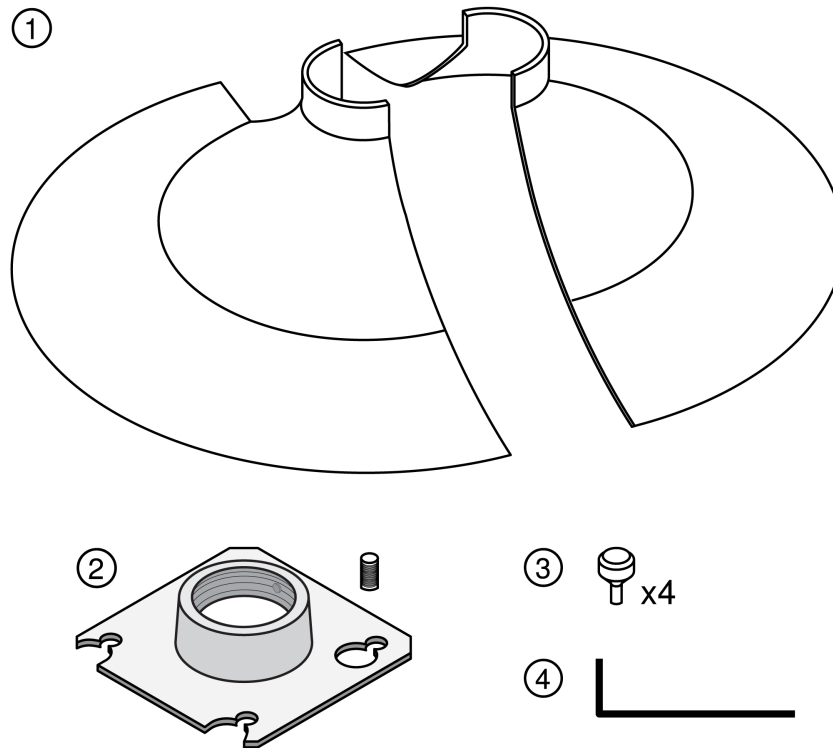
Model Variations

- A901W-R-PM-1.5IN: 1.5 in. pole mount kit with white cover
- A901B-R-PM-1.5IN: 1.5 in. pole mount kit with black cover
- A901W-R-PM-3/8IN: 3/8 in. pole mount kit with white cover
- A901B-R-PM-3/8IN: 3/8 in. pole mount kit with black cover

What's in the Box

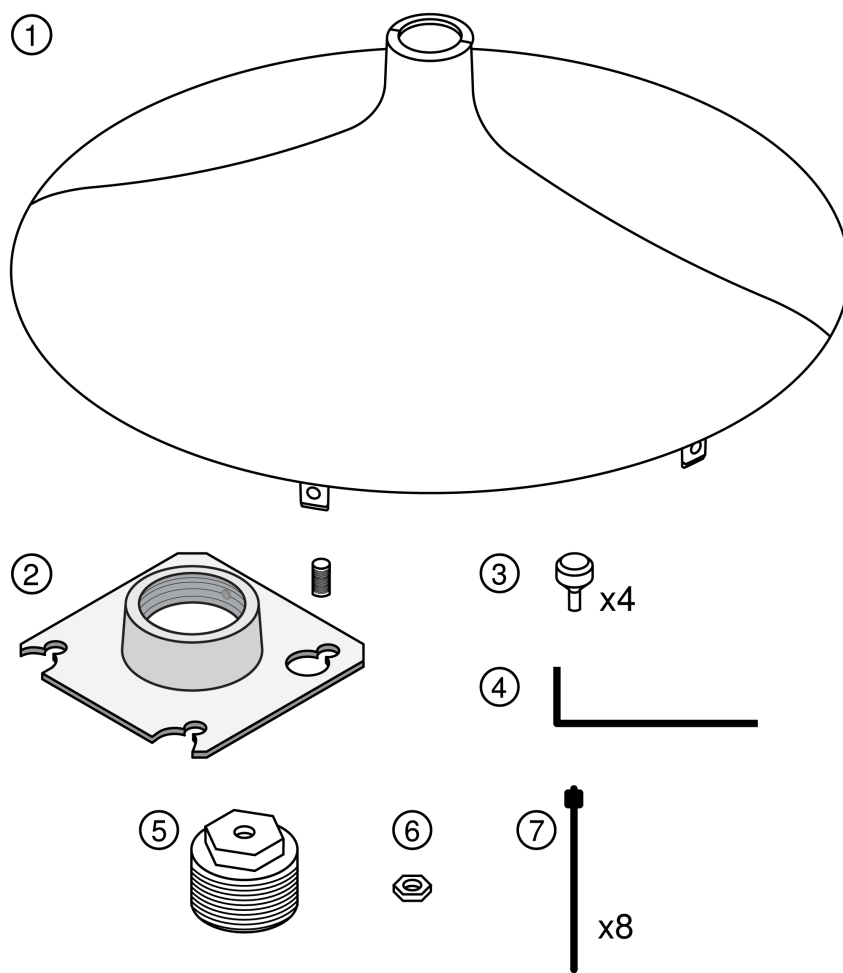
A901-R-PM-1.5IN kit:

1. Pole mount cover (black or white)
2. VESA bracket and set screw
3. Thumb screws (4)
4. Hex key (M4)



A901-R-PM-3/8IN kit:

1. Threaded rod cover (black or white)
2. VESA bracket and set screw
3. Thumb screws (4)
4. Hex key (M4)
5. 3/8-in. adapter
6. Jam nut
7. Cable ties (8)



Compatible Microphones

This accessory works with MXA901-R series microphones.

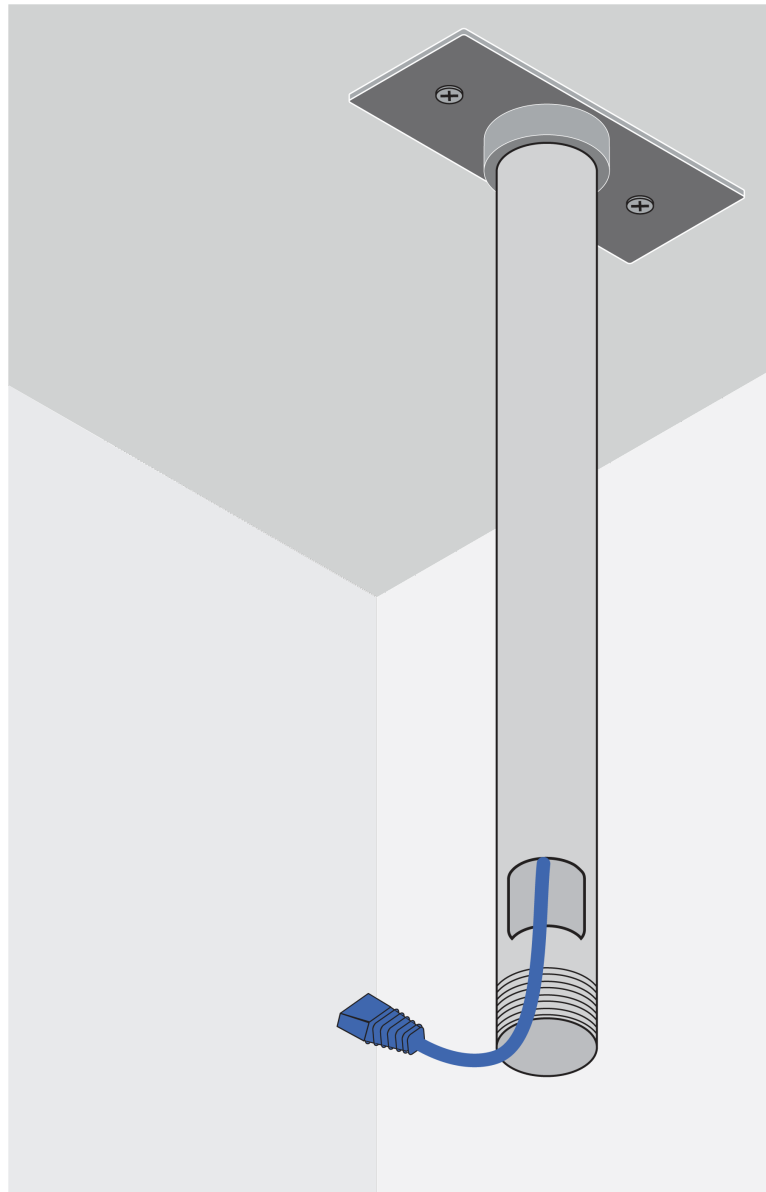
Attach Microphones to 1.5-in. Threaded NPT Pole

To get started, you will need:

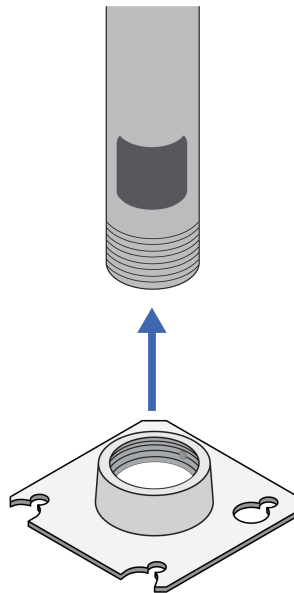
- A901-R-PM-1.5IN kit
- 1.5-in. diameter threaded NPT pole and accessory to install pole on ceiling*
 - Must include cable exit
 - Adjustable extension poles with a larger bottom diameter may not fit the pole mount cover
- Ethernet cable*

*Not included

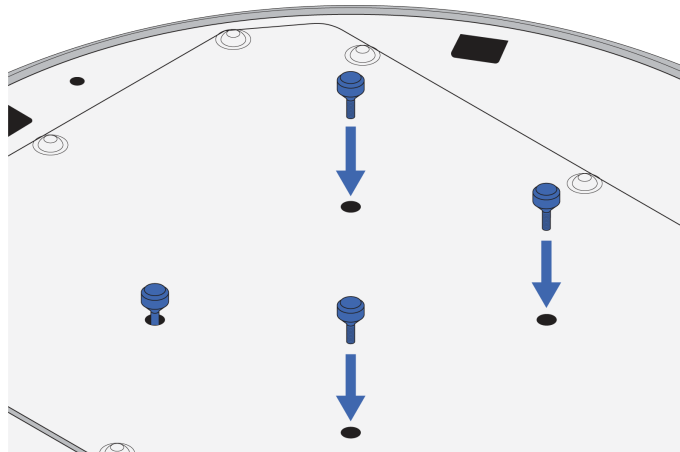
1. Install the mounting accessory for the pole on the ceiling according to the manufacturer's instructions. Route the Ethernet cable through the ceiling plate and the pole. Thread the pole onto the ceiling plate.



2. Thread the VESA bracket onto the pole.



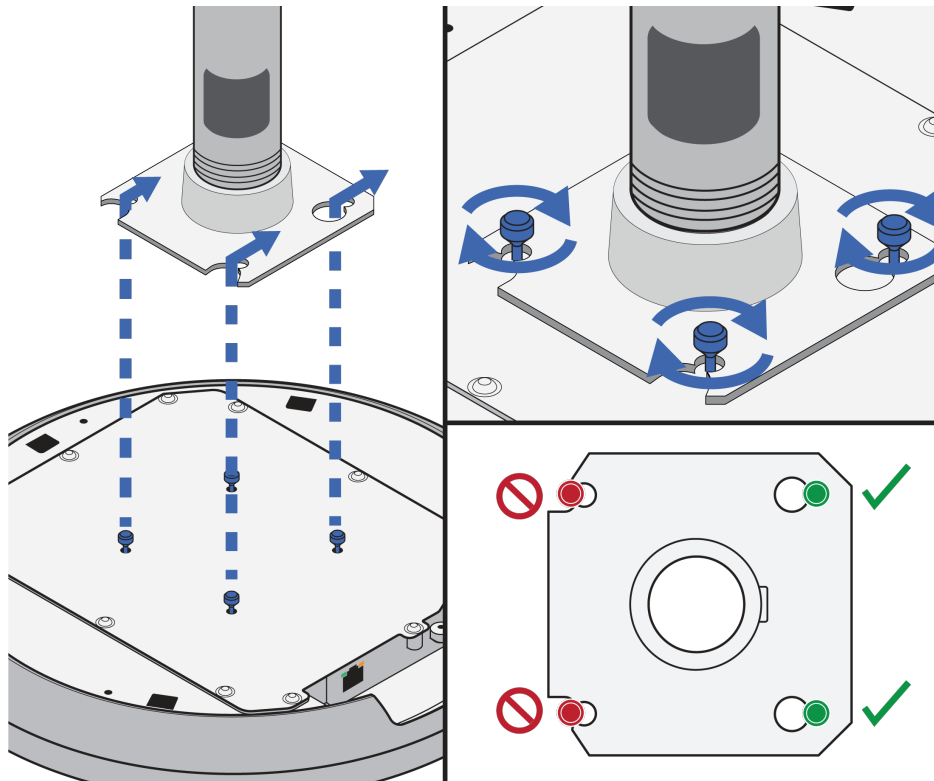
3. Partially thread the thumb screws into the microphone.



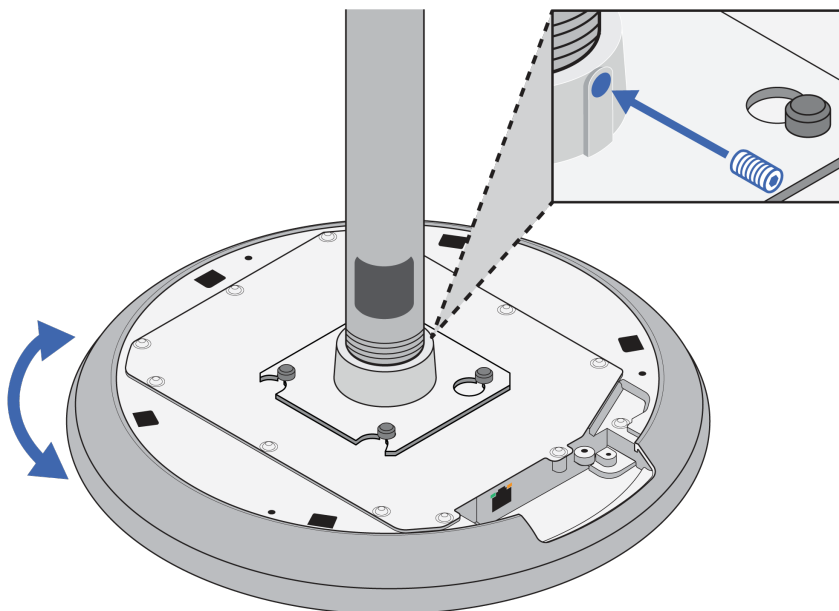
4. Lift the microphone and align the thumb screws with the holes in the VESA bracket. Tighten the thumb screws to secure the microphone to the VESA bracket.

Important: Before tightening, make sure that the thumb screws are properly seated in the VESA bracket.

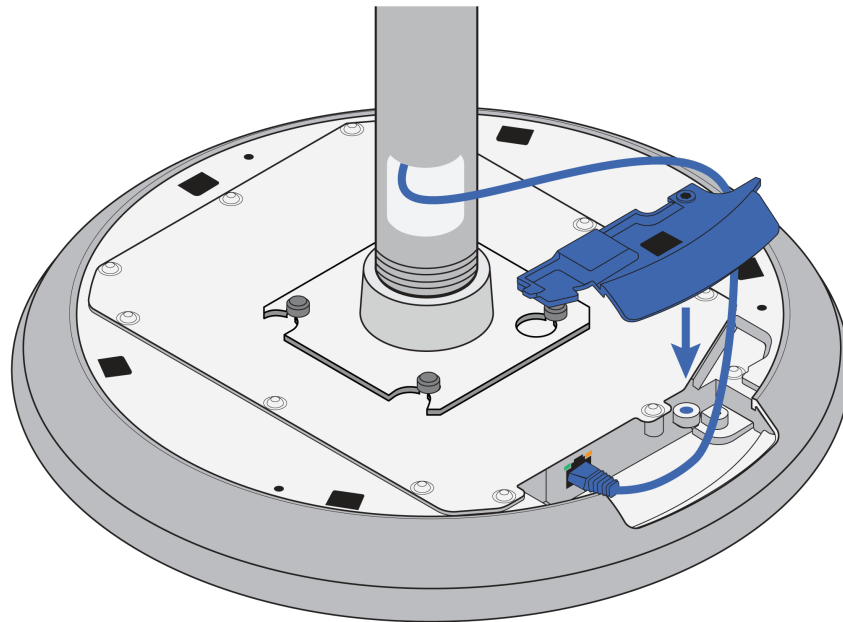
When installing on short poles, it's easiest to check alignment from the side with the enclosed keyholes.



5. Rotate the microphone to your preferred position. Tighten the VESA bracket's set screw with the hex key to lock the position.

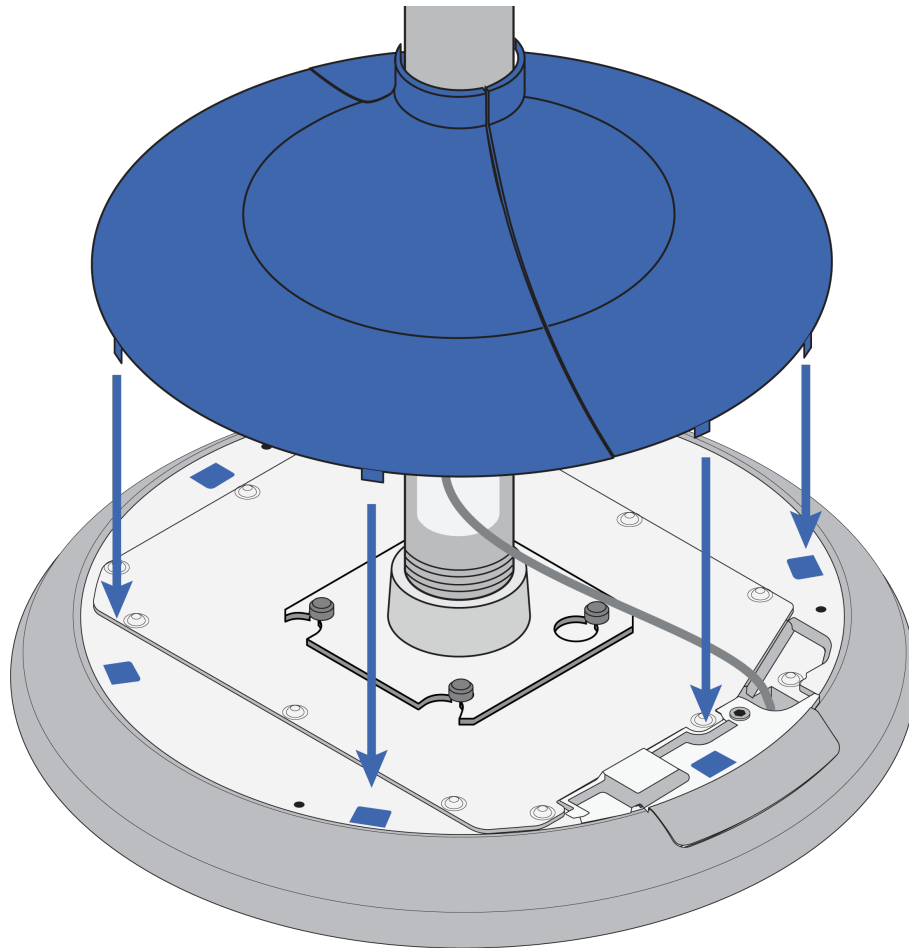


6. Connect the Ethernet cable to the microphone and install the network port cover.



7. Snap together the 2 halves of the pole mount cover around the pole. Attach the pole mount cover to the microphone. The cover's 6 clips snap into the 6 square holes on the microphone.

Tip: To remove the cover, gently lift up near the top.



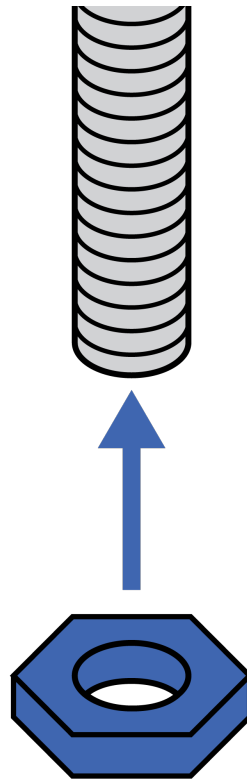
Attach Microphones to 3/8-in. Threaded Rod

To get started, you will need:

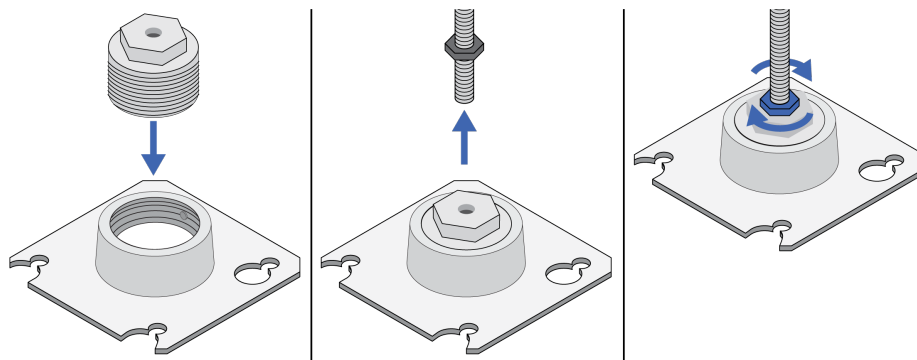
- A901-R-PM-3/8IN kit
- 3/8-in. diameter threaded rod and hardware to attach to ceiling*
- Ethernet cable*

*Not included

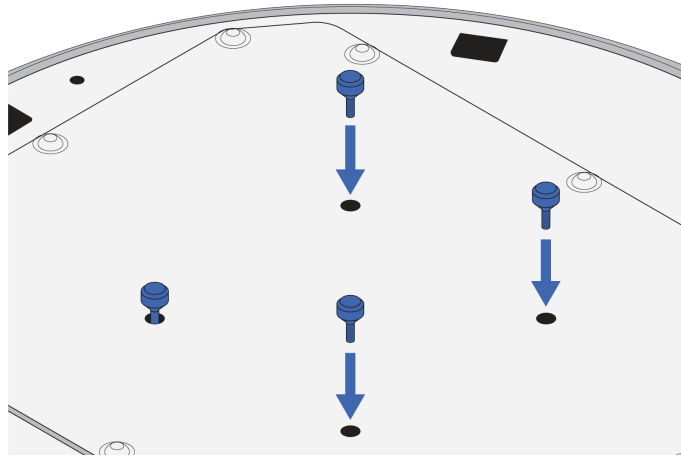
1. Install the threaded rod on the ceiling according to manufacturer's instructions. Route the Ethernet cable down the side of the threaded rod.
2. Thread the jam nut onto the threaded rod.



3. Attach the 3/8-in. adapter to the VESA bracket. Thread the VESA bracket onto the threaded rod. Using a wrench, tighten the jam nut against the 3/8-in. adapter.

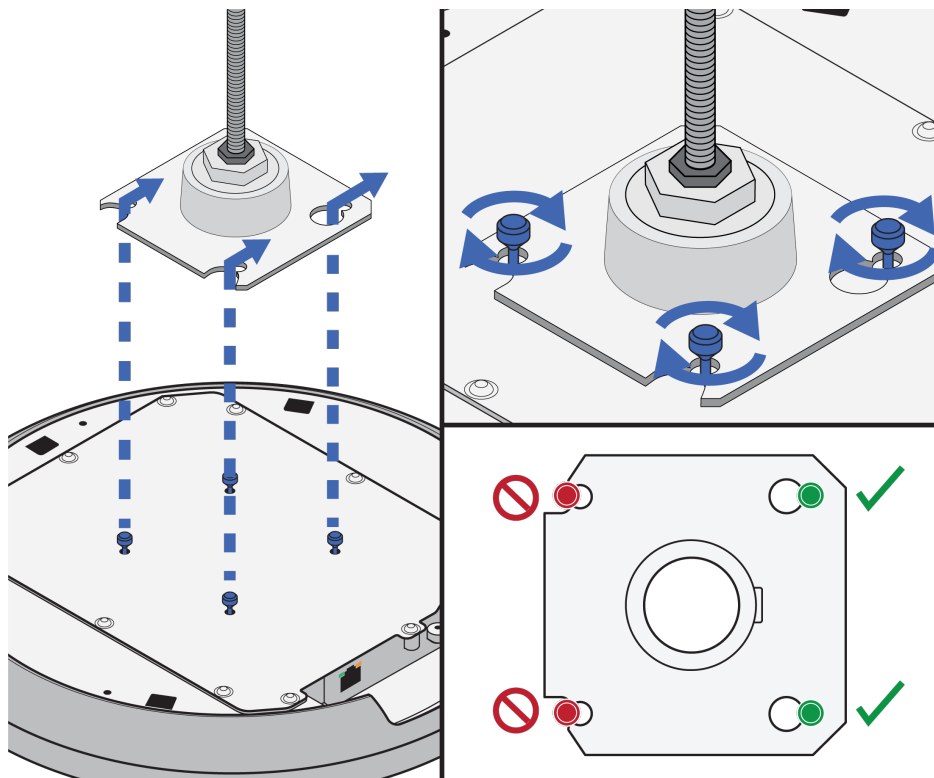


4. Partially thread the thumb screws into the microphone.

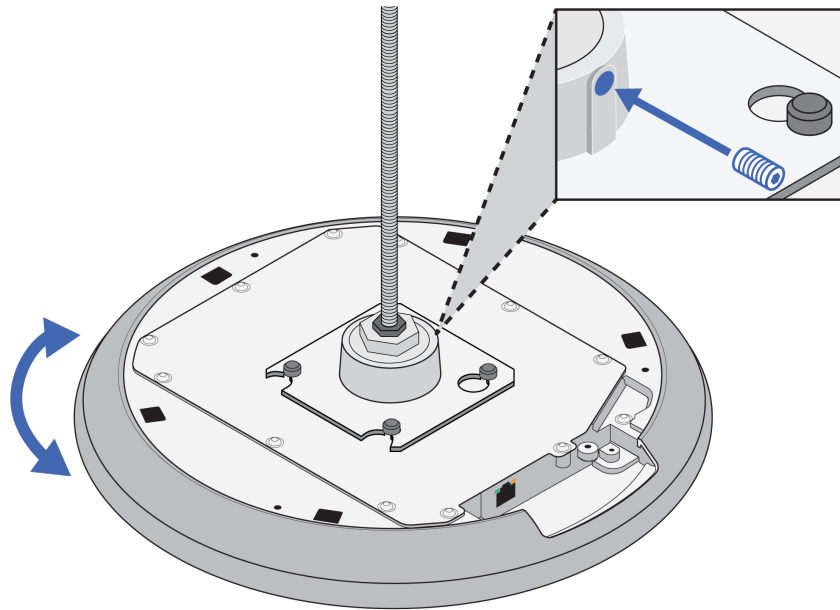


5. Lift the microphone and align the thumb screws with the holes in the VESA bracket. Tighten the thumb screws to secure the microphone to the VESA bracket.

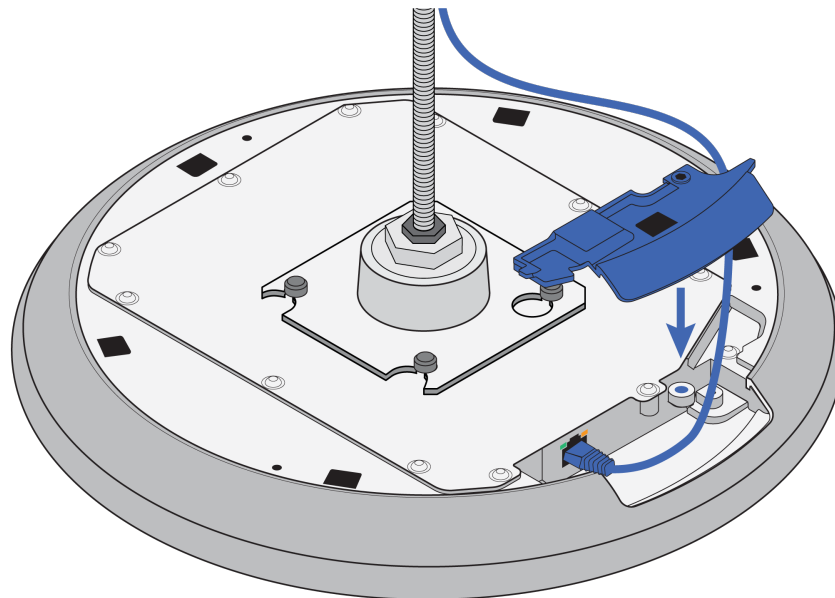
Important: Before tightening, make sure that the thumb screws are properly seated in the VESA bracket.



6. Rotate the microphone to your preferred position. Tighten the VESA bracket's set screw with the hex key to lock the position.

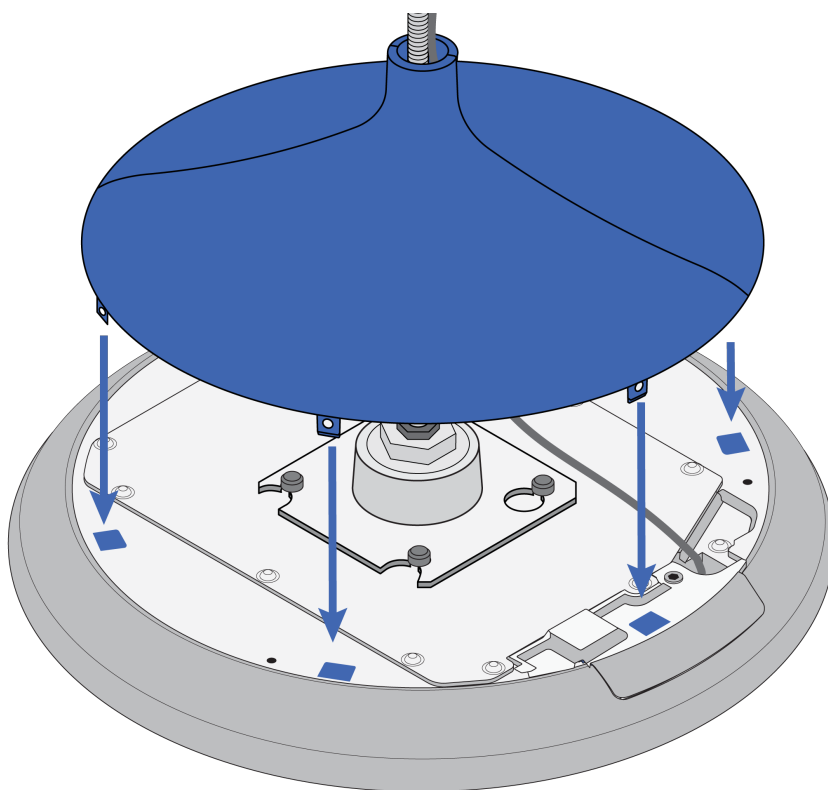


7. Connect the Ethernet cable to the microphone and install the network port cover. Secure the Ethernet cable to the threaded rod with the cable ties.



8. Snap together the 2 halves of the cover around the threaded rod. Attach the cover to the microphone. The cover's 6 clips snap into the 6 square holes on the microphone.

Tip: To remove the cover, gently lift up near the top.





Important Safety Instructions

1. READ these instructions.
2. KEEP these instructions.
3. HEED all warnings.
4. FOLLOW all instructions.
5. DO NOT use this apparatus near water.
6. CLEAN ONLY with dry cloth.
7. DO NOT block any ventilation openings. Allow sufficient distances for adequate ventilation and install in accordance with the manufacturer's instructions.
8. DO NOT install near any heat sources such as open flames, radiators, heat registers, stoves, or other apparatus (including amplifiers) that produce heat. Do not place any open flame sources on the product.
9. DO NOT defeat the safety purpose of the polarized or grounding type plug. A polarized plug has two blades with one wider than the other. A grounding type plug has two blades and a third grounding prong. The wider blade or the third prong are provided for your safety. If the provided plug does not fit into your outlet, consult an electrician for replacement of the obsolete outlet.
10. PROTECT the power cord from being walked on or pinched, particularly at plugs, convenience receptacles, and the point where they exit from the apparatus.
11. ONLY USE attachments/accessories specified by the manufacturer.
12. USE only with a cart, stand, tripod, bracket, or table specified by the manufacturer, or sold with the apparatus. When a cart is used, use caution when moving the cart/apparatus combination to avoid injury from tip-over.



13. UNPLUG this apparatus during lightning storms or when unused for long periods of time.
14. REFER all servicing to qualified service personnel. Servicing is required when the apparatus has been damaged in any way, such as power supply cord or plug is damaged, liquid has been spilled or objects have fallen into the apparatus, the apparatus has been exposed to rain or moisture, does not operate normally, or has been dropped.
15. DO NOT expose the apparatus to dripping and splashing. DO NOT put objects filled with liquids, such as vases, on the apparatus.
16. The MAINS plug or an appliance coupler shall remain readily operable.
17. The airborne noise of the Apparatus does not exceed 70dB (A).
18. Apparatus with CLASS I construction shall be connected to a MAINS socket outlet with a protective earthing connection.
19. To reduce the risk of fire or electric shock, do not expose this apparatus to rain or moisture.
20. Do not attempt to modify this product. Doing so could result in personal injury and/or product failure.
21. Operate this product within its specified operating temperature range.
22. Follow local regulations and consult qualified personnel if the product installation or relocation requires construction work. Choose mounting hardware and an installation location that can support the weight of the product. Avoid locations subject to constant vibration. Use the required tools to install the product properly. Inspect the product periodically.

	This symbol indicates that dangerous voltage constituting a risk of electric shock is present within this unit.
	This symbol indicates that there are important operating and maintenance instructions in the literature accompanying this unit.

Registration, Evaluation, Authorization of Chemicals (REACH) Directive

REACH (Registration, Evaluation, Authorization of Chemicals) is the European Union (EU) and the United Kingdom (UK) chemical substances regulatory framework. Information on substances of very high concern contained in Shure products in a concentration above 0.1% weight over weight (w/w) is available upon request.

Please consider the environment, electric products and packaging are part of regional recycling schemes and do not belong to regular household waste.