

ACP 106 MK

AUDIO CONTROL PANEL WITH 6 BUTTONS - MK



The ACP 106 MK is a configurable audio control panel that interfaces with the DMP 128 Plus audio processors. It provides volume adjustments for mixing and zone control, plus preset or macro recall for room configuration. Multiple ACP Series control panels can be installed around a meeting space and linked together. Each panel can be used for independent control of a specific zone or to adjust audio settings for the entire combined space. The ACP 106 MK features six customizable, soft-touch buttons that are backlit for easy operation in low-light environments. It can be configured easily using Extron DSP Configurator Software. The ACP 106 MK mounts into one-gang MK boxes and enclosures for use in the UK, Middle East, Singapore and other regions using MK-type enclosures.

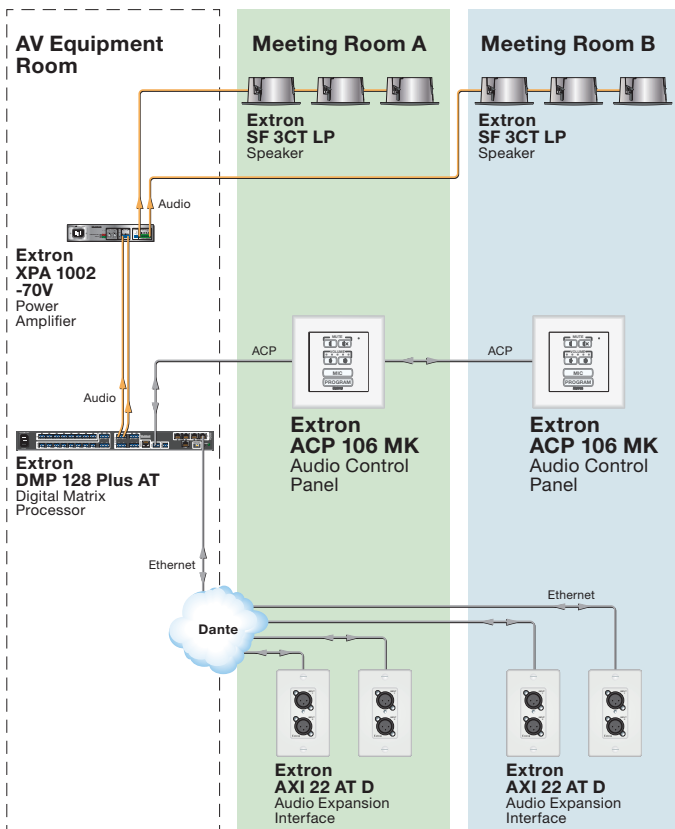
- ▶ Fully customizable button panel integrates easily with an Extron DMP 128 Plus series audio DSP
- ▶ Six customizable, backlit buttons
- ▶ Two ACP ports allow for quick system expansion and upgrades
- ▶ Connects directly to the DMP 128 Plus - No control processor or external power required
- ▶ Use a single audio control panel or link up to eight panels to accommodate a variety of system designs
- ▶ Includes white MK wall frame and mounting bracket

DESCRIPTION

ACP Series audio control panels are ideal for use in applications that require a simple and cost-effective means to control basic audio functions. ACP panels connect to the ACP port on a DMP 128 Plus DSP matrix and no control system is necessary. Mounted in a lectern, an ACP Series control panel can provide easy access to mic volume, program volume, and source selection. Mounted on a wall, the ACP Series provides an easy means of controlling individual and combined speaker zones in divisible meeting spaces.

Multiple ACP Series button panels can be used as ganged audio control points around a meeting space. Individual spaces can each have an ACP panel that functions independently. When multiple spaces are combined, the ACP Series panels in those spaces can function in parallel, adjusting audio functions for the entire combined space. Since they have the same physical appearance as Extron's broad range of MediaLink controllers, ACP Series panels can be used alongside them throughout a facility while preserving a consistent look and user experience. Buttons can be easily customized using the Custom Button Builder.

APPLICATION DIAGRAM



SPECIFICATIONS

ACP CONTROL INTERFACE	
ACP control ports	(2) 3.5 mm captive screw connectors, 4 pole
ACP pin configuration	+V = +12 VDC; +S = + signal; -S = - signal; G = ground
Recommended cable type	Extron STP20-2/1000 or STP20-2P/1000 cable
SOFTWARE CONFIGURATION	
Software	Extron DSP Configurator
GENERAL	
Power	Power is supplied by and ACP processor or optional power supply
ACP power consumption	1.5 watts, 12 VDC (Device only)
Enclosure dimensions	
Plastic faceplate	3.4" H x 3.4" W x 0.4" D (8.6 cm x 8.6 cm x 1 cm)
Metal mounting plate	3.4" H x 3.4" W x 0.6" D (8.5 cm x 8.5 cm x 1.6 cm) (Fits the opening in a 1-gang MK wallplate)
Device	1.8" H x 1.8" W x 0.6" D (4.6 cm x 4.6 cm x 1.6 cm) (Depth excludes faceplate and buttons)
Device and captive screw	1.8" H x 1.8" W x 1" D (4.6 cm x 4.6 cm x 2.6 cm)
Product weight	0.2 lbs (0.1 kg)
Regulatory compliance	
Safety	CE, c-UL, UL
EM/EMC	CE, C-tick, FCC Class A, ICES, VCCI
Environmental	Complies with the appropriate requirements of RoHS, WEEE
Accessibility	Complies with the appropriate requirements of Section 508 of the Rehabilitation Act (29 U.S.C. 794d)
Warranty	3 years parts and labor

Model	Version Description	Part number
ACP 106 MK	1-Gang MK, White, 6 Button	60-1651-03

For complete specifications, please go to www.extron.com
Specifications are subject to change without notice.

WORLDWIDE SALES OFFICES

Anaheim • Raleigh • Silicon Valley • Dallas • New York • Washington, DC • Toronto • Mexico City • Paris • London
Frankfurt • Madrid • Stockholm • Amersfoort • Moscow • Dubai • Johannesburg • Tel Aviv • Sydney • Melbourne
Bangalore • Mumbai • New Delhi • Singapore • Seoul • Shanghai • Beijing • Hong Kong • Tokyo

www.extron.com