



ARTHUR HOLM

Rise

17" professional monitor finished in aluminium, inox or glass,
for wall mount

Ref. AH17R_A/I/G

GENERAL SPECIFICATIONS

LCD Type	17.0" TFT Active Matrix
Cabinet	Available with front in aluminium (A), inox (I), or glass (G)
Controls (*)	Digital rear

DISPLAY

Brightness	250cd/m ²
Contrast ratio	1000:1
Resolution (dots)	1280 (h) x 1024 (v)
Pixel	0.264 (h) x 0.264 (v) mm
Viewing angle	160° (v) / 170° (h)
Viewing area	337.920 (h) x 270.336 (v) mm
Life lamp	50,000 hrs

INPUTS & OUTPUTS (*)

Data input	RGB SubD 15 (1 input), DVI-D (1 input)
-------------------	--

ELECTRICAL

External power supply	100/240 Vac, 50/60Hz - 12Vdc, 6.67A
Power consumption	70W

MECHANICAL

Dimensions	408.7 x 341.1 x 71 mm [16.09"x13.43"x2.80"]
Weight	9.5 Kg

OTHER

Response time	Tr 3.5 ms, Tf 1.5 ms
Temperature	Operating +0°C ~ +40°C, Storage -20°C ~ +60°C

OPTIONS

PG 17 (**)	Protection glass
TS 17	SAW touch screen
PC	Intel 945GSE/ICH7 M Chipset Onboard Intel Atom N270 1.6GHz CPU One 200 pin SODIMM up to 2GB DDR2 400/533 SDRAM 2 Intel 82583V Gigabit Ethernet 2 SATA 1 CF slot 2 USB, 1 COM RS232

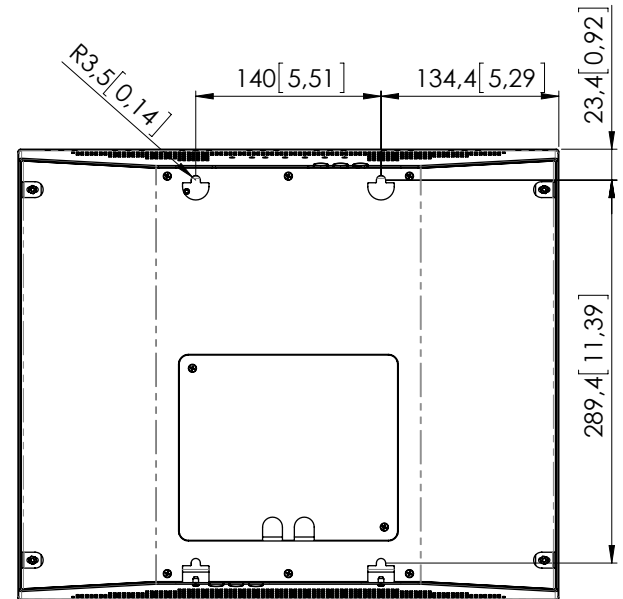
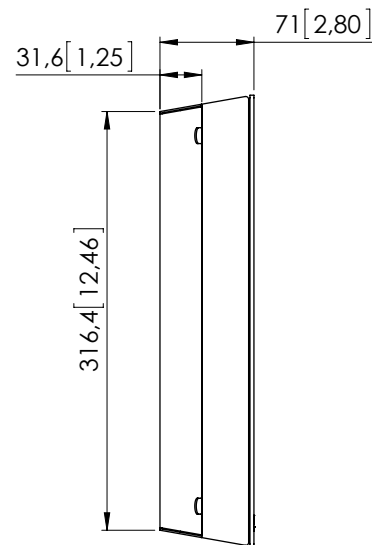
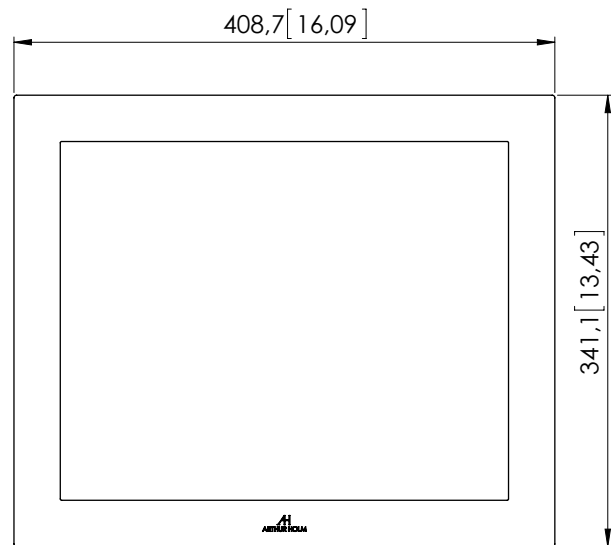


ARTHUR HOLM

Albiral Display Solutions SL
 Fàtima 25, Sant Hipòlit de Voltregà
 08512 Barcelona - Spain
 TEL: +34 93 850 23 76 / 23 83
 FAX: +34 93 850 25 50
 WEB: www.arthurholm.com
 E-MAIL: marketing@albiral.com

Professional 17" monitor with brushes
stainless steel, aluminium or glass frame
to be installed on wall.

Ref. AH17RI
AH17RA
AH17RG



GENERAL DIMENSIONS

Scale 1:4
Dimensions in millimeters [inches]
Revision: 0
Projection:

ARTHUR HOLM

Albiral Display Solutions SL
Fàtima 25, Sant Hipòlit de Voltregà. 08512 Barcelona (SPAIN)
TEL: +34 93 850 23 76 / 23 83 FAX: +34 93 850 25 50
WEB: www.arthurholm.com EMAIL: marketing@albiral.com