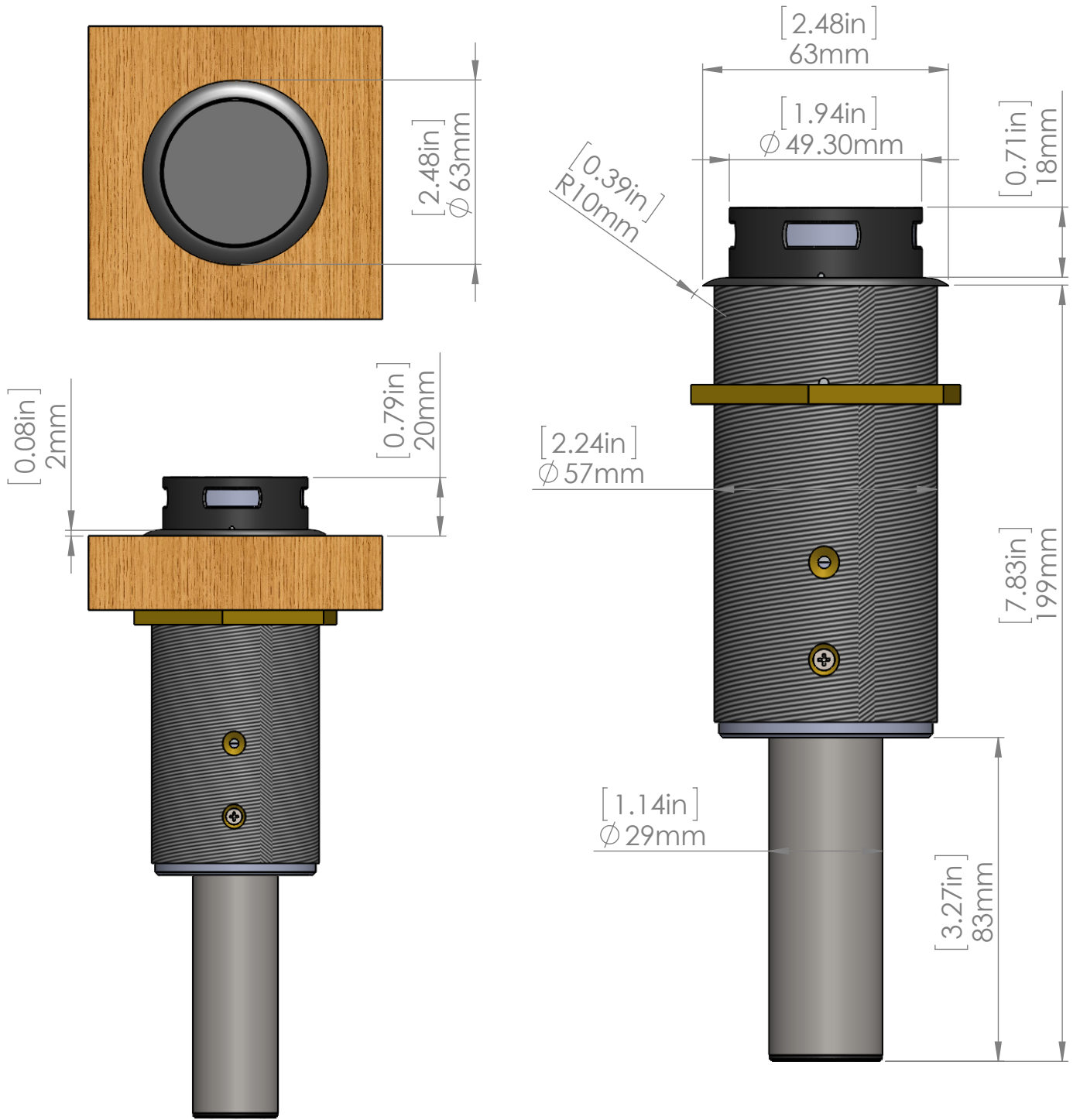


For installation pre drill a 58mm (2.25 inch) diameter hole



<b>PROPRIETARY AND CONFIDENTIAL</b> THE INFORMATION CONTAINED IN THIS DRAWING IS THE SOLE PROPERTY OF CLOCKAUDIO LTD. ANY REPRODUCTION IN PART OR AS A WHOLE WITHOUT THE WRITTEN PERMISSION OF CLOCKAUDIO LTD IS PROHIBITED.	CLIENT APPROVAL			NAME	DATE	<b>CLOCKAUDIO</b>
	NAME		DRAWN	C.BUDGEN	16/04/15	
	COMPANY		MATERIAL	Brass		ARM 202-RF
	DATE		FINISH	Black nextel or nickel		
	SIGNATURE		NOTES:	ARM 202-RF (Black) ARM 202N-RF (Nickel)		
	COMMENTS:					SIZE <b>A</b> DWG. NO. <b>1101</b> REV.
			DO NOT SCALE DRAWING	SCALE:	SHEET 1 OF 1	