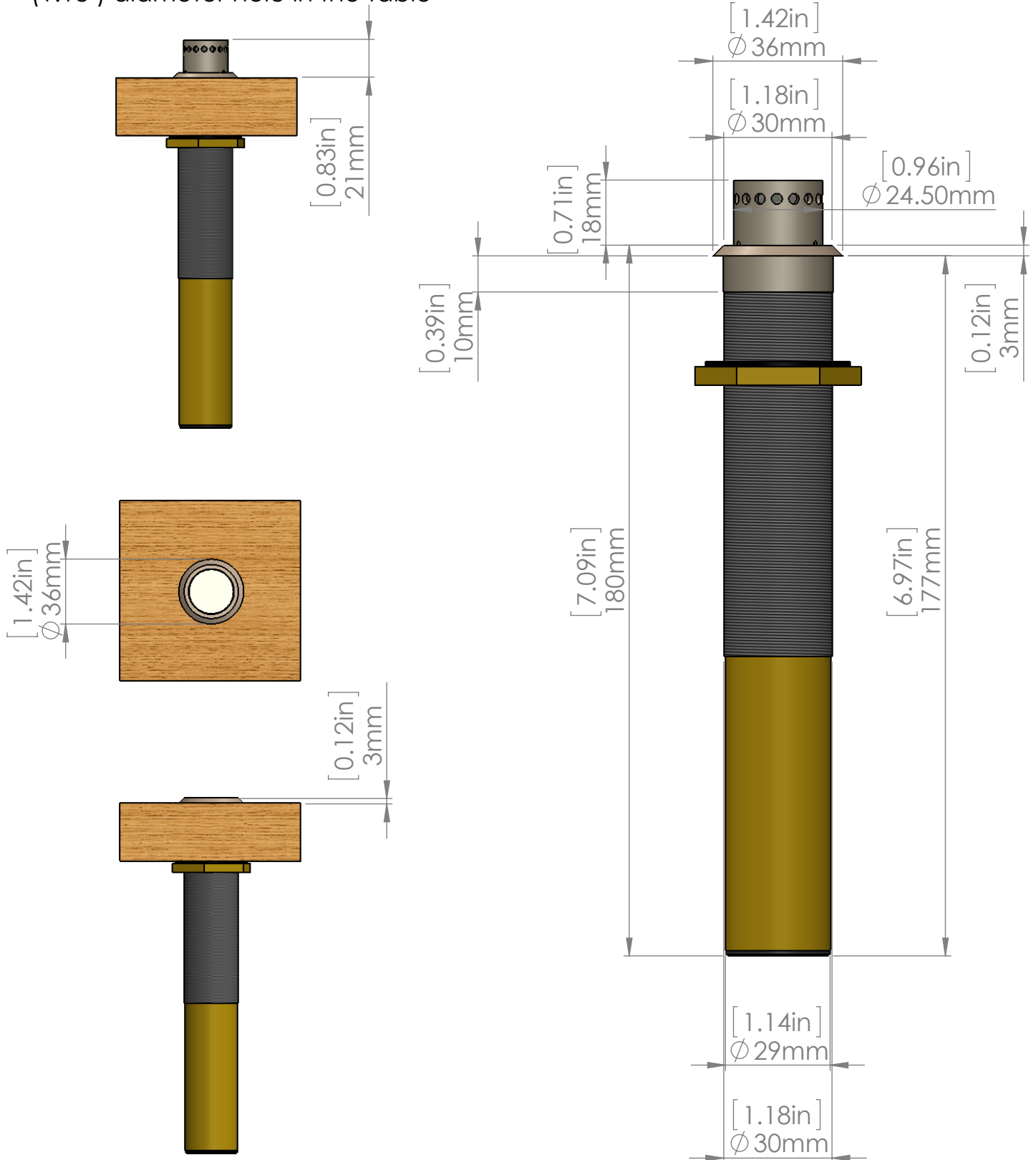


For installation pre drill a 30mm (1.18") diameter hole in the table



PROPRIETARY AND CONFIDENTIAL THE INFORMATION CONTAINED IN THIS DRAWING IS THE SOLE PROPERTY OF CLOCKAUDIO LTD. ANY REPRODUCTION IN PART OR AS A WHOLE WITHOUT THE WRITTEN PERMISSION OF CLOCKAUDIO LTD IS PROHIBITED.	CLIENT APPROVAL			NAME	DATE	CLOCKAUDIO
	NAME		DRAWN	C.BUDGEN	05/06/12	
	COMPANY		MATERIAL	Brass		ARM 100-RF
	DATE		FINISH	Black nextel or Satin nickel		
	SIGNATURE		NOTES:	ARM 100-RF Black ARM 100N-RF Nickel		
COMMENTS:					SIZE A DWG. NO. 928 REV. SHEET 1 OF 1	
					DO NOT SCALE DRAWING WEIGHT: SHEET 1 OF 1	