

Superb Performance, Exceptional Value

Drawing from years of experience and industry leading technologies like Complex Conic waveguides, CA/CX loudspeakers are designed to meet the needs of today's Installed-AV professionals, with a broad range of systems to provide effective solutions for every sound reinforcement challenge at competitive price points.

The new C Series loudspeakers incorporate the newest generation of Complex Conic horns, with the latest drivers to provide clean, natural sound and tight pattern control. Unlike conventional loudspeaker designs, Complex Conic horns provide consistent beamwidth over a wider frequency range, with the natural, transparent sound that Renkus-Heinz is known for. And as with all Renkus-Heinz products, C Series loudspeakers are backed by Renkus-Heinz's renowned worldwide customer support.

Applications

- The CX/CA62 is a compact, dual-6" Complex Conic loudspeaker perfect for any application where small size, consistent directivity and great sonic performance are required.
- Main loudspeaker in small systems
- Side fill or under balcony applications in House of Worship or auditoriums
- Foreground music systems
- High quality distributed sound systems

Compact Design, Sizable Performance

The CX/CA62 was developed for applications needing consistent directivity and great sonics from a compact cabinet. Dual woofers provide additional output and tighter vertical pattern control

It features a 1.4" voice coil high frequency compression driver with a 1" throat coupled to a Complex Conic horn. The patented Complex Conic horn eliminates high frequency beaming and provides wide angle coverage out to 20 kHz and beyond. The high-efficiency 6" woofers produce a strong low end. Together these deliver a surprisingly high 126 dB peak output level from 100 Hz to 20 kHz.

Designed In Flexibility

Twelve M6 Universal Mounting Points and 10 mm u-bracket mounting plates make installation easy and clean. The Complex Conic horn is field rotatable allowing the installer the flexibility of installing the loudspeaker either vertically or horizontally while maintaining the dispersion necessary for the project.

The CX/CA62 and it's (optional) matching U-Bracket are available in either white or black paint allowing them to blend into most environments.

Available externally powered or with four flavors of built-in amplification; RHAON II networking, monitoring and control, and Dante digital audio, the CX/CA62 brings new levels of versatility to compact loudspeakers.

CA/CX Series

CX62	Non-Powered
CA62-A	Powered, Analog
CA62-RN	RHAON Empowered
CA62-RD	RHAON & Dante Redundant

2 x 6" LF + 1" HF Two-way, Complex Conic Loudspeaker



- **Complex Conic Horn**
Consistent directivity, superior sonics and field rotatable.
- **Surprising Power**
100 Hz to 20 kHz response and 126 dB, peak SPL.
- **Compact**
Just 21 x 7-7/8 x 9-3/8 inches/533 x 200 x 254 mm.
- **Optional U-Bracket Mount**
Allows easy horizontal mounting and aiming.
- **Available SA625 Amplifier**
SA625 amplifier offers high output, full protection limiting, analog, and optional AES and Dante inputs.

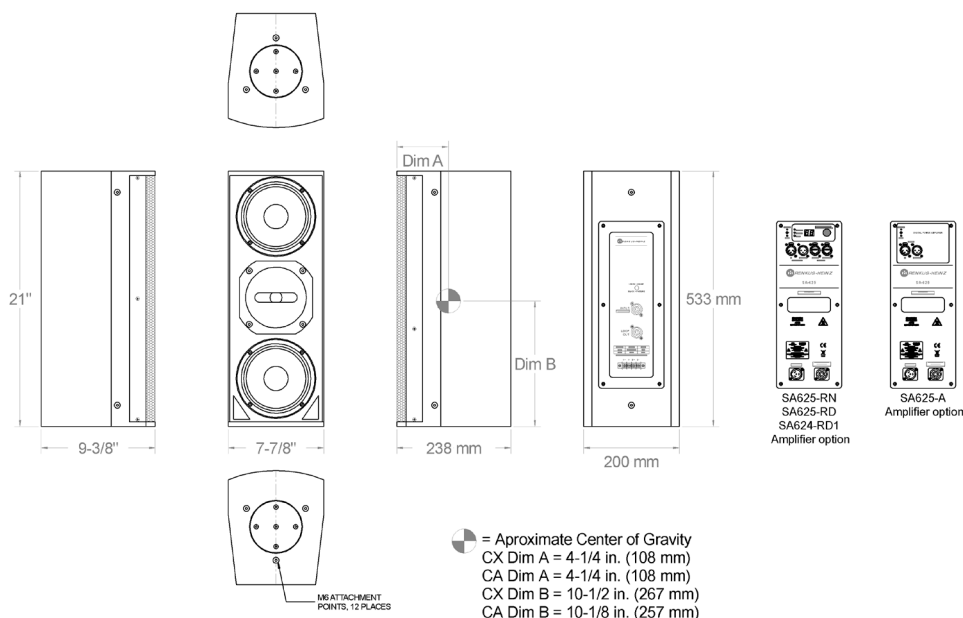
CA/CX62 Specifications

	CX62	CA62-A	CA62-RN	CA62-RD
Connectors:	2 x Speakon® NL4 Four-place terminal strip, all paralleled	2 x XLR-3, In & Loop-out	2 x XLR-3, In & Loop-out, Analog and AES 2 x RJ45, primary & secondary	
Sensitivity:	97 dB (1W/1m)		1.0 volt for rated output, analog	
Power Handling:	Passive: 200 W AES @ 8 ohms, Bi-amp: 200 W AES @ 8 ohms, LF 20 W AES @ 16 ohms, HF		See SA625 amplifier specs below	
Weight:	26 lbs/11.8 kg		25 lbs/11.3 kg <i>(This is correct, the amp is lighter than the passive input connection/crossover plate.)</i>	
Crossover Frequency:	2.2 kHz, passive, bi-amp selectable		2.2 kHz active electronic	
Max. SPL:	126 dB, (peak, whole space)		124 dB (peak, whole space)	
Frequency Response:		100 Hz to 20 kHz (+/- 3dB)		
Dispersion		150° horizontal x 60° vertical, Rotatable Complex Conic Horn		
Enclosure:		11 ply birch plywood		
Grille:		16 GA powder-coated, plated steel		
Transducers:		Woofer: 2 x SSL6.5-18; High Frequency Driver: SSD1445-16; Replacement HF Diaphragm CD1445-16		
Finish:		Black (RAL9010) or White (RAL9011) paint		
Mounting:		12 x M6 UMH points; 2 x M10 u-bracket nutplate. Optional: UBRKT/CT62B (black), UBRKT/CT62W (white)		
Dimensions:		7-7/8" w x 21" h x 9-3/8" d 200 mm w x 533 mm h x 238 mm d		

SA625 Amplifier Specifications

	SA625-A	SA625-RN	SA625-RD (Brooklyn II)
Audio Connections:	2 x XLR-3, In & Loop-out, Analog	2 x XLR-3, In & Loop-out, Analog and AES	2 x XLR-3, In & Loop-out, Analog and AES 2 x RJ45 Dante Primary & Secondary Ethernet
Latency:	6.25 ms	6.25 ms	6.25 ms Analog & AES 6.25 ms + Dante transport latency
User DSP:	None	Eight fully parametric filters, high and low shelf, high and low pass filters, delay to 340 ms.	
Software:	None	RHAON II	RHAON II and Dante Controller
Max. Input Level:	+22 dBu, Analog	+22 dBu, Analog, 0 dBFS digital	+22 dBu, Analog, 0 dBFS digital
Network Connections:	None	2 x RJ45, Looping Ethernet/RHAON	2 x RJ45 Dante Primary & Secondary Ethernet/RHAON (Note: Dante and RHAON share a single or redundant Ethernet network.)
Power Output:		LF= 500 watts, @ 8 ohms / HF = 125 watts @ 16 ohms. Multi-band peak and thermal limiting on both channels protects the drivers.	
Mains Voltage:		100-240 volts, 50/60 Hz auto-switching	
Power Consumption:		Idle: 200 mW. 1/8 power: 120 W (onset of limiting) 1/3 power: 240 W (hard limiting)	
Power Connector:		Neutrik powerCON TRUE-1	
Temperature Limits		Max.: 140° F/60° C, with no direct sun exposure; Min.: -22° F/-30° C; leave unit on to keep interior warm below 32° F/0° C.	

Note: All analog inputs and outputs comply with AES Standard 48-2005 on interconnecting, grounding and shielding.



Renkus-Heinz, Inc., 19201 Cook Street, Foothill Ranch, CA 92620-3501, USA
Tel: +1 949-588-9997 • Fax: +1 949-588-9514
sales@renkus-heinz.com • www.renkus-heinz.com

RH 844 R2 October 2020