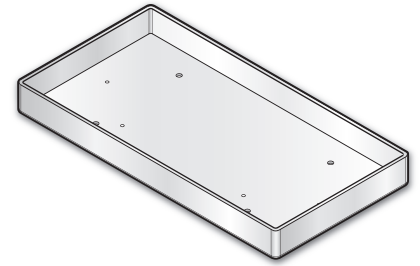


## Cable Cubby 1252 MS Lid Tray Kit • Installation Guide



This guide provides instructions for an experienced technician to install the Extron Cable Cubby 1252 MS Lid Tray Kit onto the Cable Cubby 1252 MS enclosure. The lid tray offers a clean finished edge for the lid insert material.

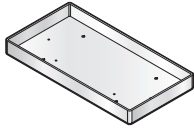


The surface-matching Cable Cubby 1252 MS is a furniture-mounted enclosure for cable access, connections, and AC power. The Cable Cubby 1252 MS provides the freedom to either match the surface of the table or use a unique lid design that complements your décor. Unused cables can be stored out of the way while remaining connected to the presentation system.

### Planning

#### Check all parts and equipment before installation

- Ensure that all parts are present in the kit.
- Ensure that necessary tools (Phillip's head screwdriver and, potentially, shims or putty) are available for the installation.

### Kit Contents

Part	Quantity	Part	Quantity
Lid tray 	1	#4-40 flat head lid tray screws 	4
#6 flat head lid insert wood screws 	4		

### Preparing the Cable Cubby 1252 MS and Table

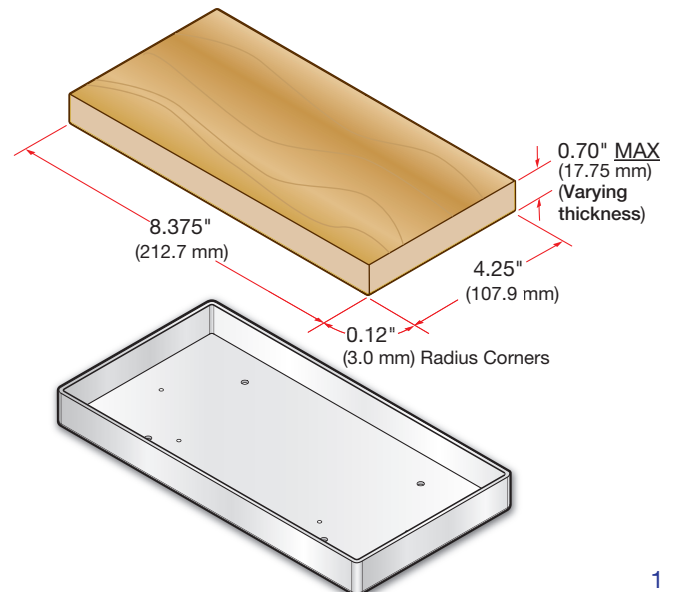
See the *Cable Cubby 1252 MS Installation Guide* for the steps necessary to prepare the Cable Cubby enclosure for installation of the lid. The lid tray is to be installed in place of the fabricated lid in that guide.

**NOTE:** If you are surface-matching the table for the lid insert material:

- See "Cutting the Lid Insert Material," below.
- Make the cut as accurate as possible, the cutout piece can be used for the lid insert to be attached to the lid tray.

### Cutting the Lid Insert Material

1. Cut a piece of lid insert material to the dimensions shown at right, as accurately as possible.



## Mounting the Lid Insert into the Lid Tray

### NOTES:

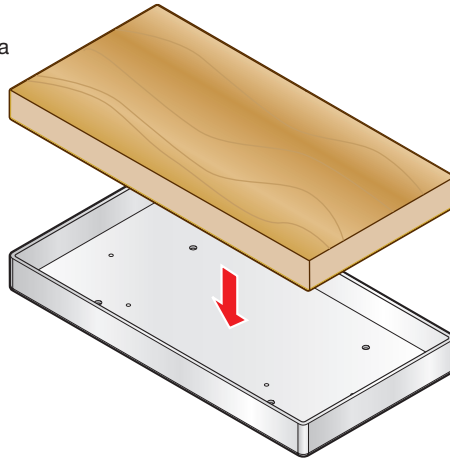
- Test fit the lid insert before securing it in the lid tray.
- The top of the surface material insert should be flush with the top of the lid tray. Shims or putty may be necessary to level and flush the surface material.

- 1 Place the lid insert in the tray and ensure a proper fit. If necessary, carefully trim the lid insert.

If using screws, perform 2 and 3.  
If NOT using screws, perform 4.

#### Option 1a: Mount lid insert with screw

- 2 Mark and drill four 3/32-inch pilot holes, 3/8 inch deep.
- 3 Secure the lid insert into the lid tray using four #6 flat head wood screws.

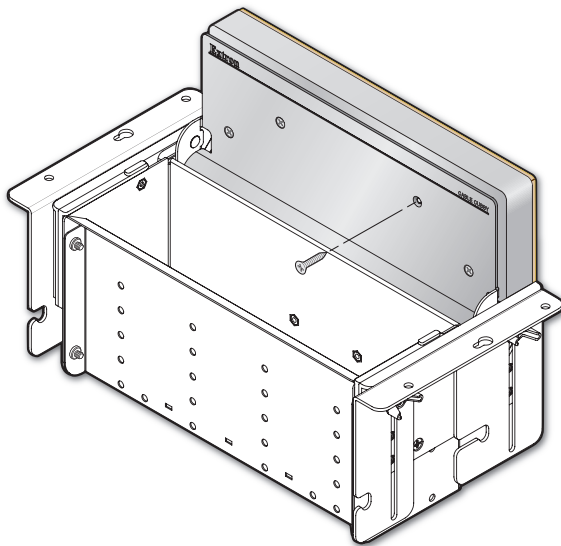


#### Option 1b: Mount the fabricated lid without screws

- 4 Secure the lid onto the Cable Cubby using the proper adhesive or putty.

## Completing the Installation

1. Align the lid tray to the Cable Cubby. The back edge of the lid lines up with the back of the Cable Cubby lid mechanism.
2. Secure the lid tray onto the Cable Cubby using the provided #4 flat head lid tray screws.
3. See the *Cable Cubby 1252 MS Installation Guide* to complete the Cable Cubby assembly and mount the Cable Cubby in the table.



For information on safety guidelines, regulatory compliances, EMI/EMF compatibility, accessibility, and related topics, see the [Extron Safety and Regulatory Compliance Guide](#) on the Extron website.