

CSP-D00094 Custom flush chair device portrait

DICENTIS



DICENTIS incorporates several standardized technologies that have been combined to create an open platform. Complete system solutions can be created by simply integrating compatible products. This makes DICENTIS extremely scalable, enabling it to evolve with the growing needs of meeting and conference facilities. At its heart, the DICENTIS Conference System makes use of the unique IP based OMNEO media networking architecture, developed by Bosch.

The elegantly designed DICENTIS Custom flush device is the perfect solution for projects where table space is key and standard table top devices are not the best choice. The sleek design has no impact on the aesthetics of the room.

The device enables participants to speak, register a request to speak, and listen to the discussion. There is a dedicated Priority button for the chairperson. The DICENTIS Custom flush has a 4.3-inch touchscreen with adjustable viewing angle and is completely software upgradable. The touch screen can fold flat against the device when not in use. The 4.3-inch capacitive touchscreen informs participants of the proceedings and increases meeting efficiency by displaying the current speaker and participants in the request list. Available interpreted languages and voting information can also be displayed.

- ▶ 4.3 inch touchscreen with adjustable viewing angle shows the participant list, voting buttons, and language selection, for increased meeting efficiency
- ▶ Flush-mounted design allows for more table space
- ▶ Integrated Near Field Communication (NFC) Card Reader for quick participant identification and voting - participants can even use an existing registration card
- ▶ Functionality can be conveniently expanded with software modules
- ▶ Dedicated Priority touch button for chairperson

Functions

General

- Flush discussion device for chairperson
- 4.3-inch capacitive display with touchscreen.
 - Multiple user interface languages in original characters.
 - Speaker list and Request list.
 - Speech countdown timer.
 - Custom logo.
- Built-in Near Field Communication (NFC) contactless tag reader.
- Additional functionality by use of software modules:
 - Identification.
 - Voting.
 - Select language.
- Priority button.
- Supports star and loop-through connection.
- Can be configured as a delegate device with audio mute button functionality.

Speech intelligibility

- Crystal-clear sound due to a very high signal-to-noise ratio.
- Maximum speech intelligibility is guaranteed.

- The loudspeaker and microphone can be active at the same time to facilitate a face-to-face meeting experience. A feedback suppressor is built in to prevent acoustic feedback.

Security

- Encryption ensures that information within the system remains confidential.

Microphones

- A socket is provided to connect the pluggable microphones DCN-MICS-D or DCN-MICL-D (to be ordered separately).

Headphones

- The device has a headphone connection and volume control to listen to proceedings in a different language.

Controls and indicators

Top side of device:

- Capacitive touch buttons with LED indication for microphone control.
- Microphone with a red or green indicator:
 - Red indicates that the microphone is active.
 - Green indicates that a request-to-speak is accepted.
- LED indicators on device showing:
 - Microphone on state - Red.
 - Possible-to-speak - White.
 - Request-to-speak - Green.

Right-hand side of the device:

- Rotary control and volume slider on the display for independent headphone volume control.

Interconnections

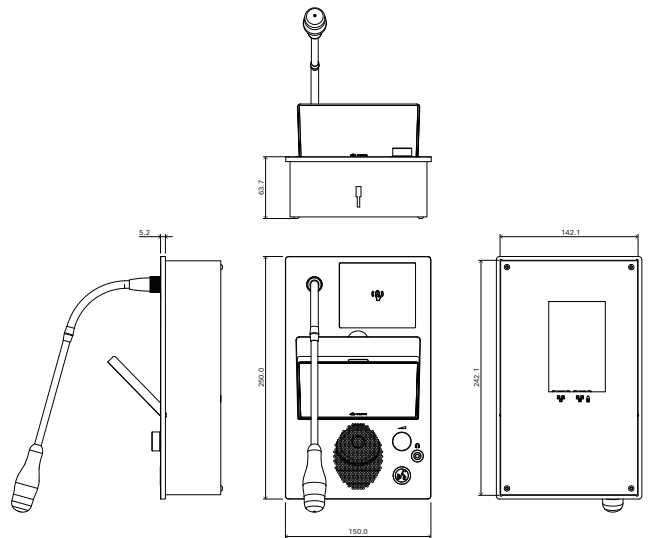
- Socket for pluggable microphone.
- A 3.5 mm (0.14 in) headphone socket stereo jack type.
- Two RJ45 compatible connections for system communication and power.
- Hot Plug-and-play.

Certifications and approvals

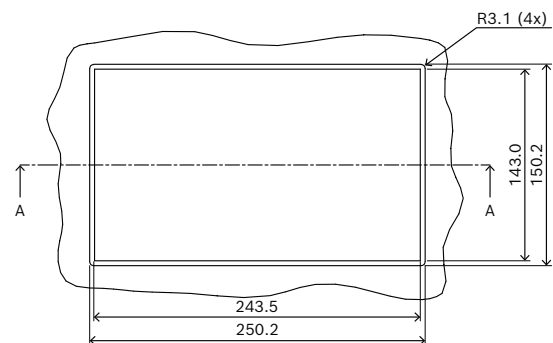
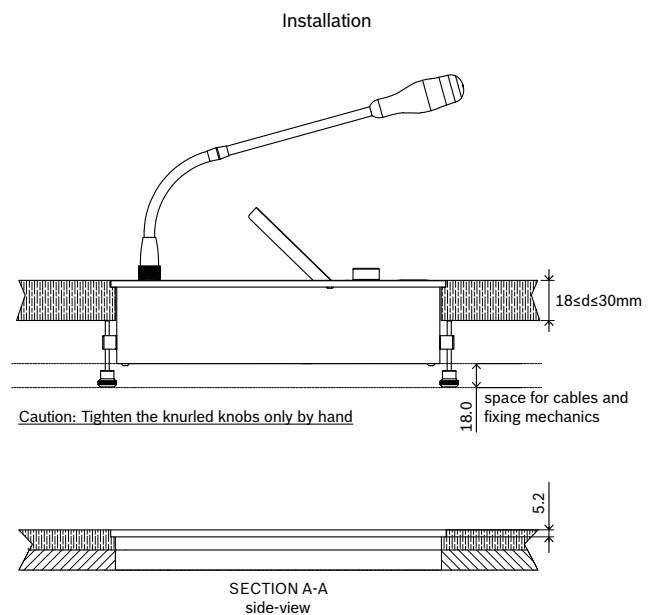
Region	Regulatory compliance/quality marks	
Europe	CE	DECL EC CSP-D00094

Installation/configuration notes

Dimensions



Installation



Parts included

Quantity	Component
1	CSP-D00094 Custom flush chair device portrait

Technical specifications

Electrical

Supply voltage	48 VDC
Power consumption	5 W
Frequency response	100 Hz to 20 kHz (-3 dB at nominal level)
THD at nominal level	< 0.1 %
Dynamic range	> 90 dB
Signal-to-noise ratio	> 90 dB

Audio inputs

Nominal microphone input	80 dB SPL according ISO22259, (IEC60914)
Maximum microphone input	110 dB SPL according ISO22259, (IEC60914)

Audio outputs

Loudspeaker nominal output	72 dB SPL at 0.5 m
Loudspeaker maximum output	87 dB SPL
Headphone nominal output	0 dBV
Headphone maximum output	3 dBV
Headphone load impedance	> 32 ohm <1k ohm
Headphone output power	65 mW

General

Screen size	109 mm (4.3 in)
Screen type	Capacitive multi-touch
Supported contactless NFC tag	According to: ISO/IEC14443 Type A (from 106 kbps to 848 kbps. MIFARE 106 kbps)

This product is compliant with the Radio Equipment Directive (RED) 2014/53/EU. Operating frequency is 13.56 MHz. Maximum field strength is -8.4 dBµA/m @ 10m.

Mechanical

Mounting	Flush mount
Table thickness	18 mm-30 mm*

Dimensions (H x W x D) without microphone	64 mm x 250 mm x 150 mm
Color (top and base)	Black (RAL 9005)
Material	Front panel: aluminum alloy Back shell: stainless steel
Weight	Approx. 1700 g

*For other dimensions, please contact your local Bosch representative.

Environmental

Operating temperature	5 °C to +45 °C (41 °F to +113 °F)
Storage and transport temperature	-30 °C to +70 °C (-22 °F to +158 °F)
Relative humidity	< 90%, > 5%

Notice

This equipment is compliant with Class A of CISPR 32. In a residential environment, this equipment may cause radio interference. The equipment is intended for environment Class A.

Ordering information

CSP-D00094 Custom flush chair device portrait

Custom flush mounted DICENTIS Discussion device with 4.3-inch touchscreen and NFC identification reader. Choice of pluggable microphone (DCN-MICS-D or DCN-MICL-D) to be ordered separately. Order number **CSP-D00094 | F.01U.385.567**

Accessories

DCN-MICS-D Pluggable microphone, short, black

DCN Next Generation pluggable short microphone, length 310 mm (12.2 inch), dark. Order number **DCN-MICS-D | F.01U.077.941**

DCN-MICL-D Pluggable microphone, long, black

DCN Next Generation pluggable long microphone, length 480 mm (18.9 inch), dark. Order number **DCN-MICL-D | F.01U.077.942**

ACD-MFC-ISO Card, MIFAREclassic, 1kB, 50pcs

MIFARE Classic ID card with 1 kByte data storage, 2 application areas, one of which can be customized. Packing information: 50 cards/ each unit Order number **ACD-MFC-ISO | F.01U.218.378**

ACD-EV1-ISO Card, MIFARE EV1, 8kB, 50pcs

Mifare DESFire EV1 ID card with 8 kByte data storage, 2 application areas, one of which can be customized. Packing information: 50 cards/ each unit Order number **ACD-EV1-ISO | F.01U.218.412**

DCNM-CB02-I System cable assembly 2m

2 m (6.6 feet), system network cable for connecting all DICENTIS devices. Order number **DCNM-CB02-I | F.01U.332.138**

DCNM-CB05-I System cable assembly 5m

5 m (16.0 feet), system network cable for connecting all DICIENTIS devices.

Order number **DCNM-CB05-I | F.01U.332.019**

DCNM-CB10-I System cable assembly 10m

10 m (33.0 feet), system network cable for connecting all DICIENTIS devices.

Order number **DCNM-CB10-I | F.01U.332.020**

DCNM-CB25-I System cable assembly 25m

25 m (82.0 feet), system network cable for connecting all DICIENTIS devices.

Order number **DCNM-CB25-I | F.01U.332.021**

Software Options**DCNM-LSSL License for language selector at 1 seat**

The DICIENTIS Select Language at Seat license enables the language selection feature of the DICIENTIS Multimedia and DICIENTIS Discussion device with touchscreen. The DICIENTIS Discussion device with language selector has the functionality built-in.

Order number **DCNM-LSSL | F.01U.300.534**

DCNM-LSVT License for voting at 1 seat

DICIENTIS software license for enabling voting at seat in the DICIENTIS Multimedia, DICIENTIS Discussion device with touchscreen, and DICIENTIS wireless Extended. The DICIENTIS Discussion device with voting has the functionality built-in.

Order number **DCNM-LSVT | F.01U.300.532**

DCNM-LSID License for identification at 1 seat

DICIENTIS software license for enabling identification at seat in the DICIENTIS Discussion device with voting, DICIENTIS Discussion device with language selector, DICIENTIS Discussion device with touchscreen, DICIENTIS Multimedia device, and DICIENTIS wireless Extended.

Order number **DCNM-LSID | F.01U.300.533**

Represented by:**Europe, Middle East, Africa:**

Bosch Security Systems B.V.
P.O. Box 80002
5600 JB Eindhoven, The Netherlands
Phone: + 31 40 2577 284
emea.securitysystems@bosch.com
www.boschsecurity.com

Germany:

Bosch Sicherheitssysteme GmbH
Robert-Bosch-Ring 5
85630 Grasbrunn
Germany
www.boschsecurity.com

North America:

Bosch Security Systems, LLC
130 Perinton Parkway
Fairport, New York, 14450, USA
Phone: +1 800 289 0096
Fax: +1 585 223 9180
onlinehelp@us.bosch.com
www.boschsecurity.us

Asia-Pacific:

Robert Bosch (SEA) Pte Ltd, Security Systems
11 Bishan Street 21
Singapore 573943
Phone: +65 6571 2808
Fax: +65 6571 2699
apr.securitysystems@bosch.com
www.boschsecurity.asia