

DTP DVI 4K 330

LONG DISTANCE DVI TWISTED PAIR EXTENDER

DTP
SYSTEMS

4K UHD



DTP DVI 4K 330 Tx

DTP DVI 4K 330 Rx

The Extron DTP DVI 4K 330 extender sends single link DVI-D video, analog audio, and bidirectional control signals up to 330 feet (100 meters) over a shielded CATx cable. Local monitor support enables simplified PC integration. The DTP DVI 4K 330 features a compact enclosure that enables discreet installation in a wide variety of applications.

- ▶ Transmits single link DVI-D plus control and analog audio up to 330 feet (100 meters) over a shielded CATx cable
- ▶ Supports computer and video resolutions up to 4K, including 1080p/60 Deep Color
- ▶ Extron XTP DTP 24 shielded twisted pair cable is strongly recommended for optimal performance
- ▶ Bidirectional RS-232 and IR pass-through for AV device control
- ▶ Accepts additional analog stereo audio signals
- ▶ DVI input loop-through
- ▶ Supports EDID and HDCP transmission
- ▶ DDC routing to local or remote display
- ▶ Remote power capability
- ▶ UL 2043 plenum rated receiver
- ▶ Supported HDMI specification features include data rates up to 10.2 Gbps, Deep Color up to 12-bit, 3D, HD lossless audio formats, and CEC pass-through
- ▶ Compatible with all DTP™ 330 Series models and DTP 330-enabled products
- ▶ 1" (2.5 cm) high, quarter rack width metal enclosures
- ▶ Highly reliable, energy-efficient external universal power supply included with Tx models



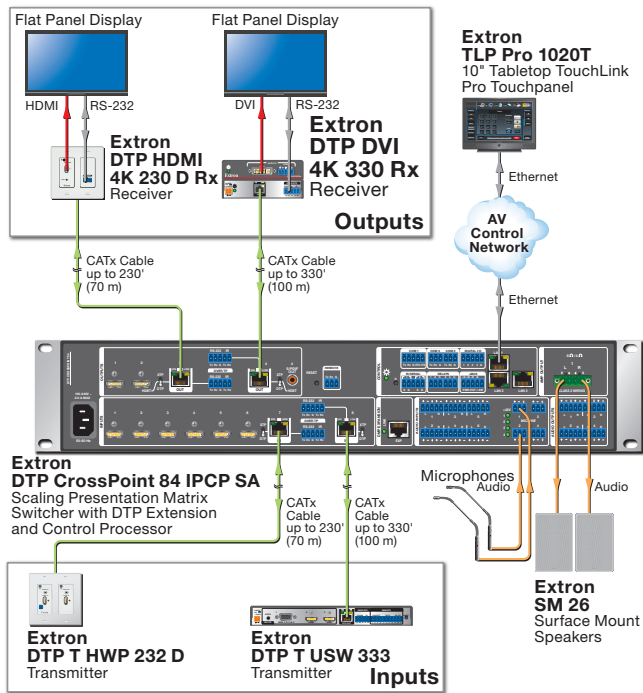
Extron Electronics
INTERFACING, SWITCHING AND CONTROL

DESCRIPTION

The Extron **DTP DVI 4K 330** is a long distance transmitter and receiver set for sending DVI-D video, audio, and bidirectional RS-232 and IR signals up to 330 feet (100 meters) over a shielded CATx cable to Extron DTP™ 330-enabled products. The DTP DVI 4K 330 accepts analog stereo audio signals for simultaneous transmission over the same shielded twisted pair cable. It supports video signals at resolutions up to 4K, including 1080p/60 Deep Color. The transmitter is equipped with a buffered DVI loop-through output to support a local computer monitor. DDC communication of EDID and HDCP is selectable between the local or remote display and is continuously maintained between a source and display.

The DTP DVI 4K 330 is fully compatible with HDMI signals when used with the appropriate DVI-HDMI adapters from Extron. For installation flexibility, the transmitter or receiver can be remotely powered over the shielded twisted pair cable by a DTP 330-enabled product. The twisted pair extender also supports simultaneous transmission of bidirectional RS-232 and IR signals from a control system for AV device control. The DTP DVI 4K 330 can be integrated with an Extron DTP CrossPoint® 84 Presentation Matrix Switcher, or other DTP 330-enabled products to support sources, plus displays and other output devices at remote locations.

APPLICATION DIAGRAM



SPECIFICATIONS

VIDEO		
Maximum data rate	10.2 Gbps (3.4 Gbps per color)	
Maximum pixel clock	300 MHz	
Resolution range	Up to 2560x1600* @ 60 Hz or 4K (4096x2160) @ 30 Hz, UHD (3840x2160) @ 30 Hz, 4K/UHD @ 60 Hz with 4:2:0 chroma subsampling (* reduced blanking)	
VIDEO INPUT – TRANSMITTER		
Number/signal type	1 single link DVI-D (or HDMI*) input 1 single link DVI-D (or HDMI*) local loop-through	
INTERCONNECTION BETWEEN TRANSMITTER AND RECEIVER		
Connectors	1 female RJ-45 per unit	
Signal transmission distance	1080p @ 60 Hz Up to 330' (100 m) using shielded twisted pair (STP) cable or XTP DTP 24 STP cable	
2560x1600 @ 60 Hz	Up to 330' (100 m) using shielded twisted pair (STP) cable or XTP DTP 24 STP cable	
4K/UHD @ 30Hz and 60 Hz	Up to 330' (100 m) using shielded twisted pair (STP) cable or XTP DTP 24 STP cable	
Cable requirements	Solid conductor, 24 AWG or better	
Cable recommendations	400 MHz bandwidth, STP (shielded twisted pair)	
NOTE: Extron XTP DTP 24 shielded twisted pair cable is strongly recommended for optimal performance.		
VIDEO OUTPUT – RECEIVER		
Number/signal type	1 single link DVI-D (or HDMI*)	
CONTROL/REMOTE		
External device (pass-through, unidirectional or bidirectional)		
Serial control port input/output	Transmitter RS-232 via (1) 3.5 mm, 5 pole captive screw connector for RS-232 control (±5 V) (connector is shared with IR control port)	
IR control port	(1) 3.5 mm, captive screw connector, 5 pole (connector is shared with RS-232 control port) TTL level (0 to 5 V) modulated infrared control from 30 kHz up to 60 kHz	
GENERAL		
Power supply	External Input: 100-240 VAC, 50-60 Hz Output: 12 VDC, 1 A, 12 watts	
NOTE: Each transmitter or receiver can be powered either locally by an external power supply or remotely by receiver or transmitter on the other end of the twisted pair cable.		
Enclosure dimensions		
Transmitter	1.0" H x 4.3" W x 3.0" D (quarter rack wide) (2.5 cm H x 10.9 cm W x 7.6 cm D) (Depth excludes connectors.)	
Receiver	1.0" H x 4.3" W x 6.0" D (quarter rack wide) (2.5 cm H x 10.9 cm W x 15.2 cm D) (Depth excludes connectors.)	
Model	Version Description	Part number
DTP DVI 4K 330 Tx	DVI Tx - 330 feet (100 m)	60-1360-12
DTP DVI 4K 330 Rx	DVI Rx - 330 feet (100 m)	60-1360-13

For complete specifications, please go to www.extron.com
Specifications are subject to change without notice.

Worldwide Sales Offices

Anaheim • Raleigh • Silicon Valley • Dallas • New York • Washington, DC • Toronto • Mexico City • Paris • London • Frankfurt
Amersfoort • Moscow • Dubai • Johannesburg • New Delhi • Bangalore • Singapore • Seoul • Shanghai • Beijing • Tokyo

UNITED STATES

+800.633.9876
Inside USA/Canada
+1.714.491.1500

EUROPE

+800.3987.6673
Inside Europe
+31.33.453.4040

ASIA

+800.7339.8766
Inside Asia
+65.6383.4400

MIDDLE EAST

+971.4.299.1800