

DTP HD DA 4K 230

FOUR AND EIGHT OUTPUT DTP DISTRIBUTION AMPLIFIERS

DTP
SYSTEMS

4K UHD



DTP HD DA4 4K 230



DTP HD DA8 4K 230

The Extron DTP HD DA4 4K 230 and DTP HD DA8 4K 230 provide signal extension and distribution to four or eight Extron DTP™-enabled products, sending HDMI, audio, and control up to 230 feet (70 meters) over shielded CATx cable. Both HDCP-compliant DTP distribution amplifiers include several integrator-friendly features that streamline installation and enable the reliable distribution of an HDMI source signal to multiple destinations within DTP Systems.

- ▶ Distributes HDMI plus control and analog audio up to 230 feet (70 meters) over shielded CATx cable
- ▶ Supports computer and video resolutions up to 4K, including 1080p/60 Deep Color
- ▶ Extron XTP DTP 24 shielded twisted pair cable is strongly recommended for optimal performance
- ▶ DTP™ outputs are compatible with HDBaseT-enabled devices
- ▶ HDMI input loop-through
- ▶ Audio input with loop-through accepts additional analog stereo audio signals
- ▶ Remote powering of DTP receivers
- ▶ RS-232 insertion from the Ethernet control port
- ▶ Bidirectional RS-232 and IR pass-through for AV device control
- ▶ Supported HDMI specification features include data rates up to 10.2 Gbps, Deep Color up to 12-bit, 3D, and HD lossless audio formats
- ▶ Key Minder®
- ▶ EDID Minder®
- ▶ Output muting control
- ▶ Compatible with all DTP 230 Series receivers and DTP-enabled products
- ▶ Rack-mountable 1U, full rack width metal enclosure



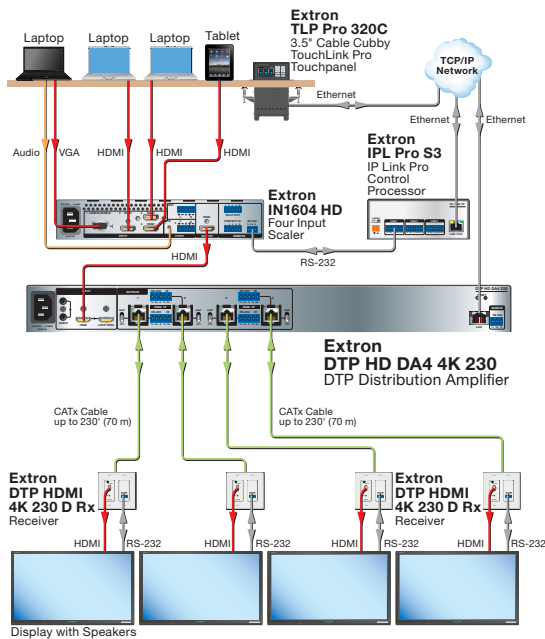
Extron Electronics
INTERFACING, SWITCHING AND CONTROL

DESCRIPTION

The Extron **DTP HD DA4 4K 230** and **DTP HD DA8 4K 230** are distribution amplifiers that provide one HDMI input with loop-through, and either four or eight DTP outputs. Each twisted pair output sends HDMI, audio, and control up to 230 feet (70 meters) over shielded CATx cable to Extron DTP-enabled products. The DTP HD DA 4K 230 accepts analog stereo audio signals for simultaneous transmission over the same shielded CATx cable. It supports video signals at resolutions up to 4K, including 1080p/60 Deep Color. The DTP HD DA 4K 230 offers bidirectional RS-232 and IR pass-through at each DTP output, plus system level RS-232 control of AV devices via Ethernet insertion. It features remote powering of DTP receivers, EDID Minder, Key Minder, and selectable output muting.

To enhance and simplify integration, the DTP HD DA 4K 230 includes automatic input cable equalization and automatic color bit depth management. The DTP HD DA 4K 230 also features analog stereo audio loop-through for local audio system and monitoring needs. The DTP outputs can be muted independently via Ethernet or RS-232. Each twisted pair output also offers an HDBaseT output mode for compatibility with HDBaseT-enabled displays. The distribution amplifier is easily controlled via Ethernet, USB, or RS-232. The DTP HD DA 4K 230 can be integrated with Extron switchers, scalars, or other DTP-enabled products to provide multiple, simultaneous outputs for signage and presentation overflow room applications.

APPLICATION DIAGRAM



SPECIFICATIONS

VIDEO		
Maximum data rate	10.2 Gbps (3.4 Gbps per color)	
Resolution range	Up to 2560x1600* @ 60Hz or 4K (4096x2160) @ 30 Hz, UHD (3840x2160) @ 30 Hz, 4K/UHD @ 60 Hz with 4:2:0 chroma subsampling (*Reduced blanking)	
Color bit depth	8, 10, or 12 bits — subject to the maximum data rate limit	
VIDEO INPUT		
Connectors	1 female HDMI type A	
INTERCONNECTION BETWEEN TRANSMITTER AND RECEIVERS		
Connectors		
DTP HD DA4 230	4 female RJ-45	
DTP HD DA8 230	8 female RJ-45	
Signal transmission distance		
DTP HD DA4/DA8 230		
1080p @ 60 Hz	Up to 230' (70 m) using shielded twisted pair (STP) cable or XTP DTP 24 cable	
2560x1600 @ 60 Hz	Up to 130' (40 m) using STP cable or XTP DTP 24 cable	
4K/UHD @ 30 and 60 Hz	Up to 130' (40 m) using STP cable or XTP DTP 24 cable	
Cable requirements	Solid conductor, 24 AWG or better	
Cable recommendations	400 MHz bandwidth STP cable	
NOTE: Extron XTP DTP 24 shielded twisted pair cable is strongly recommended for optimal performance.		
NOTE: Output mode signaling:		
DTP: HDMI with embedded audio, analog audio, RS-232 and IR, and remote power		
HDBaseT: HDMI with embedded audio plus RS-232 and IR		
CONTROL/REMOTE		
Serial control port	RS-232, 3.5 mm, 3 pole captive screw connector	
USB control ports	1 front panel female mini USB B	
Ethernet data rate	10/100Base-T, half/full duplex, with autodetect	
COMMUNICATIONS — EXTERNAL DEVICE (RS-232/IR OVER TP)		
Serial control port	RS-232 via (4) or (8) 3.5 mm, 5 pole captive screw connectors (connectors are shared with IR control ports)	
GENERAL		
Power supply	Internal Input: 100-240 VAC, 50-60 Hz	
Enclosure dimensions		
DTP HD DA4 230	1.75" H x 17.5" W x 8.5" D (1U high, full rack wide) (4.4 cm H x 44.4 cm W x 21.6 cm D, depth excludes connectors)	
DTP HD DA8 230	1.75" H x 17.5" W x 8.5" D (1U high, full rack wide) (4.4 cm H x 44.4 cm W x 21.6 cm D, depth excludes connectors)	
Regulatory compliance		
Safety	CE, c-UL, UL	
Model	Version Description	Part number
DTP HD DA4 4K 230	HDMI to Four Output DTP DA - 230 feet (70 m)	60-1437-01
DTP HD DA8 4K 230	HDMI to Eight Output DTP DA - 230 feet (70 m)	60-1438-01

For complete specifications, please go to www.extron.com
Specifications are subject to change without notice.

Worldwide Sales Offices

Anaheim • Raleigh • Silicon Valley • Dallas • New York • Washington, DC • Toronto • Mexico City • Paris • London • Frankfurt
Amersfoort • Moscow • Dubai • Johannesburg • New Delhi • Bangalore • Singapore • Seoul • Shanghai • Beijing • Tokyo

UNITED STATES

+800.633.9876
Inside USA/Canada
+1.714.491.1500

EUROPE

+800.3987.6673
Inside Europe
+31.33.453.4040

ASIA

+800.7339.8766
Inside Asia
+65.6383.4400

MIDDLE EAST

+971.4.299.1800