

# DTP T UWP 4K 332 D

LONG DISTANCE DTP TRANSMITTER FOR HDMI AND  
VGA WITH AUDIO EMBEDDING



**DTP**  
SYSTEMS

**4K UHD**

The Extron DTP T UWP 4K 332 D is a decorator-style transmitter that provides signal extension for up to two sources, sending HDMI, VGA, control, and analog audio up to 330 feet (100 meters) over a shielded CATx cable to Extron DTP® 330-enabled products. The HDCP-compliant transmitter includes several integrator-friendly features in a convenient form factor that offers maximum placement flexibility.

- ▶ Transmits HDMI, VGA, control, and analog audio up to 330 feet (100 meters) over a shielded CATx cable
- ▶ One HDMI input and one VGA input
- ▶ Supports computer and video resolutions up to 4K
- ▶ Auto-switching between inputs
- ▶ Remote control via contact closure or RS-232
- ▶ Analog stereo audio embedding
- ▶ Extron XTP DTP 24 shielded twisted pair cable is strongly recommended for optimal performance
- ▶ Independent analog audio inputs
- ▶ Bidirectional RS-232 pass-through for AV device control
- ▶ Remote power capability
- ▶ Supported HDMI specification features include data rates up to 10.2 Gbps, 3D, and HD lossless audio formats
- ▶ EDID Minder®
- ▶ Compatible with all DTP® 330 Series receivers and DTP 330-enabled products
- ▶ Mounts in an included two-gang decorator-style wallplate
- ▶ Highly reliable, energy-efficient external universal power supply included

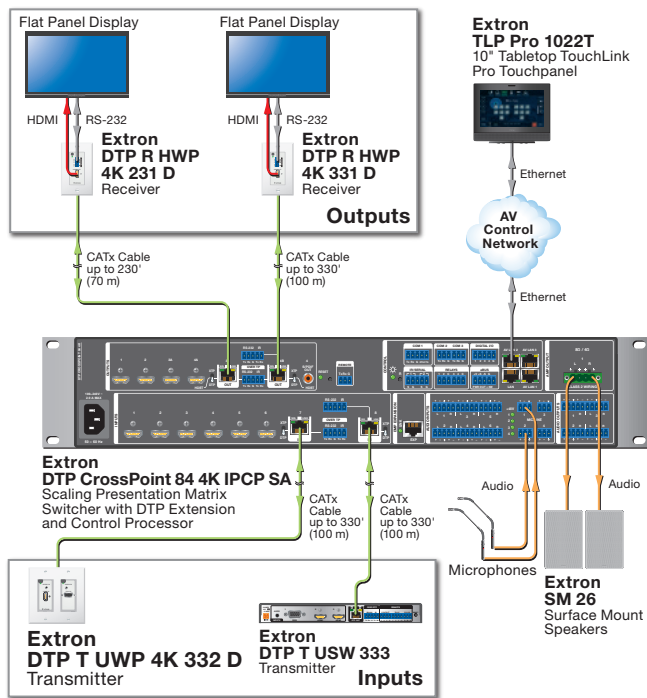
**Extron**

## DESCRIPTION

The Extron **DTP T UWP 4K 332 D** is a two input, decorator-style transmitter for sending HDMI, VGA, control, and analog audio up to 330 feet (100 meters) over a shielded CATx cable to Extron DTP 330-enabled products. The HDCP-compliant transmitter provides one HDMI input and one VGA input, both with independent analog stereo audio connections. The DTP T UWP 4K 332 D supports video signals at resolutions up to 4K. Integrator-friendly features include analog stereo audio embedding, EDID Minder, auto-switching between inputs, RS-232 and contact closure remote control for simplified input selection, remote power capability, and bidirectional RS-232 pass-through for remote AV device control. The wall-mountable design of the DTP T UWP 4K 332 D provides the convenience of placing input connections precisely where they are needed.

For added installation flexibility, the transmitter can be remotely powered over the shielded twisted pair cable by a DTP-enabled product. The DTP T UWP 4K 332 D can be integrated with an Extron DTP CrossPoint® Presentation Matrix Switcher, or other DTP-enabled products to support sources at remote locations.

## APPLICATION DIAGRAM



## SPECIFICATIONS

### TRUE 4K SPECIFICATION

| Max 4K Capabilities  |                                |                         |
|--|--------------------------------|-------------------------|
| Resolution and Refresh Rate  | Chroma Sampling                | Max Bit Depth per Color |
| 4096 x 2160 at 30 Hz   | 4:4:4                          | 8 bit                   |
| 3840 x 2160 at 30 Hz   |                                |                         |
| Frame rate <sup>1</sup>  | 24, 25, or 30 fps              |                         |
| Chroma sampling <sup>1</sup>   | 4:4:4, 4:2:2                   |                         |
| Color bit depth <sup>1</sup>   | 8 bits per color               |                         |
| Signal type  | DVI 1.0, HDMI 1.4, HDCP 1.4    |                         |
| Max. video data rate   | 10.2 Gbps (3.4 Gbps per color) |                         |
| <b>NOTE:</b> <sup>1</sup> Subject to the maximum data rate limit. Use our calculator <a href="http://www.extron.com/4Kdata">www.extron.com/4Kdata</a> to determine video parameters supported by this data rate. |                                |                         |

### VIDEO INPUT – HDMI

Connectors 1 female HDMI type A

### VIDEO INPUT – VGA

Connectors 1 female 15-pin HD (RGB)

### INTERCONNECTION BETWEEN TRANSMITTER AND RECEIVER

#### Signal transmission distance

1080p @ 60 Hz Up to 330' (100 m) using shielded twisted pair (STP) cable or XTP DTP 24 cable  
 2048x1080 (2K) @ 60 Hz Up to 330' (100 m) using STP cable or XTP DTP 24 cable  
 4K/UHD @ 30 Hz Up to 330' (100 m) using STP cable or XTP DTP 24 cable  
 Cable requirements Solid conductor, 24 AWG or better  
 Cable recommendations 400 MHz bandwidth STP cable

**NOTE:** Extron XTP DTP 24 shielded twisted pair cable is strongly recommended for optimal performance.

### AUDIO INPUT

Number/signal type Analog audio (over DTP) 2 stereo, unbalanced

### COMMUNICATIONS – TRANSMITTER

Serial control port RS-232 via (1) 3.5 mm, 5-pole captive screw connector for RS-232 control (±5 V) and contact closure input switching  
 Contact closure remote control (1) 3.5 mm, 5-pole captive screw connector (connector is shared with RS-232 control port)

### COMMUNICATIONS – EXTERNAL DEVICE (PASS-THROUGH)

Serial control pass-through port Bidirectional RS-232

### GENERAL

Power supply External  
 Input: 100-240 VAC, 50-60 Hz  
 Output: 12 VDC, 1.5 A, 18 watts  
 Enclosure dimensions Device Two 2.70" H x 3.50" W x 1.90" D (69 mm H x 89 mm W x 48 mm D)  
 Regulatory compliance Safety c-UL, UL  
 EMI/EMC AS/NZS, CE\*\*, FCC Class A\*\*, ICES, VCCI  
 Environmental Complies with the appropriate requirements of RoHS, WEEE

| Model              | Version Description                              | Part number |
|--------------------|--|-------------|
| DTP T UWP 4K 332 D | HDMI, VGA Decorator Tx, Black – 330 feet (100 m) | 60-1755-52  |
| DTP T UWP 4K 332 D | HDMI, VGA Decorator Tx, White – 330 feet (100 m) | 60-1755-53  |

For complete specifications, please go to [www.extron.com](http://www.extron.com)  
 Specifications are subject to change without notice.

### WORLDWIDE SALES OFFICES

Anaheim • Raleigh • Silicon Valley • Dallas • New York • Washington, DC • Toronto • Mexico City • Paris • London  
 Frankfurt • Madrid • Stockholm • Amersfoort • Moscow • Dubai • Johannesburg • Tel Aviv • Sydney • Melbourne  
 Bangalore • Mumbai • New Delhi • Singapore • Seoul • Shanghai • Beijing • Hong Kong • Tokyo

[www.extron.com](http://www.extron.com)