

DXS18 DXS15mkII DXS12mkII

Technical Specifications

General Specifications

0 dBu is referenced to 0.775 Vrms.

General	DXS18	DXS15mkII	DXS12mkII
System Type	Powered subwoofer, band-pass type		
Frequency Range (-10 dB)	32 Hz–120 Hz	40 Hz–150 Hz	42 Hz–150 Hz
Measured Maximum SPL (Peak Pink Noise@1 m)	136 dB SPL	135 dB SPL	134 dB SPL

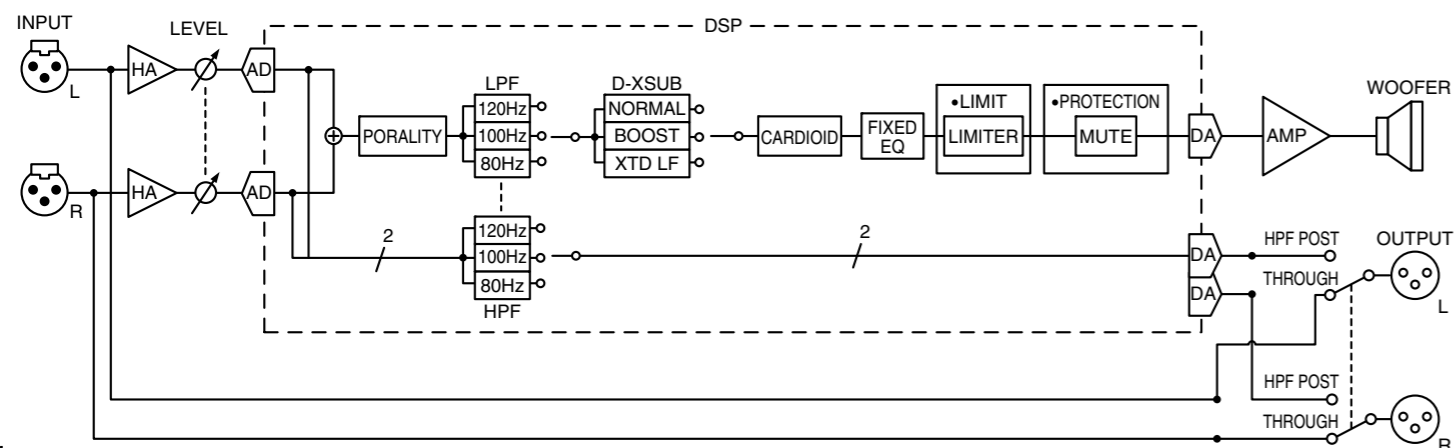
Transducer	DXS18	DXS15mkII	DXS12mkII
LF			
Diameter	18" cone	15" cone	12" cone
Voice coil	4"	2.5"	2.5"
Magnet	Ferrite	Ferrite	Ferrite

Enclosure	DXS18	DXS15mkII	DXS12mkII
Material, Finish, Color	Meranti Plywood, Durable Polyurea Coating, Black		
Dimensions (W x H x D, with rubber feet)	563 x 683 x 721 mm (22.2" x 26.8" x 28.4")	480 x 611 x 614 mm (18.9" x 24.1" x 24.2")	400 x 567 x 570 mm (15.7" x 22.3" x 22.4")
Net Weight	49.7 kg (110 lbs)	36.0 kg (79 lbs)	30.0 kg (66 lbs)
Handles	Steel, side x 2		
Pole Sockets	Ø35 mm (depth: 80 mm), M20 (threaded depth: 25 mm)		

Amplifier	DXS18	DXS15mkII	DXS12mkII
Amplifier Type	Class-D		
Power Rating *1	Dynamic	1,020 W	
	Continuous	800 W	
Cooling	Natural Convection		
AD/DA	24 bit / 48 kHz Sampling		
LPF	80 Hz, 100 Hz, 120 Hz, 24 dB/Oct.		
DSP Preset	D-XSUB: BOOST, XTD LF, NORMAL		
Protection	Speaker	Clip Limiting, Integral Power Protection, DC-fault, Power Switch ON/OFF	
	Amplifier	Thermal, Output Through Current	
	Power	Thermal, Over Voltage	
Connectors	Input	XLR3-31 x 2	
	Output	XLR3-32 x 2 (THROUGH or HPF POST)	
	Power	IEC AC inlet x 1 (V-Lock)	
Input Impedance	20 kΩ		
Input Sensitivity (LEVEL: maximum)	0 dBu		
Input Sensitivity (LEVEL: center)	+10 dBu		
Maximum Input Level	+24 dBu		
Controls	LEVEL, POLARITY, X-OVER, D-XSUB, CARDIOID, THROUGH/HPF POST, FRONT LED DISABLE, POWER		
Idle Power Consumption	35 W		
1/8 Power Consumption	100 W		
Power Requirements	100 V–240 V, 50/60 Hz		

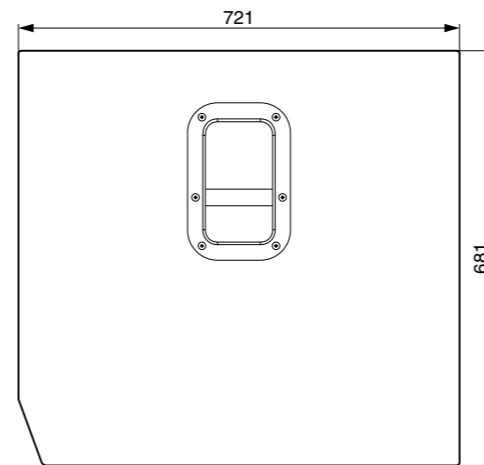
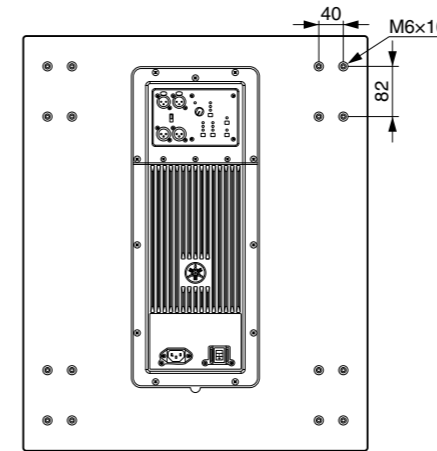
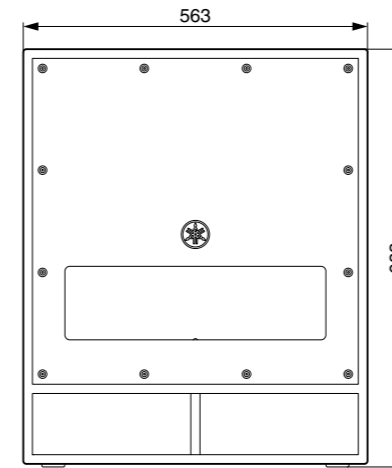
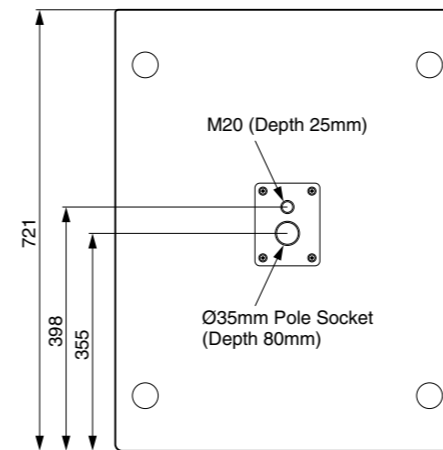
*1 Power rating (120 V, 25°C). This value is measured by releasing the software protection.

Block Diagram

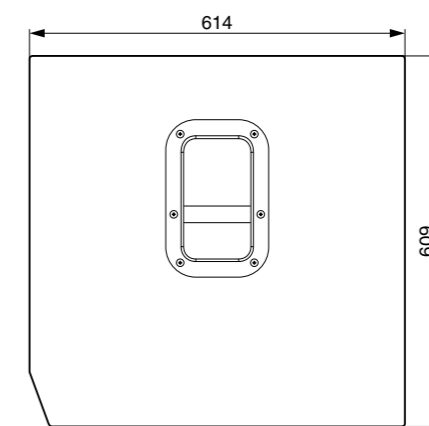
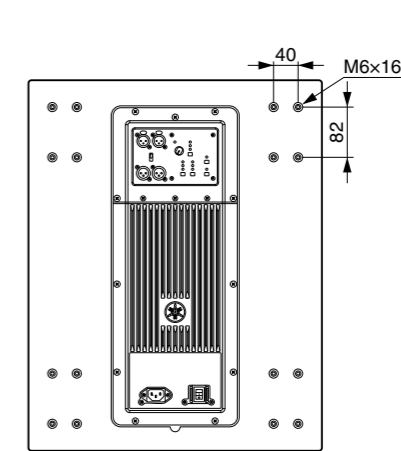
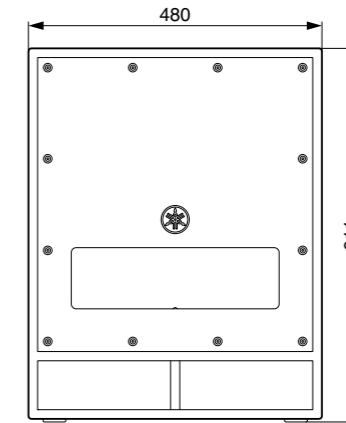
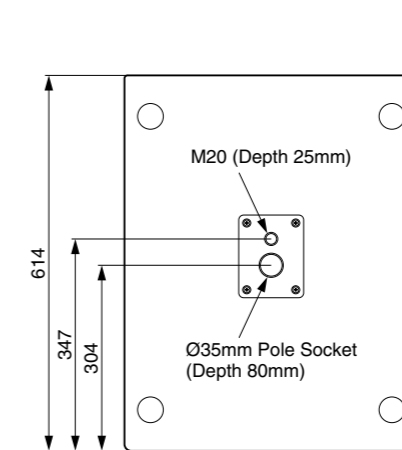


Dimensions

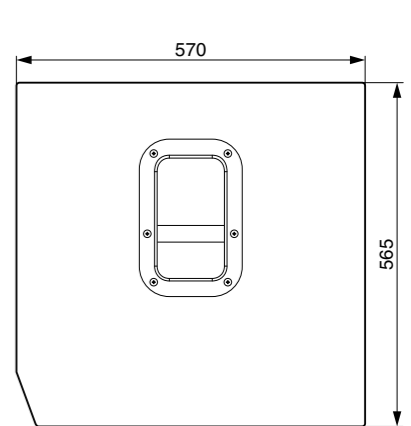
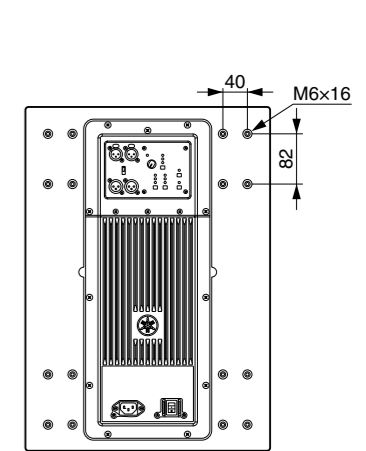
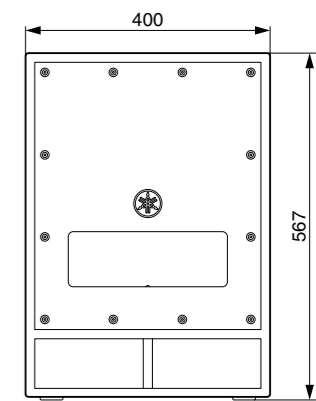
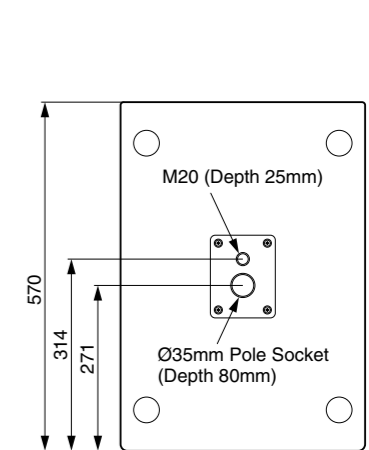
DXS18



DXS15mkII



DXS12mkII



* The contents of this manual apply to the latest specifications as of the publishing date. To obtain the latest manual, access the Yamaha website then download the manual file.

Unit: mm

