

Overview

Perfectly suited for use with DZR full-range speakers, the DXS15XLF/DXS15LFW is a powered bass-reflex type subwoofer with extended low frequency, producing a best-in class maximum SPL of 136 dB with superb clarity and power.



DXS15XLF



DXS15LFW

Features

- Powered 15" subwoofer with 4" Voice Coil
- Maximum 136dB SPL and 33Hz-150Hz frequency range is ideal for today's sound engineering demands
- High power 1600W Class-D amplifier module
- 96kHz DSP and FIR filter for true high-definition sound with super low latency
- Access a variety of DSP functions and load presets, or make precise adjustments to PEQ, delay and routing etc. via the intuitive LCD display
- Equipped with D-XSUB processing and cardioid mode capability
- Lightweight yet very durable plywood cabinet with premium grade Polyurea coating
- Optional speaker cover (SPCVR-DXS15X) and wheel kit (SPW-1)
- Durable black or white finish

Specifications

General Specifications

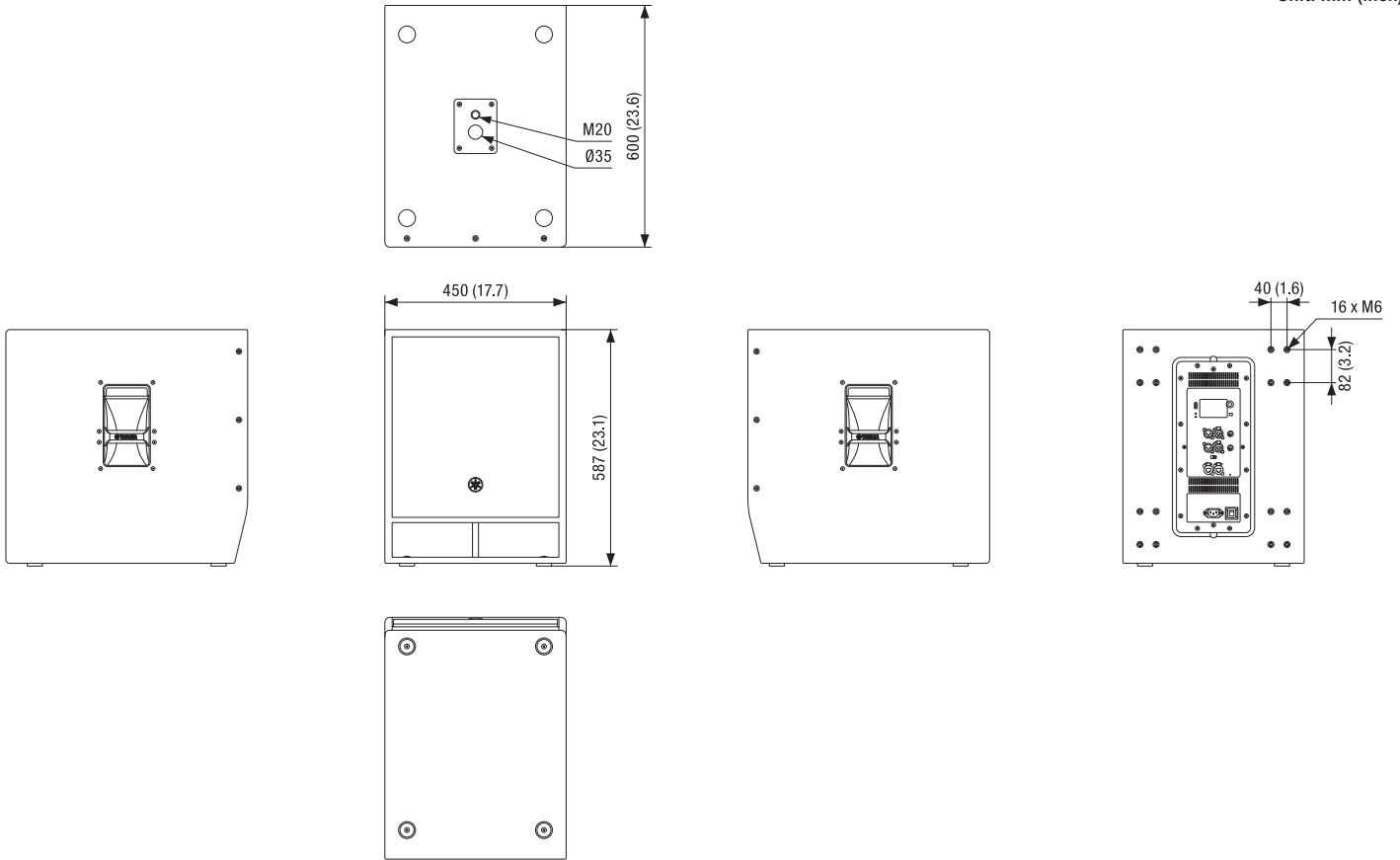
Speaker Type		Powered Subwoofer, bass-reflex
Frequency Range (-10dB)		33Hz - 150Hz
Coverage Area		-
Components	LF	15" Cone, 4" Voice Coil, Ferrite magnet
	MF	-
	HF	-
Crossover		-
Sampling Frequency Rate	Internal	96kHz and FIR Filter
A/D D/A Converters		96kHz AD/DA
Maximum Output Level (1m; on axis)		136dB SPL *1
Power Rating	Dynamic	1600W *2
	Burst (20ms)	1300W
	Continuous	1200W
I/O Connectors	Analog I/O	Analog IN: Combo x 2, Line level (Maximum +24dBu), Input impedance 20kΩ, Analog OUT: XLR3-32 x 2, CH1/2: THRU or DSP OUT
	Others	USB2.0 Host 5V 500mA for USB memory DATA storage/load
	AC	IEC AC inlet x 1 (V-Lock)
Amplifier Class		Class-D
Cooling		Fan cooling, Variable speeds
Power Consumption		40W (Idle), 180W (1/8)
Handle		Aluminium die-cast, Side x 2
Rigging		-
Dimensions (W x H x D)		450mm x 587mm (with rubber feet) x 600mm (17.7" x 23.1" x 23.6")
Net Weight		40.0kg (88.2lbs)
Options		Cover: SPCVR-DXS15X, Caster: SPW-1
Others		Enclosure Material, Finish, Color: Plywood, Durable Polyurea Painting, Black/White
Floor Monitor Angle		-
Pole Socket		Ø35mm (depth 80mm), M20 Threaded (depth 25mm)

*1 Measured peak SPL with pink noise @1m.

*2 Total peak power of individual outputs (AC 120V, 25°C). This value was measured at minimum load impedance, with protection released.

Dimensions

Unit: mm (inch)



Options

- Speaker Cover SPCVR-DXS15X
- Wheel Kit SPW-1

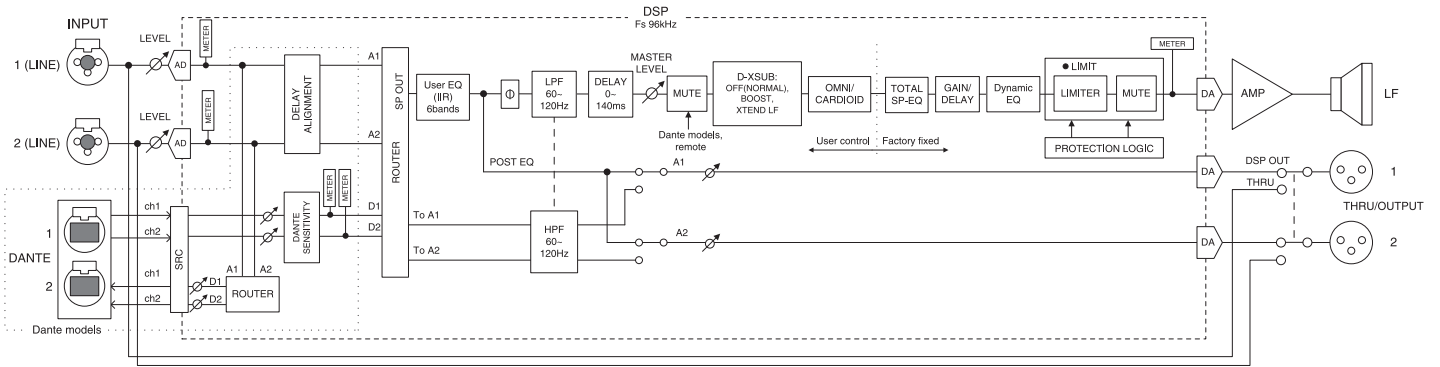
Architectural and Engineering Specifications

The Yamaha DXS15XLF shall be a powered bass-reflex subwoofer for sound reinforcement applications. The loudspeaker shall have one 15" cone low-frequency transducer with a 4" voice coil and include configurable built-in digital signal processing. The continuous power rating shall be 1200 watts. The loudspeaker shall be capable of meeting the following performance criteria: reproduction frequency range shall be 33 Hz to 150 Hz (-10 dB), and maximum output SPL shall be 136 dB (peak, pink noise @ 1m). The loudspeaker's amplifier shall be an efficient class-D type. Two XLR/TRS combo connectors shall be provided for line-level analog audio input. Two XLR analog audio output connectors shall be provided, switchable for THRU or DSP output.

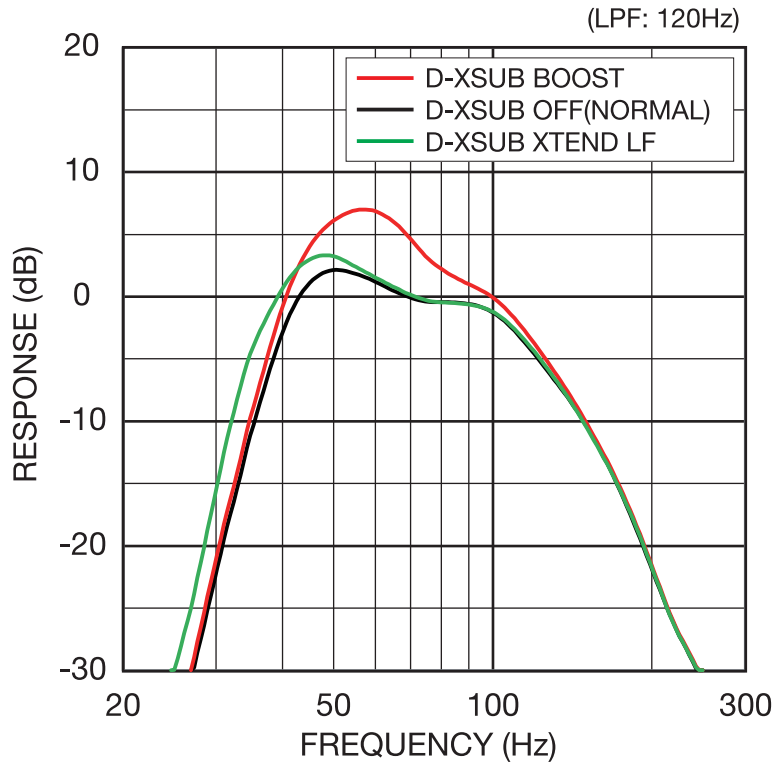
The loudspeaker shall provide built-in digital signal processing at a sample rate of 96 kHz, using 96 kHz analog-to-digital/digital-to-analog converters. Digital signal processing shall provide overall and dynamic EQ for optimum sound quality. User configurable DSP functions shall be accessible via an LCD display panel and include routing, mute, LPF, HPF, 6-band EQ, delay, panel setup, panel lock, and others. D-XSUB LF processing shall also be provided for low-frequency management, and a switchable Cardioid mode shall be provided for improved low-frequency directivity when multiple subwoofers are used. Digital signal processing shall further be used to provide system-wide protection. Preset setups shall be provided, and on-board memory shall be provided for internal user setting storage. A USB port shall allow user settings to be saved to USB flash memory for external storage or transfer to other DXS series loudspeakers.

The loudspeaker enclosure shall be constructed of high-grade plywood and finished with a durable polyurea coating. The dimensions of the loudspeaker shall be 450 x 587 x 600 mm (W x H x D, including rubber feet). The weight shall be 40.0 kg.

Block Diagrams



Frequency Response



*All information subject to change without notice.

*All trademarks and registered trademarks are property of their respective owners.

Created in June, 2020