

# DXS18 DXS15mkII DXS12mkII

## Technical Specifications

### General Specifications

0 dBu is referenced to 0.775 Vrms.

| General                                    | DXS18                             | DXS15mkII    | DXS12mkII    |
|--|-----------------------------------|--------------|--------------|
| System Type                                | Powered subwoofer, band-pass type |              |              |
| Frequency Range (-10 dB)                   | 32 Hz–120 Hz                      | 40 Hz–150 Hz | 42 Hz–150 Hz |
| Measured Maximum SPL (Peak Pink Noise@1 m) | 136 dB SPL                        | 135 dB SPL   | 134 dB SPL   |

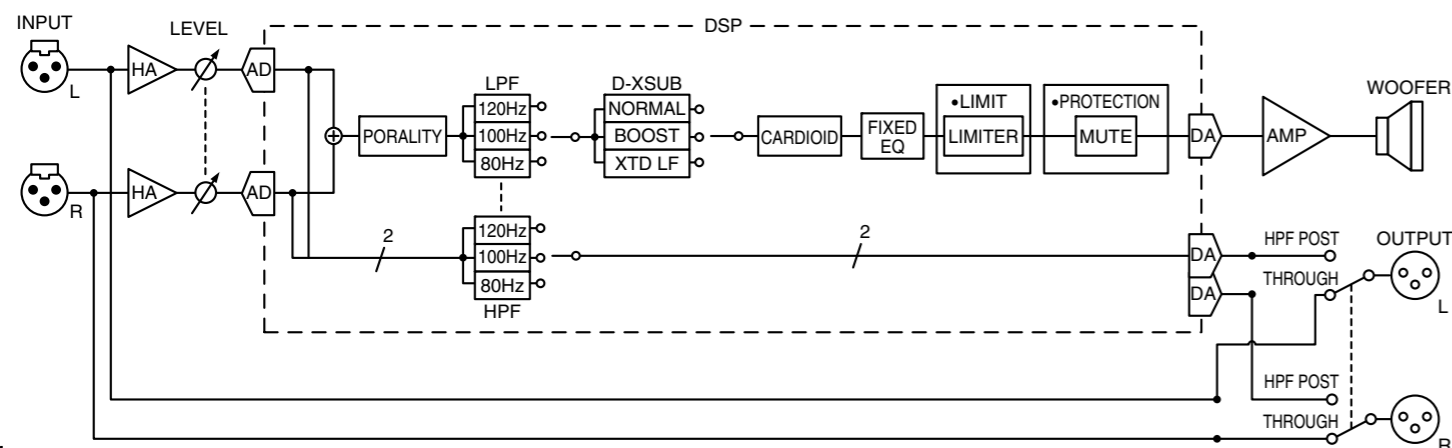
| Transducer | DXS18    | DXS15mkII | DXS12mkII |
|------------|----------|-----------|-----------|
| LF         |          |           |           |
| Diameter   | 18" cone | 15" cone  | 12" cone  |
| Voice coil | 4"       | 2.5"      | 2.5"      |
| Magnet     | Ferrite  | Ferrite   | Ferrite   |

| Enclosure                                | DXS18  | DXS15mkII                                     | DXS12mkII                                     |
|--|--|---|---|
| Material, Finish, Color                  | Meranti Plywood, Durable Polyurea Coating, Black   |   |   |
| Dimensions (W x H x D, with rubber feet) | 563 x 683 x 721 mm<br>(22.2" x 26.8" x 28.4")      | 480 x 611 x 614 mm<br>(18.9" x 24.1" x 24.2") | 400 x 567 x 570 mm<br>(15.7" x 22.3" x 22.4") |
| Net Weight                               | 49.7 kg (110 lbs)                                  | 36.0 kg (79 lbs)                              | 30.0 kg (66 lbs)                              |
| Handles                                  | Steel, side x 2                                    |   |   |
| Pole Sockets                             | Ø35 mm (depth: 80 mm), M20 (threaded depth: 25 mm) |   |   |

| Amplifier                          | DXS18   | DXS15mkII   | DXS12mkII |
|------------------------------------|---|---|-----------|
| Amplifier Type                     | Class-D   |   |           |
| Power Rating *1                    | Dynamic   | 1,020 W   |           |
|                                    | Continuous  | 800 W   |           |
| Cooling                            | Natural Convection  |   |           |
| AD/DA                              | 24 bit / 48 kHz Sampling  |   |           |
| LPF                                | 80 Hz, 100 Hz, 120 Hz, 24 dB/Oct.   |   |           |
| DSP Preset                         | D-XSUB: BOOST, XTD LF, NORMAL   |   |           |
| Protection                         | Speaker   | Clip Limiting, Integral Power Protection, DC-fault, Power Switch ON/OFF |           |
|                                    | Amplifier   | Thermal, Output Through Current   |           |
|                                    | Power   | Thermal, Over Voltage   |           |
| Connectors                         | Input   | XLR3-31 x 2   |           |
|                                    | Output  | XLR3-32 x 2 (THROUGH or HPF POST)                                       |           |
|                                    | Power   | IEC AC inlet x 1 (V-Lock)   |           |
| Input Impedance                    | 20 kΩ   |   |           |
| Input Sensitivity (LEVEL: maximum) | 0 dBu   |   |           |
| Input Sensitivity (LEVEL: center)  | +10 dBu   |   |           |
| Maximum Input Level                | +24 dBu   |   |           |
| Controls                           | LEVEL, POLARITY, X-OVER, D-XSUB, CARDIOID, THROUGH/HPF POST, FRONT LED DISABLE, POWER |   |           |
| Idle Power Consumption             | 35 W  |   |           |
| 1/8 Power Consumption              | 100 W   |   |           |
| Power Requirements                 | 100 V–240 V, 50/60 Hz   |   |           |

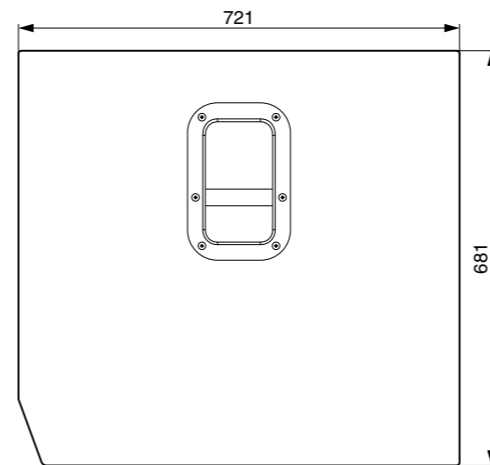
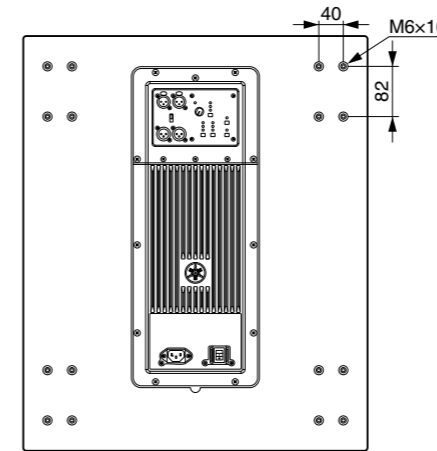
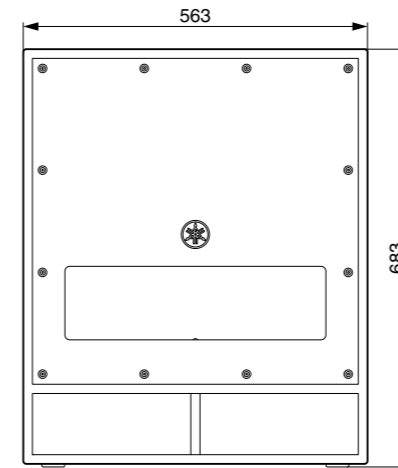
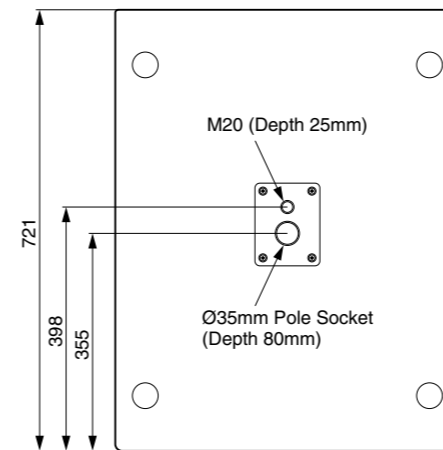
\*1 Power rating (120 V, 25°C). This value is measured by releasing the software protection.

### Block Diagram

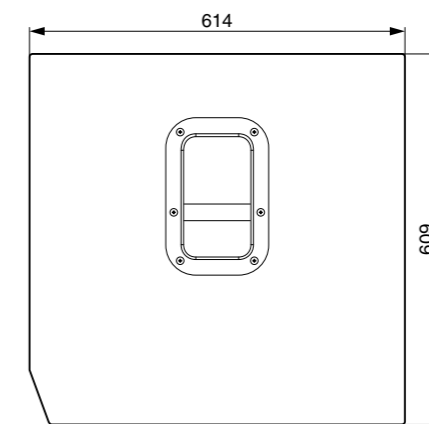
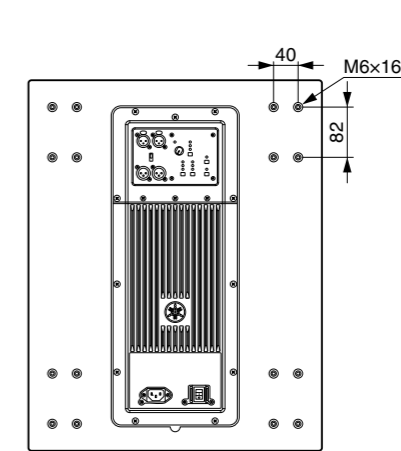
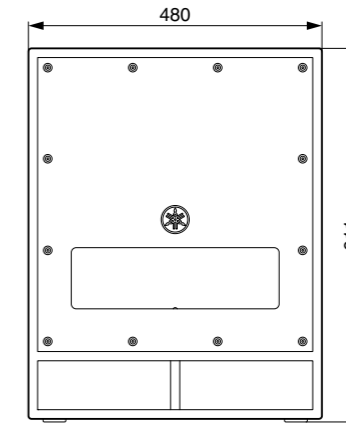
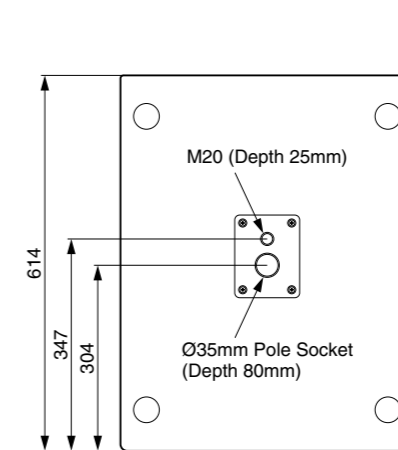


### Dimensions

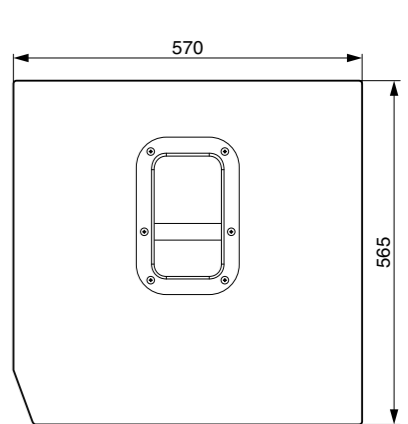
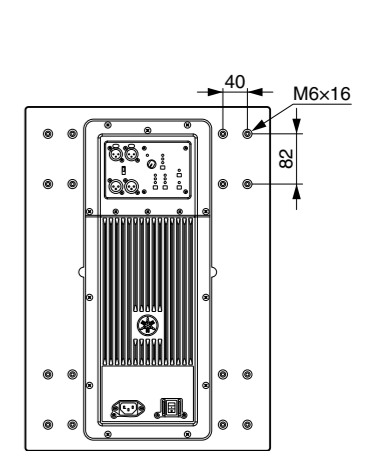
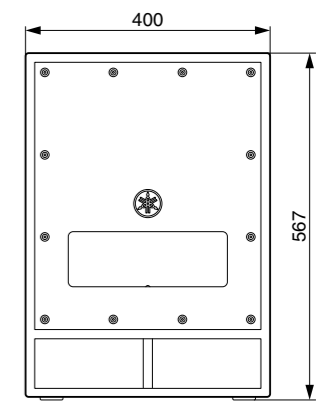
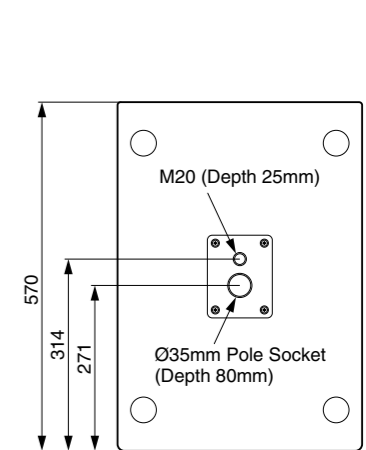
#### DXS18



#### DXS15mkII



#### DXS12mkII



\* The contents of this manual apply to the latest specifications as of the publishing date. To obtain the latest manual, access the Yamaha website then download the manual file.

Unit: mm

## Important Notice: Guarantee Information for customers in European Economic Area (EEA) and Switzerland

| English   |
|---|
| <b>Important Notice: Guarantee Information for customers in EEA* and Switzerland</b><br>For detailed guarantee information about this Yamaha product, and Pan-EEA* and Switzerland warranty service, please either visit the website address below (Printable file is available at our website) or contact the Yamaha representative office for your country. * EEA: European Economic Area   |
| Deutsch   |
| <b>Wichtiger Hinweis: Garantie-Information für Kunden in der EWR* und der Schweiz</b><br>Für nähere Garantie-Information über dieses Produkt von Yamaha, sowie über den Pan-EWR*- und Schweizer Garantieservice, besuchen Sie bitte entweder die folgend angegebene Internetadresse (eine druckfähige Version befindet sich auch auf unserer Webseite), oder wenden Sie sich an den für Ihr Land zuständigen Yamaha-Vertrieb. *EWR: Europäischer Wirtschaftsraum                          |
| Français  |
| <b>Remarque importante: informations de garantie pour les clients de l'EEE et la Suisse</b><br>Pour des informations plus détaillées sur la garantie de ce produit Yamaha et sur le service de garantie applicable dans l'ensemble de l'EEE ainsi qu'en Suisse, consultez notre site Web à l'adresse ci-dessous (le fichier imprimable est disponible sur notre site Web) ou contactez directement Yamaha dans votre pays de résidence. * EEE <span> </span> : Espace Economique Européen |
| Nederlands  |
| <b>Belangrijke mededeling: Garantie-informatie voor klanten in de EER* en Zwitserland</b><br>Voor gedetailleerde garantie-informatie over dit Yamaha-product en de garantieservice in heel de EER* en Zwitserland, gaat u naar de onderstaande website (u vindt een afdrukbaar bestand op onze website) of neemt u contact op met de vertegenwoordiging van Yamaha in uw land. * EER: Europese Economische Ruimte   |
| Español   |
| <b>Aviso importante: información sobre la garantía para los clientes del EEE* y Suiza</b><br>Para una información detallada sobre este producto Yamaha y sobre el soporte de garantía en la zona EEE* y Suiza, visite la dirección web que se incluye más abajo (la versión del archivo para imprimir esta disponible en nuestro sitio web) o póngase en contacto con el representante de Yamaha en su país. * EEE: Espacio Económico Europeo   |
| Italiano  |
| <b>Avviso importante: informazioni sulla garanzia per i clienti residenti nell'EEA* e in Svizzera</b><br>Per informazioni dettagliate sulla garanzia relativa a questo prodotto Yamaha e l'assistenza in garanzia nei paesi EEA* e in Svizzera, potete consultare il sito Web all'indirizzo riportato di seguito (è disponibile il file in formato stampabile) oppure contattare l'ufficio di rappresentanza locale della Yamaha. * EEA: Area Economica Europea                           |
| Português   |
| <b>Aviso importante: informações sobre as garantias para clientes da AEE* e da Suíça</b><br>Para obter uma informação pormenorizada sobre este produto da Yamaha e sobre o serviço de garantia na AEE* e na Suíça, visite o site a seguir (o arquivo para impressão está disponível no nosso site) ou entre em contato com o escritório de representação da Yamaha no seu país. * AEE: Área Económica Europeia  |
| Ελληνικά  |
| <b>Σημαντική σημείωση: Πληροφορίες εγγύησης για τους πελάτες στον ΕΟΧ* και Ελβετία</b><br>Για λεπτομερείς πληροφορίες εγγύησης σχετικά με το παρόν προϊόν της Yamaha και την κάλυψη εγγύησης σε όλες τις χώρες του ΕΟΧ και την Ελβετία, επισκεφτείτε την παρακάτω ιστοσελίδα (Εκτυπίσιμη μορφή είναι διαθέσιμη στην ιστοσελίδα μας) ή απευθυνθείτε στην αντιπροσωπεία της Yamaha στη χώρα σας. * ΕΟΧ: Ευρωπαϊκός Οικονομικός Χώρος  |
| Svenska   |
| <b>Viktigt: Garantiinformation för kunder i EES-området* och Schweiz</b><br>För detaljerad information om denna Yamahaprodukt samt garantiservice i hela EES-området* och Schweiz kan du antingen besöka nedanstående webbadress (en utskriftsvänlig fil finns på webbplatsen) eller kontakta Yamahas officiella representant i ditt land. * EES: Europeiska Ekonomiska Samarbetsområdet  |
| Norsk   |
| <b>Viktig merknad: Garantiinformasjon for kunder i EØS* og Sveits</b><br>Detaljert garantiinformasjon om dette Yamaha-produktet og garantiservice for hele EØS-området* og Sveits kan fås enten ved å besøke nettstedren nedenfor (utskriftsversjon finnes på våre nettsider) eller kontakte Yamahas kontaktpunktet i landet der du bor. *EØS: Det europeiske økonomiske samarbeidsområdet  |
| Dansk   |
| <b>Vigtig oplysning: Garantioplysninger til kunder i EØO* og Schweiz</b><br>De kan finde detaljerede garantioplysninger om dette Yamaha-produkt og den fælles garantiserviceordning for EØO* (og Schweiz) ved at besøge det websted, der er angivet nedenfor (der findes en fil, som kan udskrives, på vores websted), eller ved at kontakte Yamahas nationale repræsentationskontor i det land, hvor De bor. * EØO: Det Europæiske Økonomiske Område                                     |
| Suomi   |
| <b>Tärkeä ilmoitus: Takuutiedot Euroopan talousalueen (ETA)* ja Sveitsin asiakkaille</b><br>Tämän Yamaha-tuotteen sekä ETA-alueen ja Sveitsin takuuta koskevat yksityiskohtaiset tiedot saatte alla olevasta nettiosoitteesta. (Tulostettava tiedosto saatavissa sivustollamme.) Voitte myös ottaa yhteyttä paikalliseen Yamaha-edustajaan. *ETA: Euroopan talousalue   |
| Polski  |
| <b>Ważne: Warunki gwarancyjne obowiązujące w EOG* i Szwajcarii</b><br>Aby dowiedzieć się więcej na temat warunków gwarancyjnych tego produktu firmy Yamaha i serwisu gwarancyjnego w całym EOG* i Szwajcarii, należy odwiedzić wskazaną poniżej stronę internetową (Plik gotowy do wydruku znajduje się na naszej stronie internetowej) lub skontaktować się z przedstawicielstwem firmy Yamaha w swoim kraju. * EOG — Europejski Obszar Gospodarczy                                      |
| Česky   |
| <b>Důležité oznámení: Záruční informace pro zákazníky v EHS* a ve Švýcarsku</b><br>Podrobné záruční informace o tomto produktu Yamaha a záručním servisu v celém EHS* a ve Švýcarsku naleznete na níže uvedené webové adrese (soubor k tisku je dostupný na našich webových stránkách) nebo se můžete obrátit na zastoupení firmy Yamaha ve své zemi. * EHS: Evropský hospodářský prostor   |
| Magyar  |
| <b>Fontos figyelemzetetés: Garancia-információk az EGT* területén és Svájcban élő vásárlók számára</b><br>A jelen Yamaha termékre vonatkozó részletes garancia-információk, valamint az EGT*-re és Svájcra kiterjedő garanciális szolgáltatás tekintetében keresse fel webhelyünket az alábbi címen (a webhelyen nyomtatható fájl is talál), vagy pedig lépjen kapcsolatba az országában működő Yamaha képviselői irodával. * EGT: Európai Gazdasági Térség                               |
| Eesti keel  |
| <b>Oluline märkus: Garantiiteave Euroopa Majanduspiirkonna (EMP)* ja Šveitsi klientidele</b><br>Täpsema teabe saamiseks selle Yamaha toote garantii ning kogu Euroopa Majanduspiirkonna ja Šveitsi garantiiteeniduse kohta, külastage palun veebisaiti alljärgneval aadressil (meie saidil on saadaval printitav fail) või pöörduge Teie regiooni Yamaha esinduse poole. * EMP: Euroopa Majanduspiirkond  |
| Latviešu  |
| <b>Svarīgs paziņojums: garantijas informācija klientiem EEZ* un Šveicē</b><br>Lai saņemtu detalizētu garantijas informāciju par šo Yamaha produktu, kā arī garantijas apkalpošanu EEZ* un Šveicē, lūdzu, apmeklējiet zemāk norādīto tīmekļa vietnes adresi (tīmekļa vietnē ir pieejams drukājams fails) vai sazinieties ar jūsu valsti apkalpojošo Yamaha pārstāvniecību. * EEZ: Eiropas Ekonomikas zona  |
| Lietuvių kalba  |
| <b>Dėmesio: informacija dėl garantijos pirkėjams EEE* ir Šveicarijoje</b><br>Jei reikia išsamios informacijos apie šį „Yamaha“ produktą ir jo techninę priežiūrą visoje EEE* ir Šveicarijoje, apsilankykite mūsų svetainėje toliau nurodytu adresu (svetainėje yra spausdintinas failas) arba kreipkitės į „Yamaha“ atstovybę savo šaliai. *EEE – Europos ekonominė erdvė   |
| Slovenčina  |
| <b>Dôležité upozornenie: Informácie o záruke pre zákazníkov v EHP* a Švajčiarsku</b><br>Podrobné informácie o záruke týkajúce sa tohto produktu od spoločnosti Yamaha a garančnom servise v EHP* a Švajčiarsku nájdete na webovej stránke uvedenej nižšie (na našej webovej stránke je k dispozícii súbor na tlač) alebo sa obráťte na zástupcu spoločnosti Yamaha vo svojej krajine. * EHP: Európsky hospodársky priestor  |
| Slovenščina   |
| <b>Pomembno obvestilo: Informacije o garanciji za kupce v EGP* in Švici</b><br>Za podrobnejše informacije o tem Yamahinem izdelku ter garancijskem servisu v celotnem EGP in Švici, obiščite spletno mesto, ki je navedeno spodaj (natisljiva datoteka je na voljo na našem spletnem mestu), ali se obrnite na Yamahinega predstavnika v svoji državi. * EGP: Evropski gospodarski prostor  |
| Български език  |
| <b>Важно съобщение: Информация за гаранцията за клиенти в ЕИП* и Швейцария</b><br>За подробна информация за гаранцията за този продукт на Yamaha и гаранционното обслужване в паневропейската зона на ЕИП* и Швейцария или посетете посочения по-долу уеб сайт (на нашия уеб сайт има файл за печат), или се свържете с представителния офис на Yamaha във вашата страна. * ЕИП: Европейско икономическо пространство   |
| Limba română  |
| <b>Notificare importantă: Informații despre garanție pentru clienții din SEE* și Elveția</b><br>Pentru informații detaliate privind acest produs Yamaha și serviciul de garanție Pan-SEE* și Elveția, vizitați site-ul la adresa de mai jos (fișierul imprimabil este disponibil pe site-ul nostru) sau contactați biroul reprezentanței Yamaha din țara dumneavoastră . * SEE: Spațiul Economic European   |

**http://europe.yamaha.com/warranty/**

URL\_4

### ADDRESS LIST

| NORTH AMERICA  |
|--|
| <b>CANADA</b><br><b>Yamaha Canada Music Ltd.</b><br>135 Milner Avenue, Toronto, Ontario, M1S 3R1, Canada<br>Tel: +1-416-298-1311   |
| <b>U.S.A.</b><br><b>Yamaha Corporation of America</b><br>6600 Orangethorpe Avenue, Buena Park, CA 90620, U.S.A.<br>Tel: +1-714-522-9011  |
| CENTRAL & SOUTH AMERICA  |
| <b>MEXICO</b><br><b>Yamaha de México, S.A. de C.V.</b><br>Av. Insurgentes Sur 1647 Piso 9, Col. San José Insurgentes, Delegación Benito Juárez, México, D.F., C.P. 03900, México<br>Tel: +52-55-5804-0600  |
| <b>BRAZIL</b><br><b>Yamaha Musical do Brasil Ltda.</b><br>Rua Fidêncio Ramos, 302 – Cj 52 e 54 – Torre B – Vila Olímpia – CEP 04551-010 – São Paulo/SP, Brazil<br>Tel: +55-11-3704-1377  |
| <b>ARGENTINA</b><br><b>Yamaha Music Latin America, S.A., Sucursal Argentina</b><br>Olga Cossetini 1553, Piso 4 Norte, Madero Este-C1107CEK, Buenos Aires, Argentina<br>Tel: +54-11-4119-7000   |
| <b>PANAMA AND OTHER LATIN AMERICAN COUNTRIES/ CARIBBEAN COUNTRIES</b><br><b>Yamaha Music Latin America, S.A.</b><br>Edif. Torre Banco General, Piso 7, Urbanización Marbella, Calle 47 y Aquilino de la Guardia, Ciudad de Panamá, República de Panamá<br>Tel: +507-269-5311 |
| EUROPE   |
| <b>THE UNITED KINGDOM/IRELAND</b><br><b>Yamaha Music Europe GmbH (UK)</b><br>Sherbourne Drive, Tilbrook, Milton Keynes, MK7 8BL, U.K.<br>Tel: +44-1908-366700  |
| <b>GERMANY</b><br><b>Yamaha Music Europe GmbH</b><br>Siemensstrasse 22-34, 25462 Rellingen, Germany<br>Tel: +49-4101-303-0   |
| <b>SWITZERLAND/LIECHTENSTEIN</b><br><b>Yamaha Music Europe GmbH, Branch Switzerland in Thalwil</b><br>Seestrasse 18a, 8800 Thalwil, Switzerland<br>Tel: +41-44-3878080   |
| <b>AUSTRIA/BULGARIA/ CZECH REPUBLIC/HUNGARY/ ROMANIA/SLOVAKIA/SLOVENIA</b><br><b>Yamaha Music Europe GmbH Branch Austria</b><br>Schleiergasse 20, 1100 Wien, Austria<br>Tel: +43-1-60203900  |
| <b>POLAND</b><br><b>Yamaha Music Europe GmbH Sp.z o.o. Oddzial w Polsce</b><br>ul. Wielicka 52, 02-657 Warszawa, Poland<br>Tel: +48-22-880-08-88   |
| <b>MALTA</b><br><b>Olimpus Music Ltd.</b><br>Valletta Road, Mosta MST9010, Malta<br>Tel: +356-2133-2093  |
| AFRICA   |
| <b>Yamaha Music Gulf FZE</b><br>JAFZA-16, Office 512, P.O.Box 17328, Jebel Ali FZE, Dubai, UAE<br>Tel: +971-4-801-1500   |
| MIDDLE EAST  |
| <b>TURKEY</b><br><b>Yamaha Music Europe GmbH Merkezi Almanya Türkiye İstanbul Şubesi</b><br>Maslak Meydan Sokak, Spring Giz Plaza Bagimsiz Böl. No:3, Sariyer Istanbul, Turkey<br>Tel: +90-212-999-8010  |
| <b>OTHER COUNTRIES</b><br><b>Yamaha Music Gulf FZE</b><br>JAFZA-16, Office 512, P.O.Box 17328, Jebel Ali FZE, Dubai, UAE<br>Tel: +971-4-801-1500   |
| ASIA   |
| <b>THE PEOPLE’S REPUBLIC OF CHINA</b><br><b>Yamaha Music &amp; Electronics (China) Co.,Ltd.</b><br>2F, Yunhedasha, 1818 Xinzha-lu, Jingan-qu, Shanghai, China<br>Tel: +86-400-051-7700   |
| <b>INDIA</b><br><b>Yamaha Music India Private Limited</b><br>P-401, JMD Megapolis, Sector-48, Sohna Road, Gurgaon-122018, Haryana, India<br>Tel: +91-124-485-3300  |
| <b>INDONESIA</b><br><b>PT. Yamaha Musik Indonesia (Distributor)</b><br>Yamaha Music Center Bldg. Jalan Jend. Gatot Subroto Kav. 4, Jakarta 12930, Indonesia<br>Tel: +62-21-520-2577  |
| <b>KOREA</b><br><b>Yamaha Music Korea Ltd.</b><br>8F, Dongsung Bldg. 21, Teheran-ro 87-gil, Gangnam-gu, Seoul, 06169, Korea<br>Tel: +82-2-3467-3300  |
| <b>MALAYSIA</b><br><b>Yamaha Music (Malaysia) Sdn. Bhd.</b><br>No.8, Jalan Perbandaran, Kelana Jaya, 47301 Petaling Jaya, Selangor, Malaysia<br>Tel: +60-3-78030900  |
| <b>SINGAPORE</b><br><b>Yamaha Music (Asia) Private Limited</b><br>Block 202 Hougang Street 21, #02-00, Singapore 530202, Singapore<br>Tel: +65-6740-9200   |
| <b>TAIWAN</b><br><b>Yamaha Music &amp; Electronics Taiwan Co.,Ltd.</b><br>2F., No.1, Yuandong Rd., Banqiao Dist., New Taipei City 22063, Taiwan (R.O.C.)<br>Tel: +886-2-7741-8888  |
| <b>THAILAND</b><br><b>Siam Music Yamaha Co., Ltd.</b><br>3, 4, 15, 16th Fl., Siam Motors Building, 891/1 Rama 1 Road, Wangmai, Pathumwan, Bangkok 10330, Thailand<br>Tel: +66-2215-2622  |
| <b>VIETNAM</b><br><b>Yamaha Music Vietnam Company Limited</b><br>15th Floor, Nam A Bank Tower, 201-203 Cach Mang Thang Tam St., Ward 4, Dist.3, Ho Chi Minh City, Vietnam<br>Tel: +84-8-3818-1122  |
| <b>OTHER ASIAN COUNTRIES</b><br>http://asia.yamaha.com/  |
| OCEANIA  |
| <b>AUSTRALIA</b><br><b>Yamaha Music Australia Pty. Ltd.</b><br>Level 1, 80 Market Street, South Melbourne, VIC 3205, Australia<br>Tel: +61-3-9693-5111   |
| <b>COUNTRIES AND TRUST TERRITORIES IN PACIFIC OCEAN</b><br>http://asia.yamaha.com/   |

PA50

**Head Office/Manufacturer: Yamaha Corporation** 10-1, Nakazawa-cho, Naka-ku, Hamamatsu, 430-8650, Japan  
**(For European Countries) Importer: Yamaha Music Europe GmbH** Siemensstrasse 22-34, 25462 Rellingen, Germany

Manual Development Group

© 2017 Yamaha Corporation

Published 11/2017 发行 POEI-A0