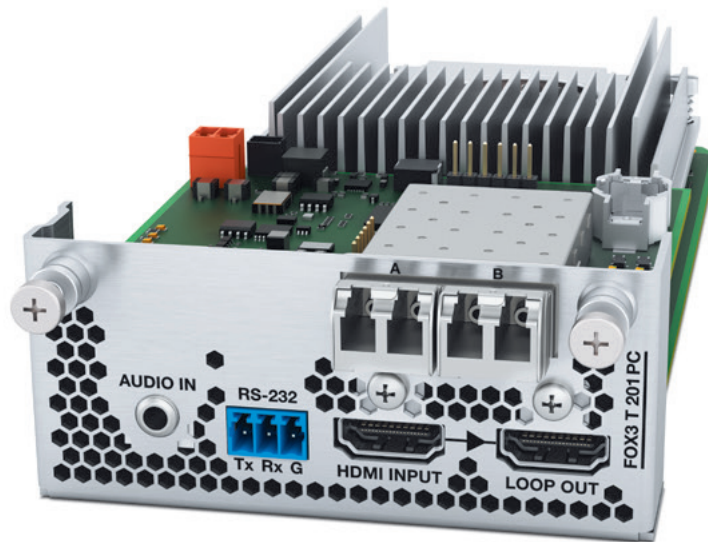


FOX3 T 201 PC

FIBER OPTIC TRANSMITTER FOR HDMI, AUDIO, AND CONTROL



FOX3
SYSTEMS

The Extron **FOX3 T 201 PC** Fiber Optic Transmitter is a compact single-slot module designed for the PowerCage 411 enclosure that provides HDMI video, stereo audio, and control signal extension over fiber. Engineered for exceptional high resolution image performance, it uses Extron all-digital technology to deliver perfect pixel-for-pixel, uncompressed transmission of images up to 4K/60 @ 4:4:4 over two fibers or mathematically lossless 4K/60 video over one fiber. Designed specifically for AV and KVM systems, the transmitter includes many integrator-friendly features such as Key Minder®, EDID Minder®, audio embedding, and real-time system monitoring.

- ▶ Extends HDMI, stereo audio, and RS-232 control signals very long distances over fiber optic cabling
- ▶ Supports mathematically lossless 4K video up to 4096x2160 at 60 Hz with a 4:4:4 chroma sampling over one fiber
- ▶ Supports uncompressed 4K video up to 4096x2160 at 60 Hz with a 4:4:4 chroma sampling over two fibers
- ▶ Supported HDMI 2.0 specification features include data rates up to 18 Gbps, Deep Color up to 12-bit, and 3D
- ▶ HDCP 2.3 compliant
- ▶ Hot-swappable modules designed for the PowerCage 411 enclosure
- ▶ Buffered HDMI input loop-through
- ▶ User-selectable HDCP authorization

Extron

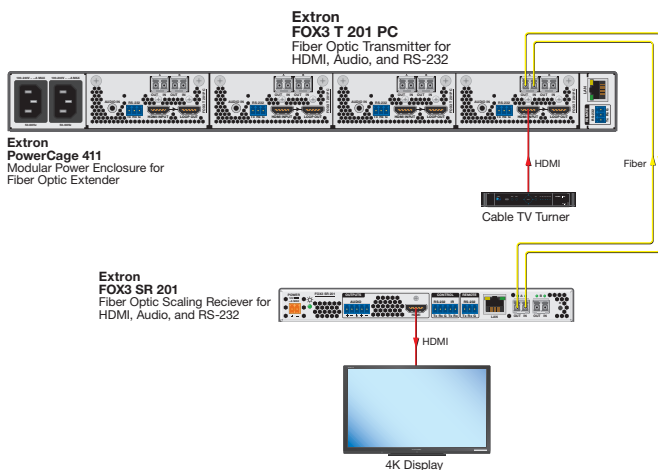
DESCRIPTION

The Extron **FOX3 Series**, which includes the **FOX3 T 201 PC** for the PowerCage 411, provides system designers and integrators with high performance fiber optic distribution solutions designed, engineered, and manufactured by Extron to meet the most demanding requirements of critical video and audio distribution applications. From point-to-point extension to fully non-blocking matrix applications up to 2000x2000 and beyond, FOX3 Systems securely deliver unrivaled performance and reliability to satisfy even the most discerning users.

KEY FEATURES

- ▶ **Key Minder®** continuously verifies HDCP compliance for quick, reliable switching
- ▶ **EDID Minder®** automatically manages EDID communication between connected devices
- ▶ **Audio embedding** – Analog audio signals are converted to digital HDMI audio.
- ▶ **Bidirectional RS-232 signal transmission over fiber optic cabling for AV device control**
- ▶ **LinkLicense Support**
- ▶ **RS-232 insertion from the Ethernet port on the PowerCage 411 enclosure**
- ▶ **Space-saving design enables up to four modules to be mounted in a single, 1U rack-mountable enclosure**
- ▶ **Compatible with Extron FOX3 Series matrix switchers to create HDCP-compliant signal distribution systems**

APPLICATION DIAGRAM



SPECIFICATIONS

TRUE 4K SPECIFICATION

Max 4K Capabilities		
Resolution and Refresh Rate	Chroma Sampling	Max Bit Depth per Color
4096 x 2160 at 60 Hz 3840 x 2160 at 60 Hz 4096 x 2160 at 30 Hz 3840 x 2160 at 30 Hz	4:4:4	8 bit
		10 bit
4096 x 2160 at 60 Hz 3840 x 2160 at 60 Hz	4:2:2	12 bit
4096 x 2160 at 30 Hz 3840 x 2160 at 30 Hz	4:4:4	
Frame rate³	24, 25, 30, 50, or 60 fps	
Chroma sampling³	4:4:4, 4:2:2	
Color bit depth^{2,3}	8, 10, or 12 bits per color	
Signal type	HDMI 2.0, HDCP 2.3	
Max. video data rate	18.0 Gbps	
NOTE: Optical data rate is 10 Gbps over one fiber and 20 Gbps over two fibers.		
NOTE: These transceivers are class 1 laser products. They meet the safety regulations of IEC-60825.		

OPTICAL FIBER INTERCONNECTION BETWEEN TRANSMITTER AND RECEIVER

Connectors	1, 2, or 3 LC connectors
Nominal peak wavelength	850 nm for multimode, 1310 nm for singlemode
Optical loss budget	
Singlemode	+7.4 dB, maximum
Multimode	+9.7 dB, maximum

VIDEO INPUT AND LOOP OUT

Number/signal type	1 HDMI input 1 HDMI loop out
---------------------------	---------------------------------

AUDIO INPUT

Number/signal type	1 digital audio, de-embedded from HDMI (2-CH, PCM only) or 1 analog stereo, unbalanced
---------------------------	---

USB HOST PORTS

FOX3 T 301 PC	
Number/signal type	1 USB HID 1 USB 2.0

FOX3 T 311 PC	
Number/signal type	1 USB HID

GENERAL

Power supply	Internal Powered by the PowerCage 411 Enclosure
---------------------	--

NOTE: All nominal levels are at ±10%.

Model	Version Description	Part number
FOX3 T 201 PC MM	Lossless 4K/60 Transmitter - Multimode	70-1224-11
FOX3 T 201 PC SM	Lossless 4K/60 Transmitter - Singlemode	70-1224-12
FOX3 T 201 PC MM	Uncompressed 4K/60 Transmitter - Multimode	70-1224-13
FOX3 T 201 PC SM	Uncompressed 4K/60 Transmitter - Singlemode	70-1224-14
PowerCage 411	Modular Power Enclosure for Fiber Optic Extenders	60-1492-02

For complete specifications, please go to www.extron.com
Specifications are subject to change without notice.

WORLDWIDE SALES OFFICES

Anaheim • Raleigh • Silicon Valley • Dallas • New York • Washington, DC • Toronto • Mexico City
Paris • London • Frankfurt • Stockholm • Amersfoort • Moscow • Dubai • Tel Aviv • Sydney • Melbourne
Bangalore • Mumbai • New Delhi • Singapore • Seoul • Shanghai • Beijing • Hong Kong • Tokyo

www.extron.com