

IPL 250

IP LINK® ETHERNET CONTROL PROCESSOR

- Ethernet control processor for TouchLink™ control systems
- Three bidirectional RS-232 ports
- Four IR ports for one-way control of external devices
- Four relays
- Four contact closure inputs
- Free, easy-to-use configuration utility
- Extensive library of A/V device drivers
- Supports direct Ethernet control of network-enabled A/V equipment
- IR learning capability
- Integral high performance Web server



The IPL 250 is an Ethernet control processor that is designed to work with an Extron TouchLink™ panel to create a configurable touchpanel control system. It combines a high performance Web server with three bidirectional serial ports, four IR ports, four relays, and four contact closure inputs for interfacing with common A/V devices and room systems.



Extron® Electronics
INTERFACING, SWITCHING AND CONTROL

DESCRIPTION

The IPL 250 is an Ethernet control processor that works together with a TouchLink™ panel to create a configurable touchpanel control system. The IPL 250 provides a full scope of A/V system control capabilities, including bidirectional serial ports, IR ports, relays, and contact closure inputs for interfacing with displays, switchers, sources, screen control, lighting systems, and more.

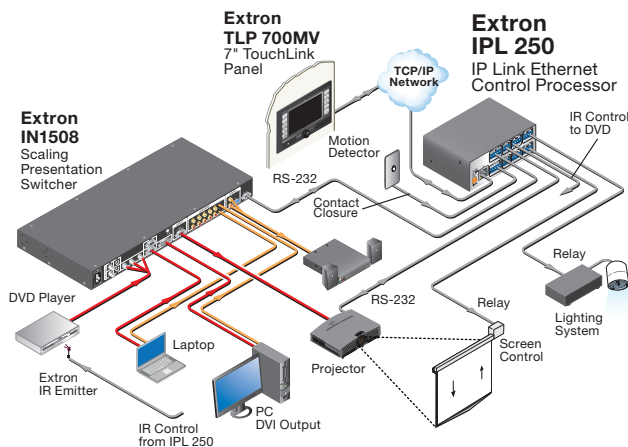
The IPL 250 is configured using Extron's free, easy-to-use Global Configurator software. Combined with our extensive library of ready-to-use device drivers, Global Configurator's intuitive step-by-step menus allow non-programmers to configure all functions of the control system as well as create sophisticated monitoring conditions and schedules.

The IPL 250 integrates seamlessly with Extron's award-winning GlobalViewer® Enterprise software and Free GlobalViewer® Web application for complete A/V resource monitoring, management, and control over a computer network.

FEATURES

- Control processor for TouchLink™ control systems
- Three bidirectional RS-232 ports
- Four IR ports for one-way control of external devices
- Four relays
- Four contact closure inputs
- Free, easy-to-use configuration utility
- Extensive library of A/V device drivers
- Supports Direct Ethernet Control of network-enabled A/V equipment
- IR learning capability
- Integral high performance Web server

APPLICATION DIAGRAM



SPECIFICATIONS

ETHERNET CONTROL INTERFACE

Connectors	1 RJ-45 female connector
Data rate	10/100Base-T, half/full duplex with autodetect
Protocols	ARP, ICMP (ping), IP, TCP, UDP, DHCP, HTTP, SMTP, Telnet
Default settings	Link speed and duplex level = autodetected IP address = 192.168.254.254 Subnet mask = 255.255.0.0 Gateway = 0.0.0.0 DHCP = off
Web server	Up to 200 simultaneous sessions 7.25 MB nonvolatile user memory
Program control	Extron Global Configurator 3 for Windows® Extron Simple Instruction Set® (SIS®) Microsoft® Internet Explorer®, Telnet
GlobalViewer requirements	Microsoft® Internet Explorer® ver. 6 or higher

SERIAL CONTROL INTERFACE

Quantity/type	3 bidirectional RS-232
Connectors	(1) 3.5 mm captive screw connector, 5 pole (2) 3.5 mm captive screw connectors, 3 pole
Baud rate and protocol	300 to 115200 baud Default settings (adjustable): 9600 baud, 8 data bits, 1 stop bit, no parity

IR CONTROL INTERFACE

Quantity/type	4 IR (carrier and non-carrier)
Connectors	(2) 3.5 mm captive screw connectors, 4 pole
IR output carrier frequency	30 kHz to 1 MHz

RELAY CONTROL INTERFACE

Quantity/type	4 normally open relays
Relay control connectors	(2) 3.5 mm captive screw connectors, 4 pole
Relay control contact rating	24 V, 1 A

CONTACT CLOSURE CONTROL INTERFACE

Quantity/type	4 contact closure inputs
Contact input control connector	(1) 3.5 mm captive screw connector, 5 pole
Contact closure (input only)	Input voltage range: 0 to 5 VDC, clamped at +5.1 V Threshold: 1.6 VDC

GENERAL

External power supply	100 VAC to 240 VAC, 50-60 Hz, external; to 12 VDC, 1 A, regulated
Temperature/humidity	Storage: -40 to +158 °F (-40 to +70 °C) / 10% to 90%, noncondensing Operating: +32 to +122 °F (0 to +50 °C) / 10% to 90%, noncondensing
Cooling	Convection, no vents
Mounting	Rack mount: Yes, with optional 1U rack shelf
Enclosure type	Metal
Enclosure dimensions	1.7" H x 4.3" W x 3.0" D (1U high, quarter rack wide) (4.3 cm H x 10.9 cm W x 7.6 cm D) (Depth excludes connectors.)
Product weight	0.7 lbs (0.3 kg)
Regulatory compliance	Safety: CE, c-UL, UL UL rated for use in plenum airspaces; meets UL 2043 for heat and smoke release, excluding the power supply; meets UL 60950 for safety. EMI/EMC: CE, C-tick, FCC Class A, ICES, VCCI Environmental: Complies with the appropriate requirements of RoHS, WEEE
Warranty	3 years parts and labor

Model	Version Description	Part number
IPL 250	IP Link Ethernet Control Processor	60-1026-81

Specifications are subject to change without notice.



Extron USA - West
Headquarters
+800.633.9876
Inside USA / Canada Only
+1.714.491.1500
+1.714.491.1517 FAX

Extron USA - East
+800.633.9876
Inside USA / Canada Only
+1.919.863.1794
+1.919.863.1797 FAX

Extron Europe
+800.3987.6673
Inside Europe Only
+31.33.453.4040
+31.33.453.4050 FAX

Extron Middle East
+971.4.2991800
+971.4.2991880 FAX

Extron Asia
+800.7339.8766
Inside Asia Only
+65.6383.4400
+65.6383.4664 FAX

Extron Japan
+81.3.3511.7655
+81.3.3511.7656 FAX

Extron China
+400.883.1568
Inside China Only
+86.21.3760.1568
+86.21.3760.1566 FAX