

LC6-S-L Ceiling Mount Satellite Speaker White

www.boschsecurity.com



BOSCH
Invented for life



- ▶ Quick-install design with captive mounting tabs to fit nearly any ceiling construction.
- ▶ Four-pin Phoenix connectors on ceiling satellite speakers support pass-thru wiring.
- ▶ UL 2043/1480 ratings allow for use in signaling applications and plenum air spaces.
- ▶ Ceiling cutout templates and all mounting accessories included.
- ▶ Available in white finish.

The LC6-S-L is a 16 ohm 2-inch ceiling mount background music speaker designed to be used in conjunction with the LC6-SW100-L subwoofer. The LC6-S-L provides for easy connections to the unit through a detachable phoenix style connector and mounts easily into a wide variety of ceiling materials with captive mounting tabs.

Certifications and approvals

Region	Certification
Europe	CE

Parts included

Quantity	Description
2	Ceiling mount satellite speakers
2	Grilles
2	C-ring supports
1	Cutout template

Quantity	Description
1	Engineering data sheet
2	Paint shields

* Ceiling Mount Satellite Speaker (1 box)

Technical specifications

Frequency Response (-10 dB):	180 Hz - 20 kHz ¹
Power Handling:	30 W ²
Sensitivity:	84 dB ¹
Impedance:	16 ohms
Maximum SPL:	102 dB
Voice Coverage (H x V):	150° x 150° ³
Music Program Coverage (H x V):	100° x 100° ⁴
Transducer:	50 mm (1.97 in)
Connectors:	Phoenix (4-pin)
Enclosure:	Steel & ABS (fire rated)

Transformer Taps:	N/A
Dimensions (H x Dia):	119 mm x 135 mm (4.7 in x 5.3 in)
Cutout Size:	114 mm (4.49 in)
Net Weight (each):	0.82 kg (1.8 lb)
Shipping Weight (pair):	2.34 kg (5.16 lb)
Included Accessories:	C-Ring

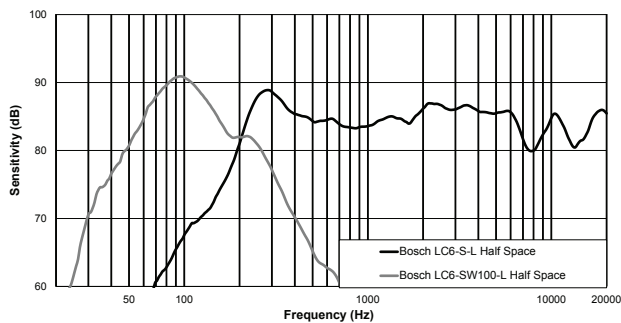
¹Half space.

²Long Term Program Rating, 3 dB greater than continuous noise pink noise rating.

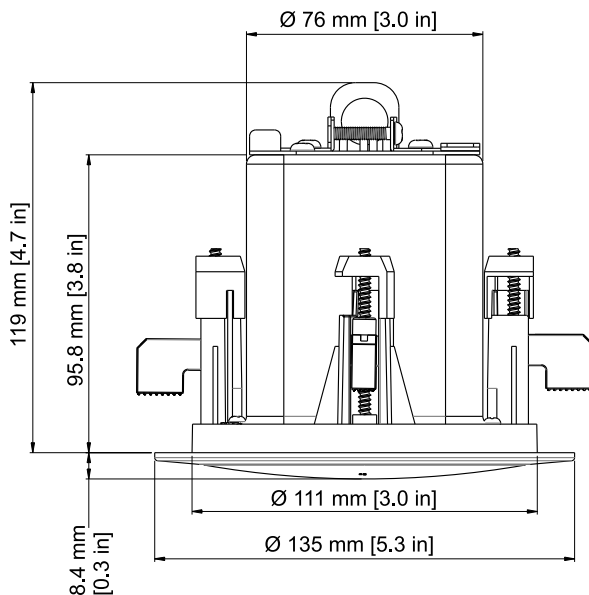
³Average 1 kHz – 4 kHz.

⁴Average 1 kHz – 8 kHz.

Frequency Response:



Dimensions:



Ordering information

LC6-S-L Ceiling Mount Satellite Speaker White

Ceiling mount satellite speaker system (priced and sold in pairs) - white finish

Order number **LC6-S-L**

Represented by:

Americas:

Bosch Security Systems, Inc.
12000 Portland Avenue South
Burnsville MN 55337, USA
Phone: +1-800-392-3497
Fax: +1-800-955-6831
audiosupport@us.bosch.com
www.boschsecurity.com

Europe, Middle East, Africa:

Bosch Security Systems B.V.
P.O. Box 80002
5617 BA Eindhoven, The Netherlands
Phone: + 31 40 2577 284
Fax: +31 40 2577 330
emea.securitysystems@bosch.com
www.boschsecurity.com

Asia-Pacific:

Robert Bosch (SEA) Pte Ltd, Security
Systems
11 Bishan Street 21
Singapore 573943
Phone: +65 6571 2808
Fax: +65 6571 2699
apr.securitysystems@bosch.com
www.boschsecurity.asia

China:

Bosch (Shanghai) Security Systems Ltd.
201 Building, No. 333 Fuquan Road
North IBP
Changning District, Shanghai
200335 China
Phone +86 21 22181111
Fax: +86 21 22182398
www.boschsecurity.com.cn

America Latina:

Robert Bosch Ltda Security Systems Division
Via Anhanguera, Km 98
CEP 13065-900
Campinas, Sao Paulo, Brazil
Phone: +55 19 2103 2860
Fax: +55 19 2103 2862
latam.boschsecurity@bosch.com
www.boschsecurity.com