



POWER AMPLIFIER

MA2030a PA2030a

ZV75870

Technical Specifications

保証書付き(日本専用)

Specifications

Outputs (Speaker Out)	MA2030a	PA2030a
Output power		
20msec burst (THD+N=1%)	3, 4, 8ohms	30W x 2ch
70V	60W x 1ch	
100V	60W x 1ch	
Terminal	7.62mm barrier strip 4pin	

Outputs (Line Out)	MA2030a	PA2030a
Line Out (MA2030a only)		
Actual source impedance	600Ω	—
For use with nominal	10kΩLines	—
Output Level	-10dBV (316.2mV)	—
Terminal	STEREO RCA PIN, unbalanced	—

Inputs	MA2030a	PA2030a
MIC IN 1-2 (MA2030a only)		
Terminal	MIC IN 1 XLR combo jack, balanced	—
	MIC IN 2 3.5mm Euroblock 3pin, balanced	—
STEREO IN		
Input Level (ST SOURCE Gain is set to maximum)	Sensitivity Nominal	-10.0 dBV (316.2 mV) -10.0 dBV (316.2 mV)
Max before clip		10.0 dBV (3.162 V)
Input Level (balance) (PA2030a only)	Sensitivity	—
Max before clip		4.0dBu (1.228V) 4.0dBu (1.228V) 24dBu (12.283V)
Terminal (MA2030a)	STEREO IN 1 STEREO mini Phone (3.5mm), unbalanced	—
	STEREO IN 2, 3 STEREO RCA PIN, unbalanced	—
Terminal (PA2030a)	LINE IN (Unbalance) LINE IN (Balance)	— STEREO RCA PIN, unbalanced 3.5mm Euroblock 3pin x 2

Electrical Characteristics		
Amplifier type (Output circuitry)		Class D
THD+N	1kHz, 15W, 30/40/80 Stereo In to Speaker Out 1kHz, 30W, 70V/100V Stereo In to Speaker Out	≤ 0.1% ≤ 0.2%
Frequency response	Line In to Line Out (MA2030a only) Line In to Speaker Out (50 to 20kHz, 1W, 3 or 4 or 8ohms) Line In to Speaker Out (90 to 20kHz, 1W, 70/100V)	0dB, -2.5dB, +1.0dB 0dB, -3.0dB, +1.0dB 0dB, -3.0dB, +1.0dB
Crosstalk	Stereo In to other Stereo In (MA2030a only)	≤ -70dB
Load protection	POWER switch on/off Output voltage protection DC-fault	Mute the output Compress output voltage when needed Power supply shutdown
Amplifier protection	Thermal Over current Integrated power limit	Limit output → Mute → Shutdown Mute the output (with automatic restoration) Compress output
Power supply protection	Thermal Over voltage Over current	Power supply shutdown Power supply shutdown Limit power → Power supply shutdown
Cooling		Conventional cooling, bottom to up airflow

Controls	MA2030a	PA2030a
Front Panel	POWER switch (seesaw), MIC IN 1 volume x 1, ST SOURCE encoder x 1, OUTPUT Volume x 1, BASS EQ Volume x 1, TREBLE EQ Volume x 1	POWER switch (seesaw), OUTPUT Volume x 1,
Rear Panel	AMP SETTING switch (100V 70V 30/40/80), SETUP switch (30/40/80), SPEAKER EQ SURFACE/CEILING/HPF 150Hz, MIC1 DUCKER, MIC2 DUCKER, STEREO/MONO, LEVELER), MIC IN 2 Volume x 1	AMP SETTING switch (100V 70V 30/40/80), SETUP switch (30/40/80), SPEAKER EQ SURFACE/CEILING/VXS10S(T), HPF 150Hz/LPF 150Hz/LPF 200Hz, STEREO/MONO)
Connectors	Analog In (Mic input) XLR/PHONE combo x 1 (Front), Euroblock x 1 (Rear)	—
Analog In (Line)	Stereo mini x 1 (Front), Stereo RCA x 2 (Rear)	Euroblock x 2 (Rear), Stereo RCA x 1 (Rear)
Analog Out (Line)	Stereo RCA x 1 (Rear)	—
Speakers	Barrier strip/ch	
Remote	RJ45 x 1 (DCP)	
Power	AC inlet x1	
Indicators	POWER x 1 (Green), MIC IN 1 SIGNAL x 1 (Green), ST SOURCE x 3 (Green), OUTPUT SIGNAL x 1 (Green), OUTPUT LIMIT x 1 (Red)	POWER x 1 (Green), OUTPUT SIGNAL x 1 (Green), OUTPUT LIMIT x 1 (Red)
AC power requirement	100V, 120V, 230V-240V 50Hz/60Hz (*1) *1 It has confirmed that it is working with ±10% of the voltage of the rated supply voltage.	
Power consumption	1/8 MAX power, 30, AC100V, Pink noise at all channel Idle, 30, AC100V	30W 30W
Precautions for rack mounting	Rack mountable (Leave more than 1U of spaces between this unit and others.)	
Operating temperature	0°C to +40°C	
Storage temperature	-20°C to +60°C	

General Specifications	MA2030a	PA2030a
Dimensions (W x H x D, including knob)	215mm x 54mm x 288mm 8.5 x 2.1 x 11.4 inch	
Net weight	1.8kg	
Included accessories	AC power cord (2.0m) x 1, Euroblock connector (3P) x 1, Owner's Manual x 1, Specification sheet x1	AC power cord (2.0m) x 1, Euroblock connector (3P) x 2, Owner's Manual x 1, Specification sheet x1
Optional accessories	Rack-mount Accessory (RKHT) Digital Control Panel (DCP1V4S-USJ-EU)	

Current Draw

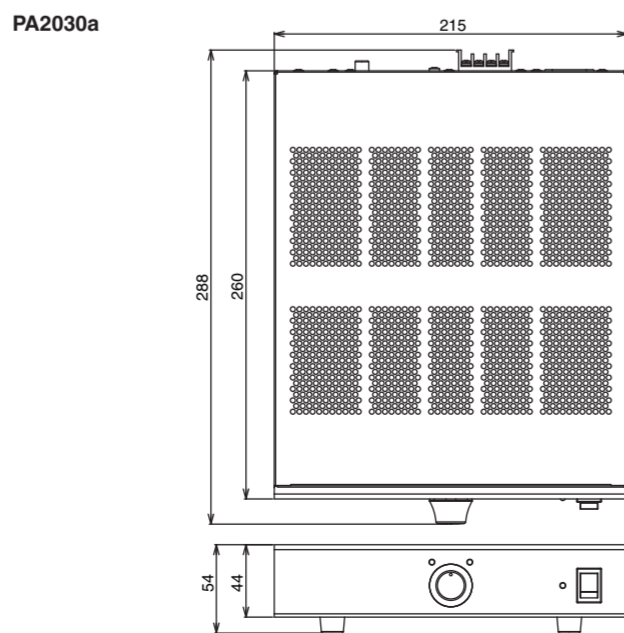
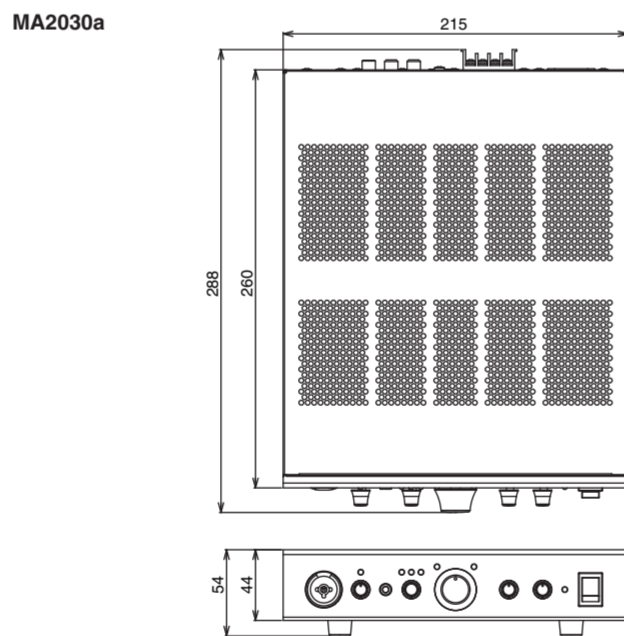
1/8 power is typical of program material with occasional clipping. Refer to these figures for most applications.
1/3 power represents program material with extremely heavy clipping
Test signal: Pink Noise, bandwidth limited from 22Hz to 22kHz
1W = 0.86kcal/h, 1BTU = 0.252kcal
Note that Line Voltage [V] x Line Current [A] = [VA], not equals to [W]

MODE	Line Current (A)	Power Consumption (W)	Watts Dissipated (W)	Heat Dissipation	
				Btu/h	kcal/h
standby	0.08A	0.1W	0.1W	0.3	0.1
idle	0.28A	14W	14W	48	12
1/8 output power	30W/3Ω	0.48A	27W	20W	67
	30W/4Ω	0.47A	26W	19W	63
	30W/8Ω	0.45A	24W	17W	56
	60W/70V	0.44A	24W	17W	56
	60W/100V	0.44A	24W	17W	56
	30W/3Ω	0.87A	52W	32W	109
1/3 output power	30W/4Ω	0.84A	49W	29W	99
	30W/8Ω	0.74A	43W	23W	78
	60W/70V	0.69A	40W	20W	68
	60W/100V	0.68A	40W	20W	68
	30W/3Ω	0.77A	52W	32W	109
	30W/4Ω	0.74A	49W	29W	99

MODE	Line Current (A)	Power Consumption (W)	Watts Dissipated (W)	Heat Dissipation	
				Btu/h	kcal/h
standby	0.12A	0.1W	0.1W	0.4	0.1
idle	0.27A	14W	14W	48	12
1/8 output power	30W/3Ω	0.42A	27W	20W	67
	30W/4Ω	0.42A	26W	19W	63
	30W/8Ω	0.40A	24W	17W	56
	60W/70V	0.39A	23W	16W	53
	60W/100V	0.39A	24W	17W	56
	30W/3Ω	0.77A	52W	32W	109
1/3 output power	30W/4Ω	0.74A	49W	29W	99
	30W/8Ω	0.64A	42W	22W	75
	60W/70V	0.59A	39W	19W	65
	60W/100V	0.59A	39W	19W	65
	30W/3Ω	0.77A	52W	32W	109
	30W/4Ω	0.74A	49W	29W	99

MODE	Line Current (A)	Power Consumption (W)	Watts Dissipated (W)	Heat Dissipation	
				Btu/h	kcal/h
standby	0.19A	0.4W	0.4W	1.4	0.3
idle	0.25A	16W	16W	53	13
1/8 output power	30W/3Ω	0.33A	28W	20W	69
	30W/4Ω	0.32A	27W	19W	65
	30W/8Ω	0.32A	26W	18W	62
	60W/70V	0.31A	25W	17W	59
	60W/100V	0.31A	25W	17W	59
	30W/3Ω	0.50A	51W	31W	107
1/3 output power	30W/4Ω	0.49A	49W	29W	100
	30W/8Ω	0.44A	42W	22W	76
	60W/70V	0.41A	39W	19W	64
	60W/100V	0.41A	39W	19W	64
	30W/3Ω	0.77A	52W	32W	109
	30W/4Ω	0.74A	49W	29W	99

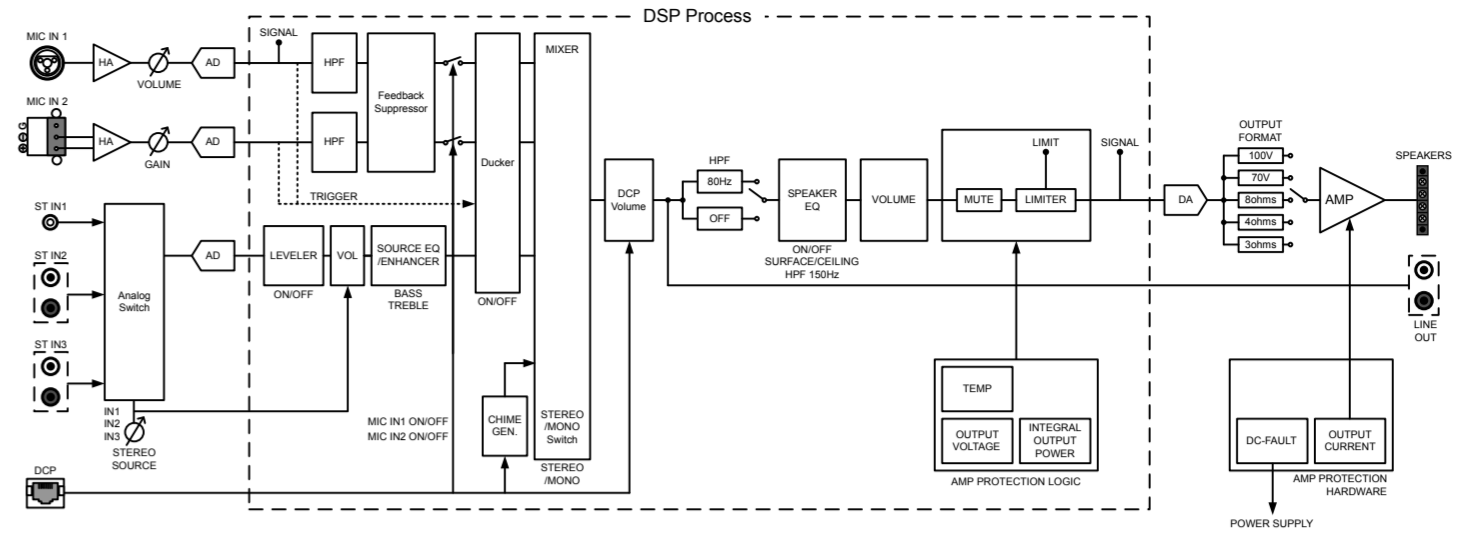
Dimensions



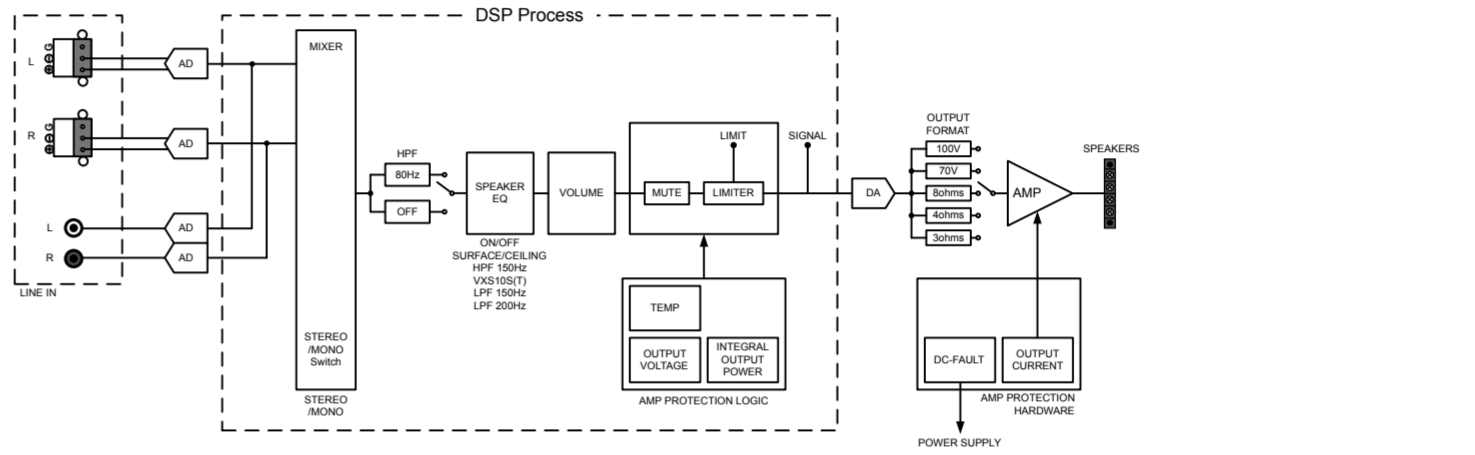
(unit: mm)

Block Diagram

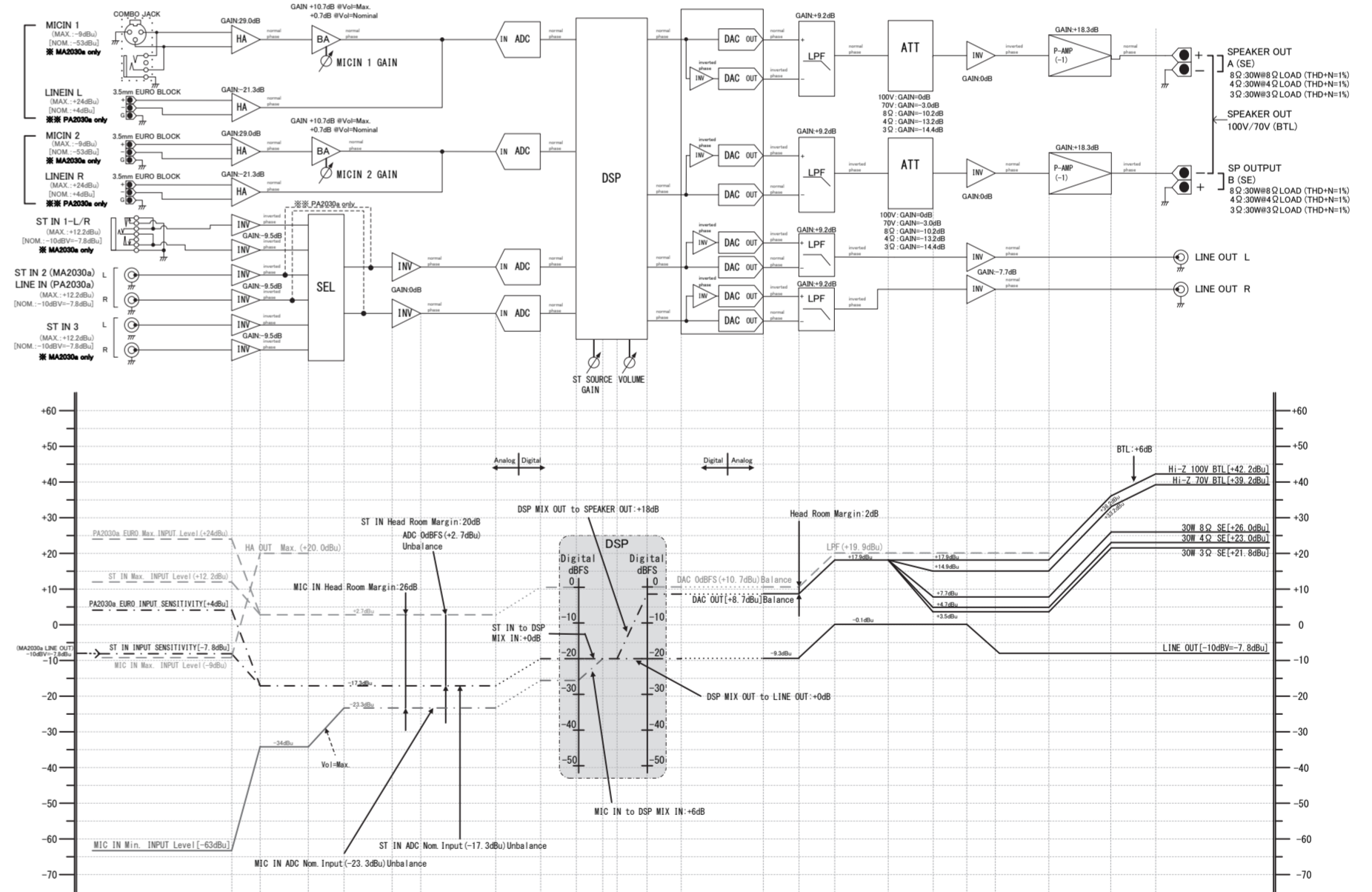
MA2030a



PA2030a



Level Diagram



Notice All internal equalizer settings are "Flat" position and all internal dynamics effects are "OFF" position.
ST SOURCE Gain is set to Maximum.

* The contents of this manual apply to the latest specifications as of the publishing date. To obtain the latest manual, access the Yamaha website then download the manual file.
* Der Inhalt dieser Bedienungsanleitung gilt für die neuesten technischen Daten zum Zeitpunkt der Veröffentlichung. Um die neueste Version der Anleitung zu erhalten, rufen Sie die Website von Yamaha auf und laden Sie dann die Datei mit der Bedienungsanleitung herunter.
* Le contenu de ce mode d'emploi s'applique aux dernières caractéristiques techniques connues à la date de publication du manuel. Pour obtenir la version la plus récente du manuel, accédez au site Web de Yamaha puis téléchargez le fichier du manuel concerné.
* El contenido de este manual se aplica a las últimas especificaciones según la fecha de publicación. Para obtener el último manual, acceda al sitio web de Yamaha y descargue el archivo del manual.
* O conteúdo deste manual se aplica às especificações mais recentes a partir da data de publicação. Para obter o manual mais recente, acesse o site da Yamaha e faça o download do arquivo do manual.

* Il contenuto del presente manuale si applica alle ultime specifiche tecniche a partire dalla data di pubblicazione. Per ottenere la versione più recente del manuale, accedere al sito Web Yamaha e scaricare il file corrispondente.
* В содержании данного руководства приведены последние на момент публикации технические характеристики. Для получения последней версии руководства посетите веб-сайт корпорации Yamaha и загрузите файл с руководством.
* 本使用说明书的内容为出版时最新的技术规格。请至Yamaha网站下载最新版本的使用说明书。
* 本書は、発行時点での最新仕様で説明しています。最新版は、ヤマハウェブサイトからダウンロードできます。

