



WALL-MOUNT CONTROLLER

MCP1

Installation Manual
Installationshandbuch
Manuel d'installation
Manual de instalación
Manual de instalação
Manuale all'installazione
Руководство по установке
施工説明書

EN
DE
FR
ES
PT
IT
RU
JA

English

Deutsch

Français

Español

Português

Italiano

Русский

日本語

FCC INFORMATION (U.S.A.)

1. IMPORTANT NOTICE: DO NOT MODIFY THIS UNIT!

This product, when installed as indicated in the instructions contained in this manual, meets FCC requirements. Modifications not expressly approved by Yamaha may void your authority, granted by the FCC, to use the product.

2. IMPORTANT: When connecting this product to accessories and/or another product use only high quality shielded cables. Cable/s supplied with this product **MUST** be used. Follow all installation instructions. Failure to follow instructions could void your FCC authorization to use this product in the USA.

3. NOTE: This product has been tested and found to comply with the requirements listed in FCC Regulations, Part 15 for Class "B" digital devices. Compliance with these requirements provides a reasonable level of assurance that your use of this product in a residential environment will not result in harmful interference with other electronic devices. This equipment generates/uses radio frequencies and, if not installed and used according to the instructions found in the users manual, may cause interference harmful to the operation of other

electronic devices. Compliance with FCC regulations does not guarantee that interference will not occur in all installations. If this product is found to be the source of interference, which can be determined by turning the unit "OFF" and "ON"; please try to eliminate the problem by using one of the following measures:

Relocate either this product or the device that is being affected by the interference.

Utilize power outlets that are on different branch (circuit breaker or fuse) circuits or install AC line filter/s.

In the case of radio or TV interference, relocate/reorient the antenna. If the antenna lead-in is 300 ohm ribbon lead, change the lead-in to co-axial type cable.

If these corrective measures do not produce satisfactory results, please contact the local retailer authorized to distribute this type of product. If you can not locate the appropriate retailer, please contact Yamaha Corporation of America, Electronic Service Division, 6600 Orangethorpe Ave, Buena Park, CA90620

The above statements apply **ONLY** to those products distributed by Yamaha Corporation of America or its subsidiaries.

(class B)

This device complies with Part 15 of the FCC Rules. Operation is subject to the following two conditions: (1) this device may not cause harmful interference, and (2) this device must accept any interference received, including interference that may cause undesired operation.

CAN ICES-3 (B)/NMB-3(B)

(can_b_02)

이 기기는 가정용(B급) 전자파적합기기로서 주로 가정에서 사용하는 것을 목적으로 하며, 모든 지역에서 사용할 수 있습니다.

(class b korea)

PRECAUTIONS

PLEASE READ CAREFULLY BEFORE PROCEEDING

Please keep this manual in a safe place for future reference.



WARNING

Always follow the basic precautions listed below to avoid the possibility of serious injury or even death from electrical shock, short-circuiting, damages, fire or other hazards. These precautions include, but are not limited to, the following:

Do not open

- This device contains no user-serviceable parts. Do not open the device or attempt to disassemble the internal parts or modify them in any way. If it should appear to be malfunctioning, discontinue use immediately and have it inspected by qualified Yamaha service personnel.

Water warning

- Do not expose the device to rain, use it near water or in damp or wet conditions, or place on it any containers (such as vases, bottles or glasses) containing liquids which might spill into any openings. If any liquid such as water seeps into the device, turn off the power of the PoE injector or the PoE network switch immediately and unplug the cable. Then have the device inspected by qualified Yamaha service personnel.
- Never insert or remove a cable with wet hands.

Fire warning

- Do not place any burning items or open flames near the device, since they may cause a fire.

If you notice any abnormality

- If any of the following problems occur, immediately turn off the PoE injector or the PoE network switch and disconnect the cable.
 - Unusual smells or smoke are emitted.
 - Some object has been dropped into the device.
 - Cracks or other visible damage appear on the device.
 Then have the device inspected or repaired by qualified Yamaha service personnel.



CAUTION

Always follow the basic precautions listed below to avoid the possibility of physical injury to you or others, or damage to the device or other property. These precautions include, but are not limited to, the following:

Location

- Do not place the device in a location where it may come into contact with corrosive gases or salt air. Doing so may result in malfunction.
- Always consult qualified Yamaha service personnel if the device installation requires construction work, and make sure to observe the following precautions.
 - Choose mounting hardware and an installation location that can support the weight of the device.
 - Avoid locations that are exposed to constant vibration.
 - Use the required tools to install the device.
 - Inspect the device periodically.

Handling caution

- Avoid inserting or dropping foreign objects (paper, plastic, metal, etc.) into any gaps or openings on the device (panel, etc.). If this happens, immediately turn off the power of the PoE injector or the PoE network switch, unplug the cable, and have the device inspected by qualified Yamaha service personnel.

- Do not rest your weight on the device or place heavy objects on it. Avoid applying excessive force to the buttons, switches or connectors to prevent injuries.

Yamaha cannot be held responsible for damage caused by improper use or modifications to the device.

NOTICE

To avoid the possibility of malfunction/ damage to the product, damage to data, or damage to other property, follow the notices below.

Handling and maintenance

- Do not use the device in the vicinity of a TV, radio, AV equipment, mobile phone, or other electric devices. Otherwise, the device, TV, or radio may generate noise.
- Do not expose the device to excessive dust or vibration, or extreme cold or heat (such as in direct sunlight, near a heater, or in a car during the day), in order to prevent the possibility of panel disfiguration, unstable operation, or damage to the internal components.
- Do not place vinyl, plastic or rubber objects on the device, since this might discolor the panel.
- When cleaning the device, use a dry and soft cloth. Do not use paint thinners, solvents, cleaning fluids, or chemical-impregnated wiping cloths.
- Condensation can occur in the device due to rapid, drastic changes in ambient temperature—when the device is moved from one location to another, or air conditioning is turned on or off, for example. Using the device while condensation is present can cause damage. If there is reason to believe that condensation might have occurred, leave the device for several hours without turning on the power until the condensation has completely dried out.
- Be sure to operate the switch with bare hands. The switch will not work properly if operated with gloved hands.

Information

About functions/data bundled with the device

- Use STP (Shielded Twisted Pair) cable to prevent electromagnetic interference.

Regarding disposal

- This product contains recyclable components. When disposing of this product, please contact the appropriate local authorities.

About this manual

- The illustrations and screens as shown in this manual are for instructional purposes only.
- The company names and product names in this manual are the trademarks or registered trademarks of their respective companies.
- Software may be revised and updated without prior notice.

Contents

PRECAUTIONS	3
Introduction	6
Controls and Connectors	7
Front Panel	7
Rear Panel	8
Connections with an MTX/MRX system	9
Function tree	10
Installation	11
Setting the UNIT ID	13
Removal	14
Initializing the MCP1	14
Alert list	15
Specifications	17
Dimensions	18

Included items

- Mounting plate
- Surface mount box
- Side panel × 2
- Main unit — mounting plate screws × 4 (with washers)
- Mounting plate — surface mount box screws × 4 (without washers)
- MCP1 installation manual (this document)

Firmware update

MTX-MRX Editor is used to update the firmware of the MCP1 and to check the version. For details on how to perform these operations, refer to “MTX-MRX Editor User Guide.” The latest firmware can be downloaded from the download page of the following website.
<http://www.yamahaproaudio.com/>

Introduction

Thank you for purchasing the Yamaha MCP1 wall-mount controller. This product is a wall-mount controller for controlling the MTX/MRX system. This installation manual explains how to mount the unit when the installing technician or the designer installs or sets-up the system. In order to take full advantage of this product's many functions, be sure to read this installation manual before installation.

After reading this manual, keep it for future reference.

The MCP1 lets you set up a home page and six pages, and assign up to 36 parameters.

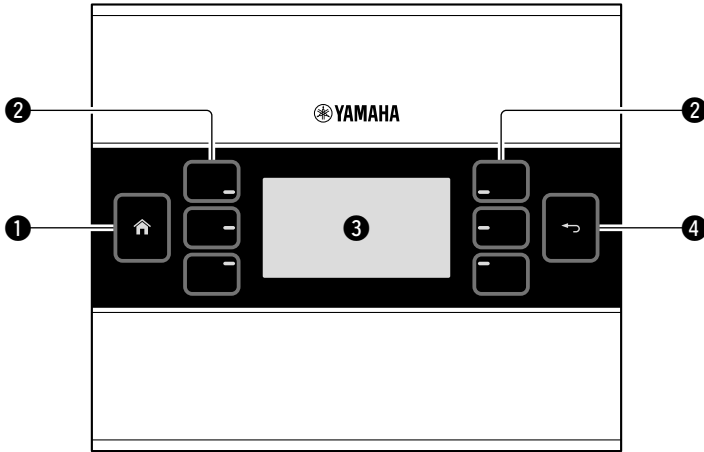
What you'll need to provide

When attaching the MCP1 to a wall, you'll need to provide several items.

- **PoE injector or PoE network switch that supports IEEE802.3af**
This is used between the MTX/MRX system and the MCP1 in order to supply power to the MCP1.
PoE injector units and PoE network switches are collectively referred to as "PSE (Power Sourcing Equipment)."
- **Ethernet cables (CAT5e or better)**
These are used between the MTX/MRX and the PSE, and between the PSE and the MCP1.
- **(If embedding the unit in the wall)**
2-gang box (without separator; 20 mm or greater depth)
You'll also need screws for attaching the gang box to the wall.
- **(If using a surface mount box)**
Screws for attaching the surface mount box to the wall × 4
Provide M4.0 flat head screws of a length appropriate for the thickness of the wall.
- **Phillips screwdriver / electric screwdriver**
This is used for installation.

Controls and Connectors

Front Panel



1 Home switch

Touch this to return to the home page.

If you long-touch (more than two seconds) when the home page or another page is displayed, you'll move to the utility page. If you long-press this while the display is locked or sleeping, the lock or sleep state is defeated.

2 L1/2/3 and R1/2/3 switches

Use these switches to move from the home page to another page, or to operate parameters. Use MTX-MRX Editor to specify the pages or parameters.

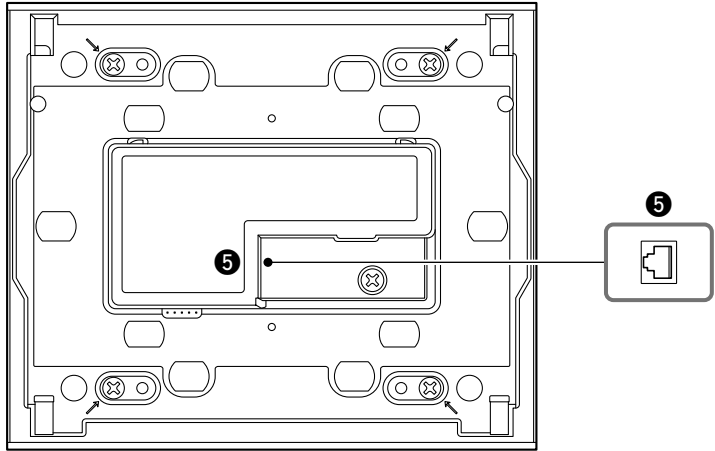
3 Display

This shows parameters and other information. Use MTX-MRX Editor to create the data that will be shown.

4 Return switch

After setting a parameter, touch this switch to confirm and return to the page or to move to a confirmation screen.

Rear Panel



5 NETWORK port

This is an RJ-45 port for connection to the Dante port or [NETWORK] port of the MTX/MRX via the PSE.

The maximum cable length that can be used is 100 meters.

NOTE

Use STP (Shielded Twisted Pair) cable to prevent electromagnetic interference.

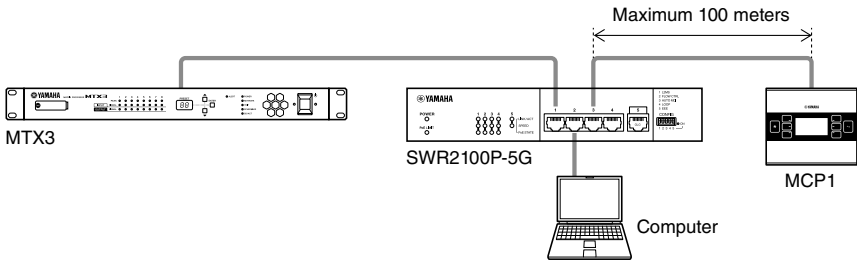
Connections with an MTX/MRX system

Up to 16 MCP1 units can be connected to an MTX/MRX system.

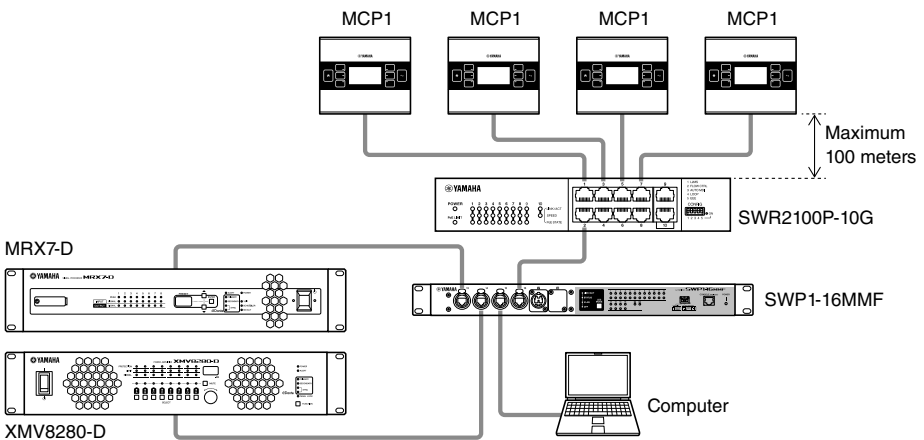
Use an Ethernet cable to connect the MTX/MRX's [NETWORK] port or Dante port to a PoE network switch, and use an Ethernet cable to connect the PoE network switch to the MCP1. If the network switch does not support PoE, connect a PoE injector between the network switch and the MCP1.

In some cases, the PSE (PoE network switch or PoE injector) might have ports that supply power and ports that do not supply power. Connect the MCP1 to a port that supplies power. For details on how to synchronize each device, refer to "MTX-MRX Editor User Guide."

Connections for a small system

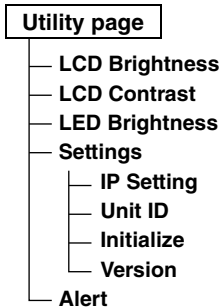


Connections for a large system



Function tree

If you long-touch (more than two seconds) the home switch when the home page or another page is displayed, you'll move to the utility page. The utility page contains the following function tree.



- **LCD Brightness**

Adjusts the brightness of the display backlight. Higher numbers increase the brightness.

- **LCD Contrast**

Adjusts the contrast of the display. Higher numbers increase the contrast.

- **LED Brightness**

Adjusts the brightness of the switches. Higher numbers increase the brightness.

- **Settings**

Moves to the settings page.

After synchronizing with MTX-MRX Editor, it will be necessary to enter the PIN code.

- **IP Setting**

Selects either PC or UNIT ID as the method of specifying the MCP1's IP address.

In the case of PC, use MTX-MRX Editor to specify the IP address.

In the case of UNIT ID, the IP address will be 192.168.0.UNIT ID.

After selecting PC or UNIT ID, touch the return switch to move to the confirmation screen and automatically restart.

- **Unit ID**

Specifies the MCP1's UNIT ID. The range of this setting is 01 through FE.

If IP Setting is UNIT ID, make settings so that there is no conflict with the IP address of another device.

After specifying UNIT ID, touch the return switch to move to the confirmation screen and automatically restart.

- **Initialize**

Initializes the MCP1.

- **Version**

Display the firmware version of MCP1.

- **Alert**

Display the alert number which has occurred current.

Installation

The MCP1 can be installed on a wall in either of two ways: in a gang box that is embedded behind the wall, or in the included surface mount box which you attach to the surface of the wall in an exposed position.



CAUTION

Install the MCP1 no more than 2 meters above the floor. When MCP1 falls, it becomes a cause by which MCP1 is damaged or you or others are injured.

If embedding the unit in a gang box installed behind the wall

Orient the gang box behind the wall in a horizontal position; into the gang box, pass the cable that is connected to the PSE.

If installing the unit in the included surface mount box exposed on the surface of the wall

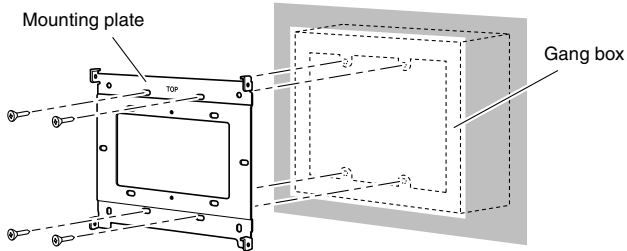
The surface mount box has a cut-out that allows you to open a hole through which to pass the cable. Open the hole in the cutout as necessary with a tool (such as a plier), pass the cable into the surface mount box, and secure it using M4.0 flat head screws which you provide.

1. Attach the mounting plate to the gang box or the surface mount box.

Orient it so that the side printed “TOP” is toward yourself and above.

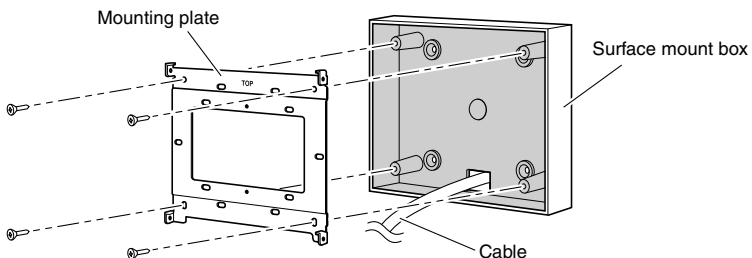
1- a. If using a gang box

Align the elongated holes of the mounting place with the screw holes of the gang box, and secure it in at least two locations.



1- b. If using a surface mount box

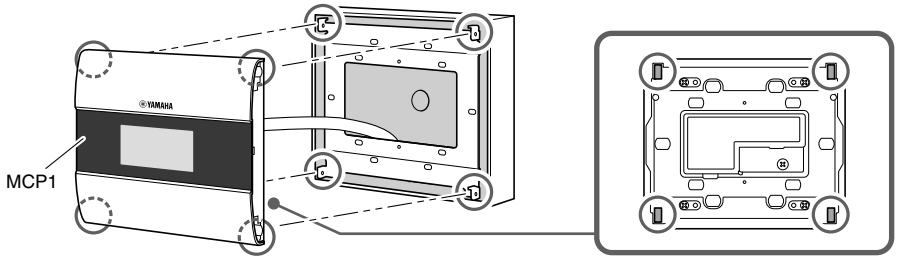
Use the included screws without washers (M3.0 × 12).



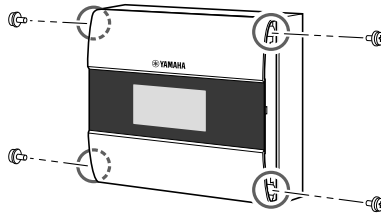
2. Connect the cable to the MCP1.

To the NETWORK port on the back of the MCP1, connect the cable that extends from the PSE.

3. Fit the tabs of the mounting plate into the square holes of the MCP1.



4. While pressing the unit, use the included screws with washers to secure the unit in four locations from the side.



5. Power-on the PSE.

NOTE

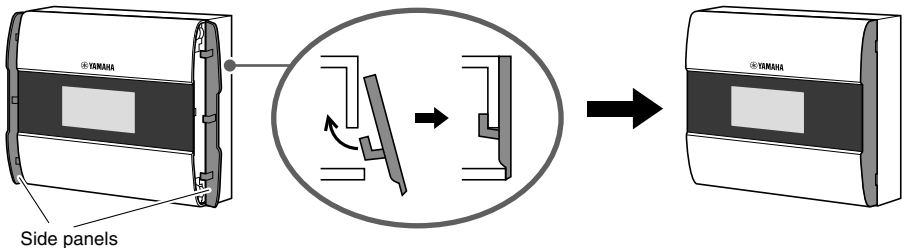
Do not attach the side panel yet. If there is a problem with connections, removing the side panel might damage the side panel or the wall.

6. Verify that the MCP1 starts.

If it starts, the PSE and the MCP1 are correctly connected.

7. Attach the side panels to the left and right sides of the MCP1.

Attach them so that they click into place.



Next, specify the UNIT ID.

Setting the UNIT ID

Set the MCP1's UNIT ID.

Operate the switches with bare hands. If you attempt to operate them while wearing gloves, they will not work correctly.

1. Long-touch (two seconds or longer) the home switch.

Move to the utility page.

2. Touch the [Settings] switch (R1).

Move to the settings page. After synchronizing with MTX-MRX Editor, it will be necessary to enter the PIN code.

NOTE

If you have forgotten the PIN code, use MTX-MRX Editor to specify it again.

3. Touch the [IP Setting] switch (L1).

Specify whether the IP address is determined by the UNIT ID or by MTX-MRX Editor (PC).

4. Make sure that "IP Setting" is set to [UNIT ID].

If it is set to [PC], touch the L1/2/3 switches at the left to set it to [UNIT ID].

If you are using a subnet other than 192.168.0.x, set this to [PC] and make the setting in MTX-MRX Editor.

5. Touch the return switch.

A confirmation screen appears; select Yes. The setting is confirmed as the UNIT ID, and the MCP1 automatically restarts.

6. Touch the [Unit ID] switch (L2).

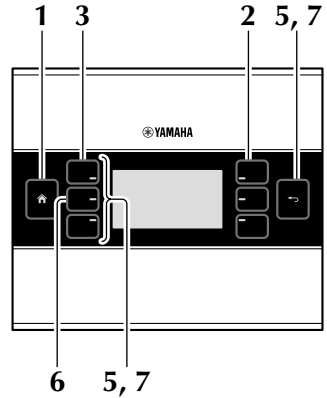
Set the MCP1's UNIT ID.

Set the ID so that it does not conflict with the UNIT ID of another unit within the same network.

Touching an L1/2/3 switch decreases the number; touching an R1/2/3 switch increases the number.

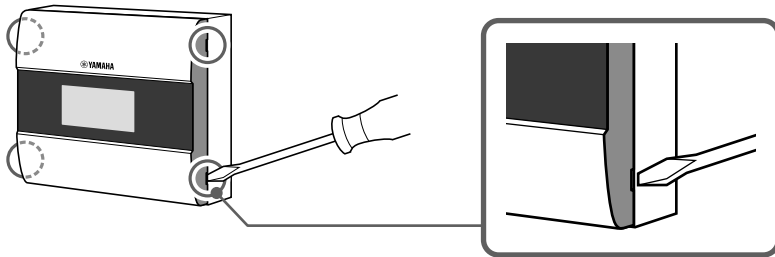
7. When you've set the UNIT ID, touch the return switch.

A confirmation screen appears; select Yes. The UNIT ID is confirmed, and the MCP1 automatically restarts.



Removal

If you need to remove the MCP1, insert a slotted screwdriver into the notches of the side panel, and twist. The subsequent steps are the reverse of the installation procedure.



NOTE

When re-installing the MCP1, portions of the screw holes in the mount plate may be deformed and may not properly fit into the MCP1. If this is the case, use a tool to adjust parts of the screw holes as necessary and re-install the unit.

Initializing the MCP1

With the unit powered on, perform the following procedure.

1. In the home page or another page, long-touch (two seconds or longer) the home page switch.

Move to the utility page.

2. Touch the [Settings] switch (R1).

After synchronizing with MTX-MRX Editor, it will be necessary to enter the PIN code.

NOTE

If you have forgotten the PIN code, use MTX-MRX Editor to specify it again.

3. Touch the [Initialize] switch (L3).

A confirmation screen appears; select Yes. Initialization begins, and the MCP1 automatically restarts.

Alert list

The following table lists the alerts generated by the MCP1, their meaning, and the appropriate action to take.

When a Fault type alert occurs, it will immediately be displayed. Other alert types can be checked by touching [Alert] in the Settings page. A single occurrence is shown when the situation occurs. A continuous occurrence is shown when the situation occurs and when it ends. If the problem cannot be solved, contact your Yamaha dealer.

Number	Content	Action	Type	Single / Continuing
Device abnormality				
001	The unit did not start up normally.	Turn off the power supply of the PSE, wait at least six seconds, and then turn on the power. If this does not solve the problem, initialize the MCP1.	Fault	Continuing
003	Failed writing to internal flash ROM.		Fault	Continuing
005	MAC address was lost.		Fault	Continuing
017	Settings saved in internal memory were lost.	Perform synchronization again using MTX-MRX Editor.	Fault	Continuing
040	The IP address conflicts.	Make settings so that the IP address does not conflict.	Error	Continuing
041	The IP address was not established within 60 seconds after startup.	If the IP Setting is set to "PC," use MTX-MRX Editor or the DHCP server to specify the IP address.	Warning	Continuing
042	The devices making up the MTX/MRX system were not found on the network.	Power-on all devices making up the system, and make sure that they are correctly connected to the network.	Error	Continuing
043	Too many devices are connected to the network.	Reduce the number of devices connected to the network.	Error	Single
051	A device with the same UNIT ID was found among the devices connected to the same network.	Make settings so that the UNIT ID does not conflict.	Error	Continuing
060	Failed to recall a preset.	Initialize the MCP1.	Error	Continuing
064	The preset could not be recalled.	The Preset selected for recall cannot be recalled as no data has been stored to it, or another device may have been added after presets were stored. Please synchronize and check all presets using MTX-MRX Editor, and store again.	Warning	Continuing

Alert list

Number	Content	Action	Type	Single / Continuing
070	Synchronization has not been completed. It may be that synchronization was halted before completion.	Perform synchronization again using MTX-MRX Editor. If this does not solve the problem, initialize the MCP1.	Error	Continuing
071	The UNIT ID settings when synchronization was performed do not match the current UNIT ID settings.	Do not change any UNIT ID's after performing synchronization. If you've changed any UNIT ID's, perform synchronization again.	Error	Continuing

For other alerts, refer to "Alert list" in the "MTX-MRX Editor User Guide."

Specifications

Product specifications	
Dimensions (W × H × D)	140(W) × 125(H) × 18(D) mm (when embedded in the wall) 152(W) × 128(H) × 46(D) mm (with a surface mount box)
Weight	0.6 kg (with a surface mount box) 0.5 kg (without a surface mount box)
Power supply voltage	Power supplied via PoE (IEEE802.3af)
Power consumption	4.8 W max.
Operating temperature range	0°C – 40°C
Storage temperature range	-20°C – 60°C
Maximum number of units usable simultaneously	Up to 16 MCP1 units can be installed per system (There are limits on the total number of units within a system that includes other devices)
Operating lifespan	10 years
Included items	Mounting plate, Surface mount box, Side panels (Two), screws (2 kinds / Each 4 pcs.), Installation Manual
Separately sold option	None

Connector specifications	
Format	NETWORK port: 10Base-T/100Base-TX
Cable specifications	NETWORK port: CAT5e or better Ethernet STP cable

European models

Purchaser/User Information specified in EN55103-2:2009.

Conforms to Environments: E1, E2, E3 and E4

The contents of this manual apply to the latest specifications as of the publishing date. To obtain the latest manual, access the Yamaha website then download the manual file.

The model number, serial number, power requirements, etc., may be found on or near the name plate, which is at the rear of the unit. You should note this serial number in the space provided below and retain this manual as a permanent record of your purchase to aid identification in the event of theft.

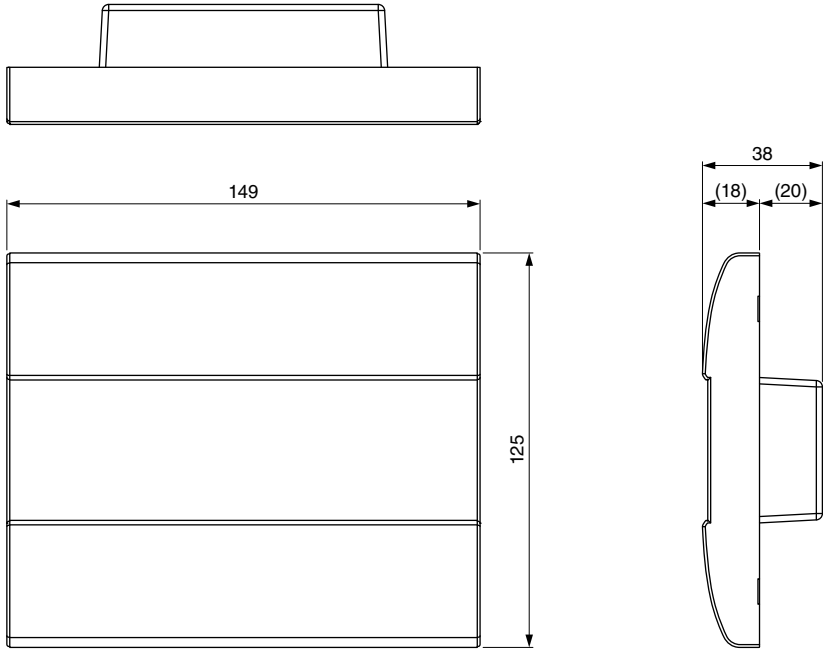
Model No.

Serial No.

(rear_en_01)

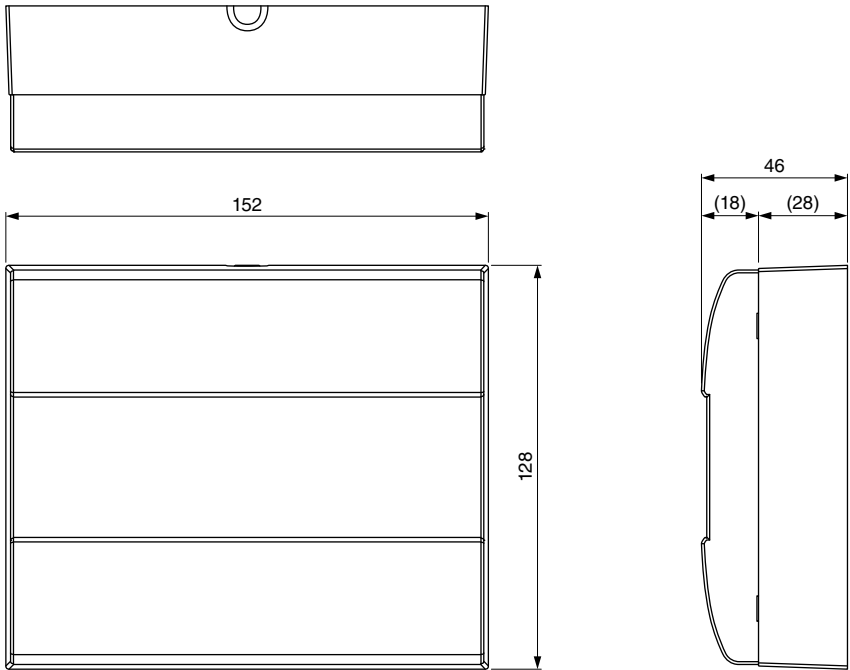
Dimensions

Without surface mount box

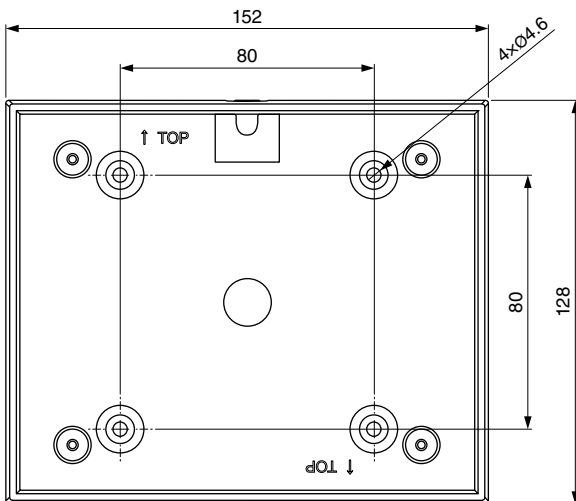


Unit: mm

With surface mount box

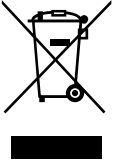


Surface mount box



Unit: mm

Information for users on collection and disposal of old equipment:



This symbol on the products, packaging, and/or accompanying documents means that used electrical and electronic products should not be mixed with general household waste.

For proper treatment, recovery and recycling of old products, please take them to applicable collection points, in accordance with your national legislation.

By disposing of these products correctly, you will help to save valuable resources and prevent any potential negative effects on human health and the environment which could otherwise arise from inappropriate waste handling.

For more information about collection and recycling of old products, please contact your local municipality, your waste disposal service or the point of sale where you purchased the items.

For business users in the European Union:

If you wish to discard electrical and electronic equipment, please contact your dealer or supplier for further information.

Information on Disposal in other Countries outside the European Union:

This symbol is only valid in the European Union. If you wish to discard these items, please contact your local authorities or dealer and ask for the correct method of disposal.

(weee_eu_en_02)

Important Notice: Guarantee Information for customers in European Economic Area (EEA) and Switzerland

<p>Important Notice: Guarantee Information for customers in EEA* and Switzerland</p> <p>For detailed guarantee information about this Yamaha product, and Pan-EEA* and Switzerland warranty service, please either visit the website address below (Printable file is available at our website) or contact the Yamaha representative office for your country. * EEA: European Economic Area</p>	English
<p>Wichtiger Hinweis: Garantie-Information für Kunden in der EWR* und der Schweiz</p> <p>Für nähere Garantie-Information über dieses Produkt von Yamaha, sowie über den Pan-EWR*- und Schweizer Garantieservice, besuchen Sie bitte entweder die folgend angegebene Internetadresse (eine druckfähige Version befindet sich auch auf unserer Webseite), oder wenden Sie sich an den für Ihr Land zuständigen Yamaha-Vertrieb. * EWR: Europäischer Wirtschaftsraum</p>	Deutsch
<p>Remarque importante: informations de garantie pour les clients de l'EEE* et la Suisse</p> <p>Pour des informations plus détaillées sur la garantie de ce produit Yamaha et sur le service de garantie applicable dans l'ensemble de l'EEE ainsi qu'en Suisse, consultez notre site Web à l'adresse ci-dessous (le fichier imprimable est disponible sur notre site Web) ou contactez directement Yamaha dans votre pays de résidence. * EEE : Espace Economique Européen</p>	Français
<p>Belangrijke mededeling: Garantie-informatie voor klanten in de EER* en Zwitserland</p> <p>Voor gedetailleerde garantie-informatie over dit Yamaha-product en de garantieservice in de landen van de EER* en Zwitserland, gaat u naar de onderstaande website (u vindt een afdrukbaar bestand op onze website) of neemt u contact op met de vertegenwoordiging van Yamaha in uw land. * EER: Europese Economische Ruimte</p>	Nederlands
<p>Aviso importante: información sobre la garantía para los clientes del EEE* y Suiza</p> <p>Para una información detallada sobre este producto Yamaha y sobre el soporte de garantía en la zona EEE* y Suiza, visite la dirección web que se incluye más abajo (la versión del archivo para imprimir está disponible en nuestro sitio web) o póngase en contacto con el representante de Yamaha en su país. * EEE: Espacio Económico Europeo</p>	Español
<p>Avviso importante: informazioni sulla garanzia per i clienti residenti nell'EEA* e in Svizzera</p> <p>Per informazioni dettagliate sulla garanzia relativa a questo prodotto Yamaha e l'assistenza in garanzia nei paesi EEA* e in Svizzera, potete consultare il sito Web all'indirizzo riportato di seguito (è disponibile il file in formato stampabile) oppure contattare l'ufficio di rappresentanza locale della Yamaha. * EEA: Area Economica Europea</p>	Italiano
<p>Aviso importante: informações sobre as garantias para clientes da AEE* e da Suíça</p> <p>Para obter uma informação pormenorizada sobre este produto da Yamaha e sobre o serviço de garantia na AEE* e na Suíça, visite o site a seguir (o arquivo para impressão está disponível no nosso site) ou entre em contato com o escritório de representação da Yamaha no seu país. * AEE: Área Económica Europeia</p>	Português
<p>Σημαντική σημείωση: Πληροφορίες εγγύησης για τους πελάτες στον ΕΟΧ* και Ελλάδα</p> <p>Για λεπτομερείς πληροφορίες εγγύησης σχετικά με το παρόν προϊόν της Yamaha και την κάλυψη εγγύησης σε όλες τις χώρες του ΕΟΧ και την Ελλάδα, επισκεφτείτε την παρακάτω ιστοσελίδα (Εκτυπώσιμη μορφή είναι διαθέσιμη στην ιστοσελίδα μας) ή απευθυνθείτε στην αντιπροσωπεία της Yamaha στη χώρα σας. * ΕΟΧ: Ευρωπαϊκός Οικονομικός Χώρος</p>	Ελληνικά
<p>Viktigt: Garantierinformation för kunder i EES-området* och Schweiz</p> <p>För detaljerad information om denna Yamaha-produkt samt garantierinformation i hela EES-området* och Schweiz kan du antingen besöka nedanstående webbadress (en utskriftsvänlig fil finns på webbplatsen) eller kontakta Yamahas officiella representant i ditt land. * EES: Europeiska Ekonomiska Samarbetsområdet</p>	Svenska
<p>Viktig merknad: Garantierinformasjon for kunder i EØS* og Sveits</p> <p>Detaljert garantierinformasjon om dette Yamaha-produktet og garantierinformasjon for hele EØS-området* og Sveits kan fås enten ved å besøke nettstedene nedenfor (utskriftsversjon finnes på våre nettsider) eller kontakte Yamahas kontorene i landet der du bor. * EØS: Det europeiske økonomiske samarbeidsområdet</p>	Norsk
<p>Vigtig oplysning: Garantiplysninger til kunder i EØO* og Schweiz</p> <p>De kan finde detaljerede garantiplysninger om dette Yamaha-produkt og den fælles garantierordning for EØO* (og Schweiz) ved at besøge det websted, der er angivet nedenfor (der findes en fil, som kan udskrives, på vores websted), eller ved at kontakte Yamahas nationale repræsentationskontor i det land, hvor De bor. * EØO: Det Europæiske Økonomiske Område</p>	Dansk
<p>Tärkeä ilmoitus: Taku tiedot Euroopan talousalueen (ETA)* ja Sveitsin asiakkaille</p> <p>Tämän Yamaha-tuotteen sekä ETA-alueen ja Sveitsin takuuta koskevat yksityiskohtaiset tiedot saatte alla olevasta nettiosoitteesta. (Tulostettava tiedosto saatavissa sivustollamme.) Voitte myös ottaa yhteyttä paikalliseen Yamaha-edustajaluon. *ETA: Euroopan talousalue</p>	Suomi
<p>Ważne: Warunki gwarancyjne obowiązujące w EOG* i Szwajcarii</p> <p>Aby dowiedzieć się więcej na temat warunków gwarancyjnych tego produktu firmy Yamaha i serwisu gwarancyjnego w całym EOG* i Szwajcarii, należy odwiedzić wskazaną poniżej stronę internetową (Plik gotowy do wydruku znajduje się na naszej stronie internetowej) lub skontaktować się z przedstawicielstwem firmy Yamaha w swoim kraju. * EOG — Europejski Obszar Gospodarczy</p>	Polski
<p>Dôležité oznámenie: Záruční informace pro zákazníky v EHS* a ve Švýcarsku</p> <p>Podrobné záruční informácie o tomto produkte Yamaha a záručnímservise v celom EHS* a ve Švajčiarsku nálezete na nižšie uvedené webové adrese (soubor k tisku je dostupný na našich webových stránkách) nebo se můžete obrátit na zastoupení firmy Yamaha ve své zemi. * EHS: Evropský hospodářský prostor</p>	Česky
<p>Fontos figyelmeztetés: Garancia-információk az EGT* területén és Svájcban élő vásárlók számára</p> <p>A jelen Yamaha termékre vonatkozó részletes garancia-információk, valamint az EGT*-re és Svájcra kiterjedő garanciális szolgáltatás tekintetében keresse fel webhelyünket az alábbi címen (a webhelyen nyomtatható fájl is talál), vagy pedig lépjen kapcsolatba az országában működő Yamaha képviselői irodával. * EGT: Európai Gazdasági Térség</p>	Magyar
<p>Ouline märkus: Garantiteave Euroopa Majanduspiirkonna (EMP)* ja Šveitsi klientidele</p> <p>Täpsema teabe saamiseks selle Yamaha toote garantii ning kogu Euroopa Majanduspiirkonna ja Šveitsi garantiteeninduse kohta, külastage palun veebisaiti alljärgneval aadressil (meie saidil on saadaval printitav fail) või pöörduge Teie regiooni Yamaha esinduse poole. * EMP: Euroopa Majanduspiirkond</p>	Eesti keel
<p>Svarígs paziņojums: garantijas informācija klientiem EEE* un Šveicē</p> <p>Lai saņemtu detalizētu garantijas informāciju par šo Yamaha produktu, kā arī garantijas apkalpošanu EEE* un Šveicē, lūdzam apmeklēt vietnā norādīto tīmekļa vietnes adresi (tīmekļa vietnē ir pieejams drukājams fails) vai sazinieties ar jūsu valsti apkalpojamo Yamaha pārstāvniecību. * EEE: Eiropas Ekonomikas zona</p>	Latviešu
<p>Dėmesio: informacija dėl garantijos pirkejams EEE* ir Šveicarijoje</p> <p>Jei reikia išsamioms informacijos apie šį „Yamaha“ produktą ir jo techninę priežiūrą visoje EEE* ir Šveicarijoje, apsilankykite mūsų svetainėje toliau nurodytu adresu (svetainėje yra spausdintinas failas) arba kreipkitės į „Yamaha“ atstovybę savo šalyje. * EEE – Europos ekonominė erdvė</p>	Lietuvių kalba
<p>Dôležité upozornenie: Informácie o záruke pre zákazníkov v EHP* a Švajčiarsku</p> <p>Podrobné informácie o záruke týkajúce sa tohto produktu od spoločnosti Yamaha a garančnom servise v EHP* a Švajčiarsku nájdete na webovej stránke uvedenej nižšie (na našej webovej stránke je k dispozícii súbor na tlač) alebo sa obráťte na zástupcu spoločnosti Yamaha vo svojej krajine. * EHP: Európsky hospodársky priestor</p>	Slovenčina
<p>Pomembno obvestilo: Informacije o garanciji za kupce v EGP* in Švici</p> <p>Za podrobnejše informacije o tem Yamahinem izdelku ter garancijskem servisu v celotnem EGP in Švici, obiščite spletno mesto, ki je navedeno spodaj (natisljiva datoteka je na voljo na našem spletnem mestu), ali se obrnite na Yamahinega predstavnika v svoji državi. * EGP: Evropski gospodarski prostor</p>	Slovenščina
<p>Важно съобщение: Информация за гаранцията за клиенти в ЕИП* и Швейцария</p> <p>За подробна информация за гаранцията за този продукт на Yamaha и гаранционното обслужване в паневропейската зона на ЕИП* и Швейцария или посетете посочения по-долу уеб сайт (на нашия уеб сайт има файл за печат), или се свържете с представителния офис на Yamaha във вашата страна. * ЕИП: Европейско икономическо пространство</p>	Български език
<p>Notificare importantă: Informații despre garanție pentru clienții din SEE* și Elveția</p> <p>Pentru informații detaliate privind acest produs Yamaha și serviciul de garanție Pan-SEE* și Elveția, vizitați site-ul la adresa de mai jos (fișierul imprimabil este disponibil pe site-ul nostru) sau contactați biroul reprezentanței Yamaha din țara dumneavoastră. * SEE: Spațiul Economic European</p>	Limba română

<http://europe.yamaha.com/warranty/>

URL_4

ADDRESS LIST

NORTH AMERICA

CANADA

Yamaha Canada Music Ltd.
135 Milner Avenue, Toronto, Ontario,
M1S 3R1, Canada
Tel: +1-416-298-1311

U.S.A.

Yamaha Corporation of America
6060 Orangefhorpe Avenue, Buena Park, CA
96020, U.S.A.
Tel: +1-714-522-9011

CENTRAL & SOUTH AMERICA

MEXICO

Yamaha de México, S.A. de C.V.
Av. Insurgentes Sur 1647 Piso 9, Col. San José
Insurgentes, Delegación Benito Juárez, México,
D.F., C.P. 03900, México
Tel: +52-55-5804-0600

BRAZIL

Yamaha Musical do Brasil Ltda.
Rua Fidêncio Ramos, 302 - Cj 52 e 54 - Torre B -
Vila Olímpia - CEP 04551-010 - São Paulo/SP,
Brazil
Tel: +55-11-3704-1377

ARGENTINA

**Yamaha Music Latin America, S.A.,
Sucursal Argentina**
Olga Cossetini 1553, Piso 4 Norte,
Madero Este-C1107CEK, Buenos Aires, Argentina
Tel: +54-11-4119-7000

PANAMA AND OTHER LATIN

AMERICAN COUNTRIES/ CARIBBEAN COUNTRIES

Yamaha Music Latin America, S.A.
Edif. Torre Banco General, Piso 7, Urbanización
Marbella, Calle 47 y Aquilino de la Guardia,
Ciudad de Panamá, República de Panamá
Tel: +507-269-5311

EUROPE

THE UNITED KINGDOM/IRELAND

Yamaha Music Europe GmbH (UK)
Sherbourne Drive, Tilbrook, Milton Keynes,
MK7 8BL, U.K.
Tel: +44-1908-366700

GERMANY

Yamaha Music Europe GmbH
Siemensstrasse 22-34, 25462 Rellingen, Germany
Tel: +49-4101-303-0

SWITZERLAND/LIECHTENSTEIN

**Yamaha Music Europe GmbH, Branch
Switzerland in Thalwil**
Seestrasse 18a, 8800 Thalwil, Switzerland
Tel: +41-44-3878080

AUSTRIA/BULGARIA/ CZECH REPUBLIC/HUNGARY/ ROMANIA/SLOVAKIA/SLOVENIA

**Yamaha Music Europe GmbH
Branch Austria**
Schleiergasse 20, 1100 Wien, Austria
Tel: +43-1-60203900

POLAND

Yamaha Music Europe GmbH
Sp.z o.o. Oddzial w Polsce
ul. Wielicka 52, 02-657 Warszawa, Poland
Tel: +48-22-880-08-88

MALTA

Olimpus Music Ltd.
Valletta Road, Mosta MST9010, Malta
Tel: +356-2133-2093

NETHERLANDS/BELGIUM/ LUXEMBOURG

Yamaha Music Europe Branch Benelux
Clairissenhof 5b, 4133 AB Vianen, The Netherlands
Tel: +31-347-358040

FRANCE

Yamaha Music Europe
7 rue Ambroise Croizat, Zone d'activités de Pariest,
77183 Croissy-Beaubourg, France
Tel: +33-1-6461-4000

ITALY

Yamaha Music Europe GmbH, Branch Italy
Via Tinelli N.67/69 20855 Gerno di Lesmo (MB), Italy
Tel: +39-039-9065-1

SPAIN/PORTUGAL

**Yamaha Music Europe GmbH Ibérica, Sucursals
en España**
Ctra. de la Corona km. 17,200, 28231
Las Rozas de Madrid, Spain
Tel: +34-91-639-88-88

GREECE

Philippos Nakas S.A. The Music House
19th klm. Leof. Lavriou 190 02 Peania - Attiki,
Greece
Tel: +30-210-6686168

SWEDEN/FINLAND/ICELAND

**Yamaha Music Europe GmbH Germany filial
Scandinavia**
JA Wettergrensgata 1, 400 43 Göteborg, Sweden
Tel: +46-31-89-34-00

DENMARK

**Yamaha Music Denmark,
Filial of Yamaha Music Europe GmbH,**
Tyskland
Generatørvej 8C, ST. TH., 2860 Søborg, Denmark
Tel: +45-44-92-49-00

NORWAY

**Yamaha Music Europe GmbH Germany -
Norwegian Branch**
Grini Næringspark 1, 1332 Østerås, Norway
Tel: +47-6716-7800

RUSSIA

Yamaha Music (Russia) LLC.
Room 37, entrance 7, bld. 7, Kievskaya street,
Moscow, 121059, Russia
Tel: +7-495-626-5005

OTHER EUROPEAN COUNTRIES

Yamaha Music Europe GmbH
Siemensstrasse 22-34, 25462 Rellingen, Germany
Tel: +49-4101-3030

AFRICA

Yamaha Music Gulf FZE
JAFZA-16, Office 512, P.O.Box 17328,
Jebel Ali FZE, Dubai, UAE
Tel: +971-4-801-1500

MIDDLE EAST

TURKEY

**Yamaha Music Europe GmbH
Merkezi Almanya Türkiye İstanbul Şubesi**
Maslak Meydan Sodak, Spring Giz Plaza Bagimsiz
Böl. No:3, Sariyer Istanbul, Turkey
Tel: +90-212-999-8010

CYPRUS

Yamaha Music Europe GmbH
Siemensstrasse 22-34, 25462 Rellingen, Germany
Tel: +49-4101-303-0

OTHER COUNTRIES

Yamaha Music Gulf FZE
JAFZA-16, Office 512, P.O.Box 17328,
Jebel Ali FZE, Dubai, UAE
Tel: +971-4-801-1500

ASIA

THE PEOPLE'S REPUBLIC OF CHINA

Yamaha Music & Electronics (China) Co.,Ltd.
2F, Yunhedasha, 1818 Xinzha-lu, Jingan-qu,
Shanghai, China
Tel: +86-400-051-7700

INDIA

Yamaha Music India Private Limited
P-401, JMD Megapolis, Sector-48, Sohna Road,
Gurgaon-122018, Haryana, India
Tel: +91-124-485-3300

INDONESIA

PT. Yamaha Musik Indonesia (Distributor)
Yamaha Music Center Bldg. Jalan Jend. Gatot
Subroto Kav. 4, Jakarta 12930, Indonesia
Tel: +62-21-520-2577

KOREA

Yamaha Music Korea Ltd.
8F, Dongsung Bldg. 21, Teheran-ro 87-gil,
Gangnam-gu, Seoul, 06169, Korea
Tel: +82-2-3467-3300

MALAYSIA

Yamaha Music (Malaysia) Sdn. Bhd.
No.8, Jalan Perbandaran, Kelana Jaya, 47301
Petaling Jaya, Selangor, Malaysia
Tel: +60-3-78030900

SINGAPORE

Yamaha Music (Asia) Private Limited
Block 202 Hougang Street 21, #02-00,
Singapore 530202, Singapore
Tel: +65-6740-9200

TAIWAN

Yamaha Music & Electronics Taiwan Co.,Ltd.
2F., No.1, Yuandong Rd., Banqiao Dist.,
New Taipei City 22063, Taiwan (R.O.C.)
Tel: +886-2-7741-8888

THAILAND

Siam Music Yamaha Co., Ltd.
3, 4, 15, 16th Fl., Siam Motors Building,
891/1 Rama 1 Road, Wangmai,
Pathumwan, Bangkok 10330, Thailand
Tel: +66-2215-2622

VIETNAM

Yamaha Music Vietnam Company Limited
15th Floor, Nam A Bank Tower, 201-203 Cach
Mang Thang Tam St., Ward 4, Dist.3,
Ho Chi Minh City, Vietnam
Tel: +84-8-3818-1122

OTHER ASIAN COUNTRIES

**Yamaha Corporation
Sales & Marketing Division**
10-1, Nakazawa-cho, Naka-ku, Hamamatsu,
Japan 430-8650
Tel: +81-53-460-2312

OCEANIA

AUSTRALIA

Yamaha Music Australia Pty. Ltd.
Level 1, 99 Queensbridge Street, Southbank,
VIC 3006, Australia
Tel: +61-3-9693-5111

COUNTRIES AND TRUST TERRITORIES IN PACIFIC OCEAN

**Yamaha Corporation
Sales & Marketing Division**
10-1, Nakazawa-cho, Naka-ku, Hamamatsu,
Japan 430-8650
Tel: +81-53-460-2312

Yamaha Pro Audio global website
<http://www.yamahaproaudio.com/>

Yamaha Downloads
<http://download.yamaha.com/>

Manual Development Group
© 2017 Yamaha Corporation

Published 04/2017 POHD-A0
Printed in China

ZW65400