

MLC Plus 50

MEDIALINK PLUS CONTROLLER

- ▶ Manage, monitor, and control AV devices using a standard Ethernet network
- ▶ Fully configurable using Global Configurator Plus or Global Configurator Professional
- ▶ One bidirectional RS-232 port
- ▶ Two relays for controlling room functions
- ▶ One IR port for connecting up to two emitters
- ▶ One digital input
- ▶ Supports Power over Ethernet
- ▶ Supports Ethernet-controllable devices:
 - Up to 4 devices with GC Plus
 - Up to 8 devices with GC Pro
- ▶ Pluggable captive screw connectors
- ▶ Configurable and customizable buttons
- ▶ Section 508 Compliant



The MLC Plus 50 is an easy-to-use pushbutton controller used for common AV room functions such as display on/off, input switching, volume, and Ethernet control of AV devices. This fully-configurable controller features a sleek look, six backlit buttons, and a multi-function volume knob. It is ideal for a broad variety of AV environments, including classrooms and conference rooms.



Extron Electronics
INTERFACING, SWITCHING AND CONTROL

DESCRIPTION

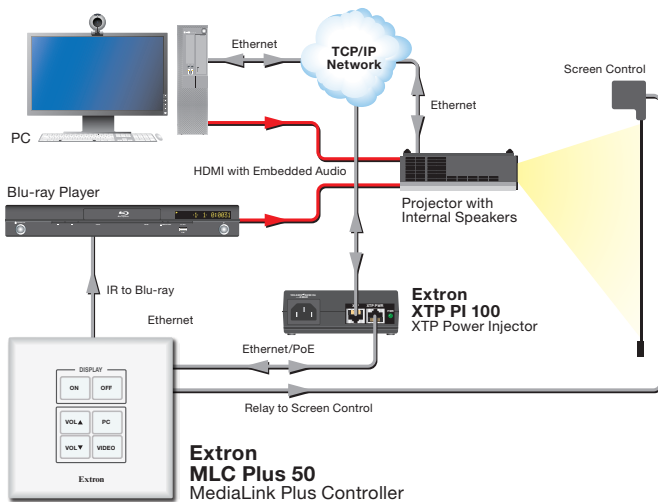
The **MLC Plus 50** is a sleek Ethernet controller designed for handling common AV functions such as display on/off, input switching, volume control, and Ethernet control of AV devices. As with all controllers in the MediaLink Plus Series, it has more features and enhanced security. The faceplate hides the mounting screws and, combined with its rounded corners and beveled edges, gives the controller a refined, sleek appearance. PoE allows the MLC Plus 50 to receive power and communications over a single Ethernet cable. It mounts in a two-gang junction box, and includes black and white faceplates.

The MLC Plus 50 is configured using Extron Global Configurator Plus or Global Configurator Professional software. It also integrates seamlessly with Extron's award-winning GlobalViewer® Enterprise software for complete AV resource monitoring, management, and control over a computer network. The Extron control App and Extron Control for Web is supported by this controller if a secondary point of control is required.

KEY FEATURES

- ▶ Manage, monitor, and control AV devices using a standard Ethernet network
- ▶ Fully customizable using Global Configurator Plus or Global Configurator Professional
- ▶ One bidirectional RS-232 port

APPLICATION DIAGRAM



SPECIFICATIONS

| MEMORY | | |
|------------------------------|---|-------------|
| Flash | 512 MB | |
| SOFTWARE AND CONTROL OPTIONS | | |
| Software | Extron Global Configurator Plus and Professional for Windows® | |
| Control options | GlobalViewer®, Extron Control for Web, Extron Control for iPad® | |
| ETHERNET CONTROL | | |
| Connector | 1 female RJ-45 connector | |
| Data rate | 10/100/1000Base-T, half/full duplex with autodetect | |
| SERIAL CONTROL | | |
| Quantity/type | 1 bidirectional RS-232 | |
| DIGITAL INPUT CONTROL | | |
| Quantity/type | 1 digital input | |
| IR CONTROL | | |
| Quantity/type | 1 TTL level (0 to 5 V) infrared (carrier and non-carrier) up to 300 kHz | |
| RELAY CONTROL | | |
| Quantity/type | 2 normally open relays | |
| GENERAL | | |
| Power supply | Not included | |
| Power input requirements | 12 VDC, 1 A, 12 watts, max. Or power over Ethernet (PoE) (complies with PoE 802.3af, class 3) | |
| Enclosure dimensions | | |
| Faceplate | 4.5" H x 4.6" W x 0.3" D (11.4 cm H x 11.7 cm W x 0.8 cm D) | |
| Device | 2.7" H x 3.5" W x 2.2" D (6.9 cm H x 8.9 cm W x 5.5 cm D) (Depth excludes faceplate and buttons. Fits most 2 gang US boxes or mud rings. Allow at least 2.4" [6.1 cm] depth in the wall or furniture.) | |
| Product weight | 0.8 lb (0.4 kg) | |
| Regulatory compliance | | |
| Safety | CE, c-UL, UL | |
| EMI/EMC | CE, C-tick, FCC Class A, ICES, VCCI | |
| Environmental | Complies with the appropriate requirements of RoHS, WEEE | |
| Accessibility | Complies with the appropriate requirements of Section 508 of the Rehabilitation Act (29 U.S.C. 794d). | |
| Warranty | | |
| | 3 years parts and labor | |
| Model | Version Description | Part number |
| MLC Plus 50 | White and Black Faceplates, 2-Gang | 60-1468-03 |
| Optional Accessories | | |
| Model | Version Description | Part number |
| XTP PI 100 | Single Port Power Injector | 60-1233-01 |
| PS 1210 C | 12V, 1A, Captive Screw Connector | 70-775-01 |

For complete specifications, please go to www.extron.com
Specifications are subject to change without notice.

WORLDWIDE SALES OFFICES

Anaheim • Raleigh • Silicon Valley • Dallas • New York • Washington, DC • Toronto • Mexico City • Paris • London • Frankfurt
Stockholm • Amersfoort • Moscow • Dubai • Johannesburg • Tel Aviv • Sydney • Melbourne • New Delhi • Bangalore
Singapore • Seoul • Shanghai • Beijing • Hong Kong • Tokyo

www.extron.com