



# Specifications • NAV 10E 201 D (Continued)

## Audio

Sampling rates.....	32, 44.1, 48 kHz
Bit depths .....	16, 20, 24 bit

## Audio input

Number/signal type.....	1 digital stereo, de-embedded from HDMI
Connectors.....	1 female HDMI type A (shared with video input)
Supported formats.....	LPCM (2 channel)

## Audio output stream

Number/signal type.....	1 audio over IP LPCM 1 audio over IP AES67*
Connector.....	1 SFP+ connector (SM or MM)

**NOTE:** \*AES67 specifications are compatible with the Extron DSPs.

## Network interconnection (NAV)

Number/signal type.....	2 fiber optic
Connectors.....	(1) 10G SFP+ connector, 2 LC connectors
Termination .....	MDI (SFP+)
Ethernet standards .....	10 Gb Ethernet (802.3ae), 10GBase-LR (SFP+) SM, and 10GBase-SR (SFP+) MM
Protocols	
Streaming.....	SRTP (AES-128) on video and audio
Transport.....	Multicast UDP
All supported .....	DHCP, HTTPS, IGMPv2/v3, IPv4, PTPv2, QoS, SSH, TCP, UDP
Security .....	AES-256, 802.1X, Active Directory authentication
Signal transmission distance	
Singlemode .....	10 km (6.25 miles) with singlemode (SM) cables with 10GBASE-LR (SFP+)
Multimode .....	400 m (1312') with 50/125 µm OM4 cables with 10GBase-SR (SFP+)

**NOTE:** Operating distance is approximate. These are typical maximum distances that may vary depending on factors such as fiber type, fiber bandwidth, connector splicing, losses, modal or chromatic dispersion, environmental factors, and kinks.

Nominal peak wavelength .....	850 nm for multimode, 1310 nm for singlemode
Transmission power	
Singlemode .....	-5.2 dBm, minimum
Multimode .....	-3.3 dBm, minimum
Maximum receiver sensitivity	
Singlemode .....	-12.6 dBm, maximum
Multimode .....	-13.0 dBm, maximum
Optical loss budget	
Singlemode .....	7.4 dB, maximum
Multimode .....	9.7 dB, maximum

# Specifications • NAV 10E 201 D (Continued)

## Communications - external devices

### Serial

Quantity/type.....	1 bidirectional RS-232
Connector .....	(1) 3.5 mm captive screw connector, 5 pole (shared with IR port)
Baud rate and protocol.....	300 to 115200 baud (9600 baud = default) 8 (default) or 7 data bits 1 (default) or 2 stop bits no parity (default), even or odd parity
Pin configuration.....	Tx, Rx, and Gnd

### IR control

Quantity/type.....	1 TTL level (0 to 5 V) infrared (carrier and non-carrier) up to 300 kHz
Connector .....	(1) 3.5 mm captive screw connector, 5-pole (shared with RS-232)
Pin configuration.....	S = signal and G = Gnd
IR output carrier frequency .....	30 kHz to 300 kHz

### USB configuration port

Quantity/type.....	1 front panel USB mini-B
Standard .....	Ethernet over USB

## General

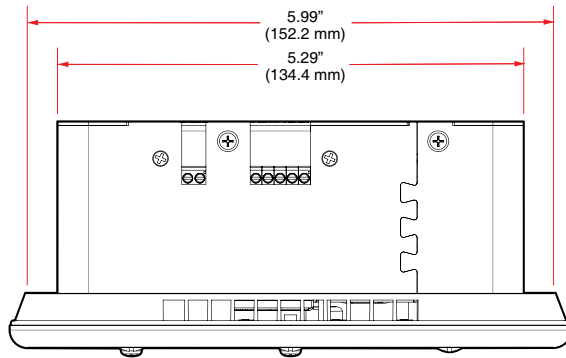
Power supply .....	External Input: 100-240 VAC, 50-60 Hz Output: 12 VDC, 2.0 A, 24 watts
Power consumption	
Device .....	TBD watts nominal, TBD watts max.
Device and power supply .....	TBD watts nominal, TBD watts max.
PoE .....	TBD watts
Temperature/humidity .....	Storage: -40 to +158 °F (-40 to +70 °C) / 10% to 90%, noncondensing Operating: +32 to +104 °F (0 to +40 °C) / 10% to 85%, noncondensing
Cooling .....	Fan, air flows from bottom to top
Thermal dissipation	
Device .....	TBD BTU/hr
Device and power supply .....	TBD BTU/hr
Mounting	
Rack mount.....	No
Furniture or wall mount .....	Yes, in a standard US 3-gang electrical junction box or mud ring.
Enclosure type .....	Metal

# Specifications • NAV 10E 201 D (Continued)

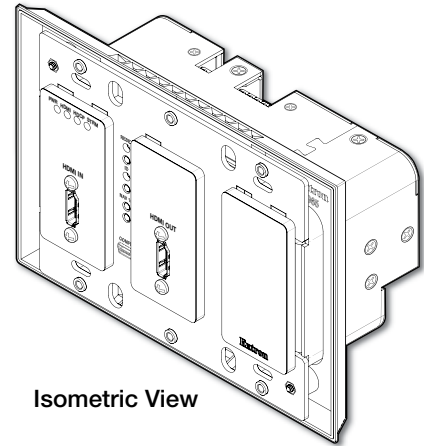
Enclosure

Faceplate .....	4.5" H x 6.4" W x 0.72" D (11.4 cm H x 16.3 cm W x 1.82 cm D)
Device .....	2.72" H x 5.29" W x 1.81" D* (6.9 cm H x 13.4 cm W x 4.6 cm D*)

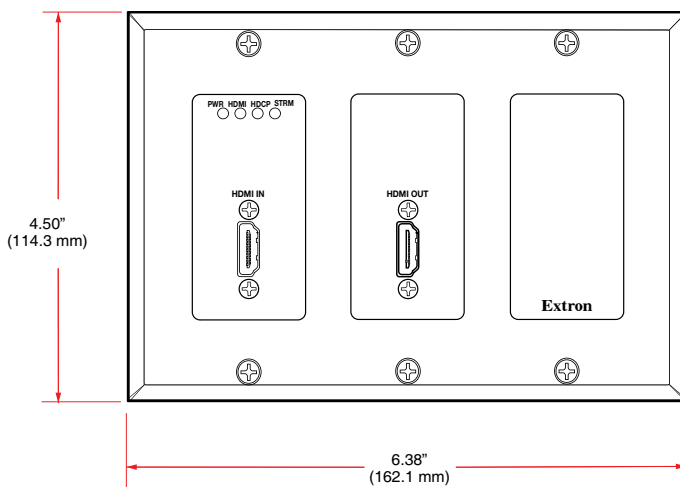
**NOTE:** \*Depth excludes connectors. Fits the openings in a 3-gang decorator-style wallplate.



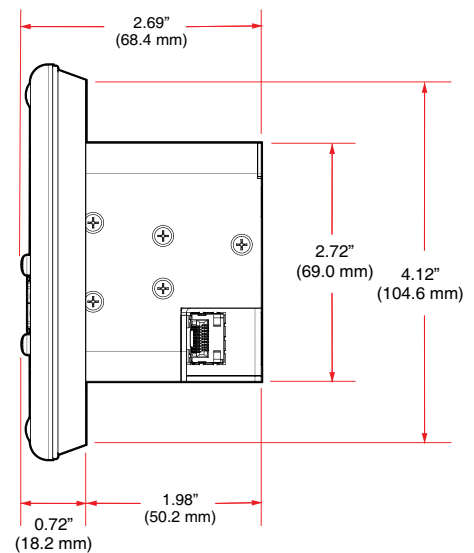
Top View



Isometric View



Front View



Side View

Product weight .....	TBD lbs (TBD kg)
Regulatory compliance.....	CE, c-UL UL,C-tick, FCC Class A, ICES, VCCI, Complies with the appropriate requirements of RoHS, WEEE
Product warranty .....	3 years parts and labor
Everlast power supply warranty.....	7 years parts and labor

**NOTE:** All nominal levels are at ±10%.

**NOTE:** Specifications are subject to change without notice.

**NOTE:** Shipping weights and dimensions are available at [www.extron.com](http://www.extron.com).