

Specifications

NBP 1200C

Memory

SDRAM.....	512 MB
Flash.....	512 MB

Software

Configuration software	Global Configurator® Plus and Professional
Programming software.....	Global Scripter®
Control apps.....	Extron Control
Resource management software....	GlobalViewer® Enterprise
Utilities	Toolbelt, embedded web page

Ethernet

Network interface controllers (NICs)	1
Connector.....	1 female RJ-45 connector
Data rate.....	10/100Base-T, half/full duplex with autodetect
Protocols	DHCP, DNS, HTTP, HTTPS, ICMP, NTP, SFTP, SMTP, SNMP, SSH, TCP/IP, UDP/IP
Default settings	Link speed and duplex level = autodetected IP address = 192.168.254.253 Subnet mask = 255.255.255.0 Gateway = 0.0.0.0 DHCP = off DNS = 127.0.0.1

General

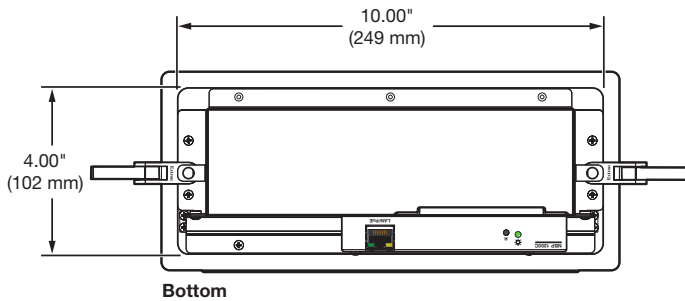
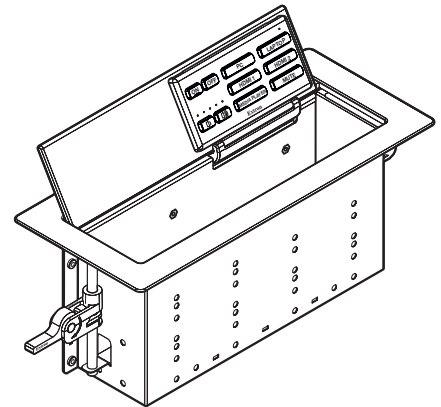
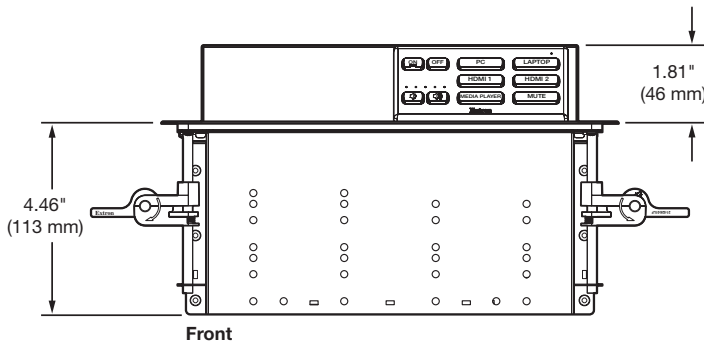
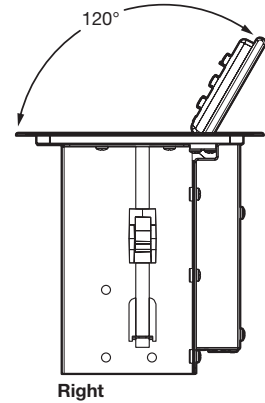
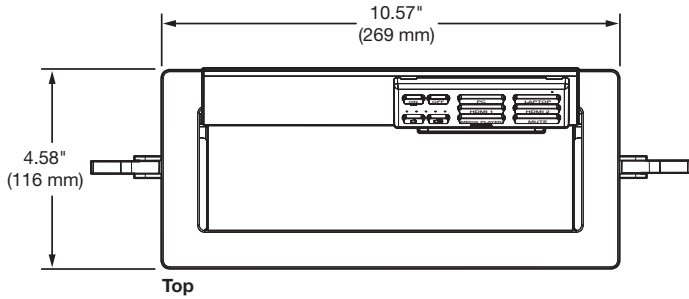
Power supply	Not included
Power input requirements	Power over Ethernet (PoE) (complies with PoE 802.3af, class 3)
Power consumption	
Device	TBD watts
Device and PoE injector.....	TBD watts
Temperature/humidity	Storage: -40 to +158 °F (-40 to +70 °C) / 10% to 90%, noncondensing Operating: +32 to +122 °F (0 to +50 °C) / 10% to 90%, noncondensing
Cooling	Convection, no vents
Thermal dissipation	
Device	TBD BTU/hr
Device and PoE injector.....	TBD BTU/hr
Mounting	
Rack mount.....	No
Furniture mount	Yes
Min./max. table thickness	0.50" to 2.50" (13 mm to 65 mm)
Enclosure type	Metal

Specifications • NBP 1200C (Continued)

Enclosure dimensions

- Top plate (outer rim)..... 10.57" W x 4.58" D
(269 mm W x 116 mm D)
- Surface cutout (inside rim) 10.00" W x 4.00" D
(254 mm W x 102 mm D)
- Enclosure depth 4.46" H (113 mm H)

NBP 1200C



- Product weight TBD lbs (TBD kg)
- Regulatory compliance..... CE, C-Tick, c-UL, FCC Class A, ICES, UL
Complies with the appropriate requirements of RoHS, WEEE, and Section 508 of the Rehabilitation Act (29 U.S.C. 794d).
- Product warranty 3 years parts and labor

NOTE: All nominal levels are at $\pm 10\%$.

NOTE: Specifications are subject to change without notice.

NOTE: Shipping weights and dimensions are available at www.extron.com.

4538-D1-073019