

PowerCage 411

MODULAR POWER ENCLOSURE FOR FOX3 OPTIC EXTENDERS



FOX3
SYSTEMS

The Extron **PowerCage 411** is a compact 1U rack-mountable, 4-slot enclosure that supports Extron FOX3 series fiber optic extenders. Engineered with uncompromising quality and proven performance to provide an efficient way to power, manage, and mount multiple extenders, the PowerCage 411 simplifies integration for large, rack-mounted systems as well as user workstations with multiple computers.

- ▶ Space-saving design with a compact, 1U rack-mountable enclosure
- ▶ Accommodates up to four modules
- ▶ Modular, field-upgradeable, and hot-swappable design
- ▶ Ethernet monitoring and control
- ▶ Dual-redundant and hot-swappable power supplies
- ▶ RS-232 insertion from the Ethernet port
- ▶ Dual AC power connectors
- ▶ Front panel LCD display and controls for easy setup and troubleshooting

Extron

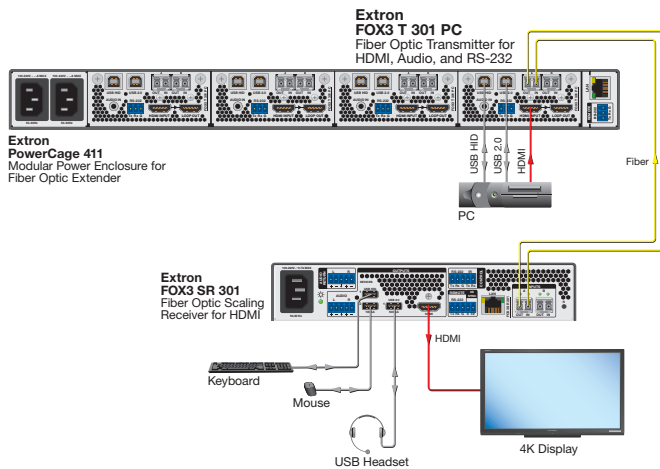
DESCRIPTION

The **PowerCage 411** features a redundant, hot-swappable power supply plus active thermal management to optimize reliability in mission-critical environments where continuous, 24/7 operation is essential. The hot-swappable, modular design allows for replacing or upgrading boards in the field at any time, without having to power down the system. The compact 1U enclosure includes front panel controls for set-up and configuration without a computer.

KEY FEATURES

- ▶ Exceptional thermal management
- ▶ Front panel security lockout
- ▶ RS-232 control port
- ▶ SNMP support for remote monitoring
- ▶ Secure Ethernet communication using SSH - Secure Shell protocol
- ▶ Front panel USB configuration port
- ▶ Easy setup and commissioning with Extron's PCS - Product Configuration Software
- ▶ Variable speed fans
- ▶ Internal Extron Everlast™ power supply
- ▶ Extron Everlast Power Supply is covered by a 7-year parts and labor warranty

APPLICATION DIAGRAM



SPECIFICATIONS

| COMMUNICATIONS — ENCLOSURE HOST PORTS | | |
|--|---|--------------------|
| Serial control port | 1 bidirectional RS-232, 3.5 mm captive screw connector, 3 pole (rear panel) | |
| Baud rate and protocol | 9600 baud, 8 data bits, 1 stop bit, no parity | |
| Pass-through baud rate | 9600 to 115,200 baud | |
| Pass-through protocol | Data bits = 5 - 8 Stop bits = 1 or 2 Parity = odd, even, none Flow control = XON/XOFF, none Defaults: 8 data bits, 1 stop bit, no parity, flow control = none | |
| Serial control pin configuration | 1 = Tx, 2 = Rx, 3 = Gnd | |
| USB configuration port | 1 front panel mini USB B, female | |
| Number/type | Ethernet over USB | |
| USB standards | | |
| Ethernet control port | 1 female RJ-45 | |
| Number/type | 10/100/1000Base-T, half/full duplex with autodetect | |
| Ethernet data rate | ARP, ICMP (ping), DHCP, DNS, HTTPS, SFTP, SSH, TCP/IP, UDP/IP | |
| Protocols | Default settings Link speed and duplex level = autodetected IP address = 192.168.254.254 Subnet mask = 255.255.255.0 Default gateway = 0.0.0.0 DHCP = off | |
| Default settings | Web server Up to 200 simultaneous sessions 7.0 MB nonvolatile memory | |
| Web server | Program control Extron Product Configuration Software Extron Simple Instruction Set (SIS™) | |
| Program control | | |
| GENERAL | | |
| Power supply | Internal, 2 (positive-negative), primary and redundant, hot-swappable | |
| Temperature/humidity | Storage: -40 to +158°F (-40 to +70°C) / 10% to 90%, noncondensing Operating: +32 to +122°F (0 to +50°C) / 10% to 90%, noncondensing | |
| Cooling | Fans, front to back | |
| Mounting | | |
| Rack mount | Yes | |
| Enclosure type | Metal | |
| Enclosure dimensions | 1.72" H x 19.00" W x 14.00" D (1U high, full rack wide) (4.4 cm H x 48.3 cm W x 35.6 cm D) (Depth excludes connectors on the optional boards.) | |
| Regulatory compliance | CE, C-tick, c-UL, UL, FCC Class A, ICES, VCCI Complies with the appropriate requirements of RoHS, WEEE. Additionally, for FOX3 boards: FDA Class 1 | |
| Product warranty | 3 years parts and labor | |
| Everlast power supply warranty | 7 years parts and labor | |
| NOTE: All nominal levels are at ±10%. | | |
| Model | Version Description | Part number |
| PowerCage 411 | Modular Power Enclosure for Fiber Optic Extenders | 60-1492-02 |

For complete specifications, please go to www.extron.com
Specifications are subject to change without notice.

WORLDWIDE SALES OFFICES

Anaheim • Raleigh • Silicon Valley • Dallas • New York • Washington, DC • Toronto • Mexico City
Paris • London • Frankfurt • Stockholm • Amersfoort • Moscow • Dubai • Tel Aviv • Sydney • Melbourne
Bangalore • Mumbai • New Delhi • Singapore • Seoul • Shanghai • Beijing • Hong Kong • Tokyo

www.extron.com