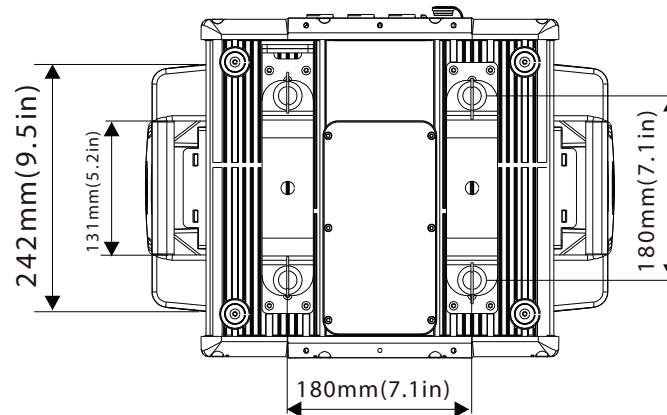
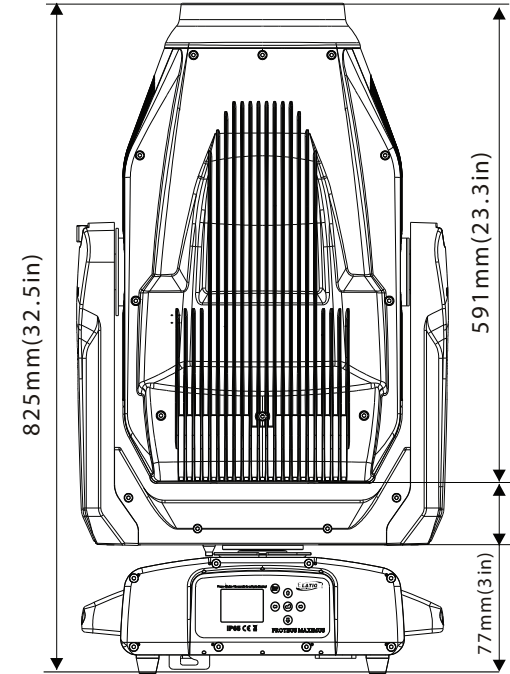
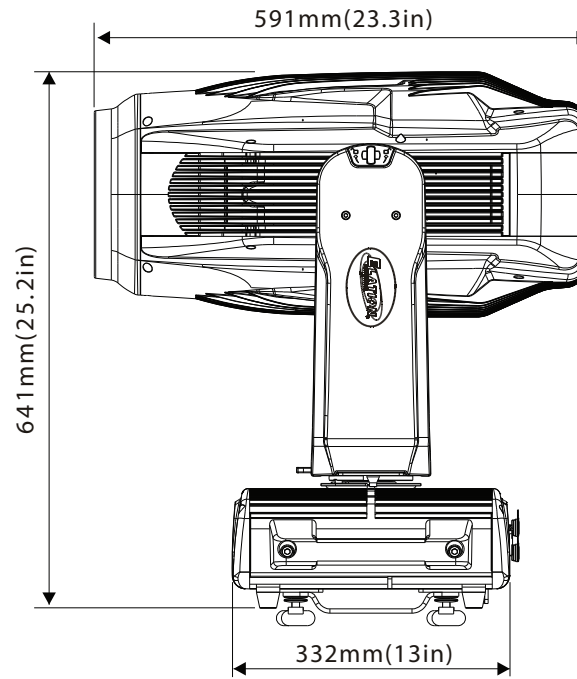
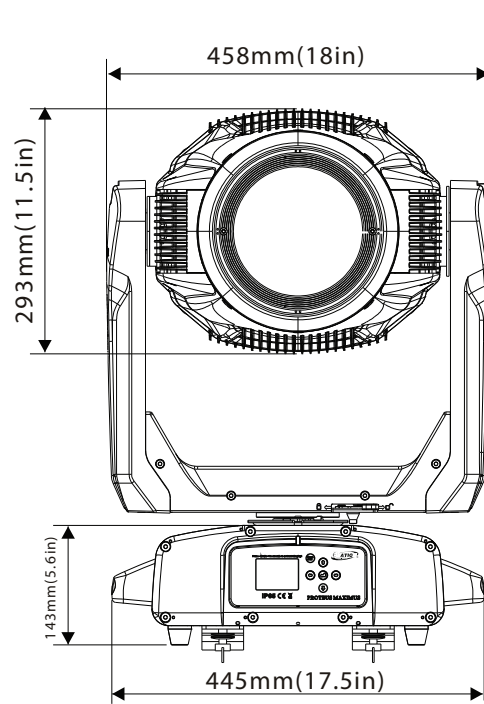


PROTEUS MAXIMUS™

2D CAD Dimensional Drawings



*DRAWINGS NOT TO SCALE