

Specifications

RCP 101 Series

Communication

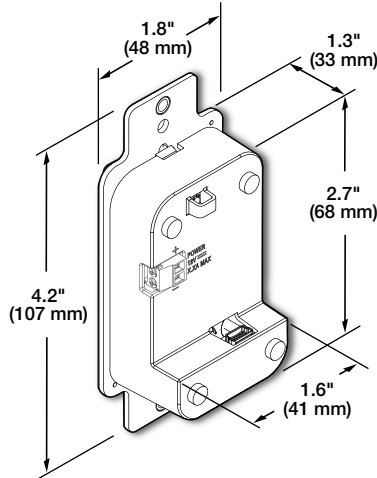
USB storage port	1 front panel female USB Type A (max. current 1.5A)
USB control port	1 rear panel female mini USB B, connects to the control port on the SMP device.
USB standards	USB 2.0, high speed host (480Mbps)

General

Power supply	External Input: 100-240 VAC, 50-60 Hz Output: 12 V, 1.5 A, 18 W
Power consumption	
RCP 101 D	3.1 W
RCP 101 EU/MK	3.2 W
Temperature/humidity	Storage: -40 to +158 °F (-40 to +70 °C) / 10% to 90%, noncondensing Operating: +32 to +122 °F (0 to +50 °C) / 10% to 90%, noncondensing
Cooling	Convection, no vents
Thermal dissipation	
RCP 101 D	1.8 BTU/hr
RCP 101 EU/MK	2.4 BTU/hr
Mounting	
Furniture or wall mount	
RCP 101 D	Mounts to standard 1-gang US enclosures or to surfaces with included mud ring.
RCP 101 EU	Mounts to standard 1-gang enclosures with 60 mm mounting centers. Device module fits Flex55 mounting frames that accept 55 mm x 55 mm modules.
RCP 101 MK	Mounts in a standard MK electric type British standard wall box or junction box.
Enclosure type	High impact plastic blend, metal mounting bracket

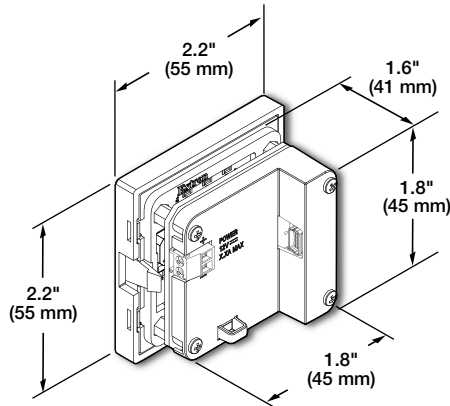
Enclosure dimensions

RCP 101 D.....	Fits the opening in a standard 1-gang US wallplate
Wallplate.....	4.50" H x 2.79" W x 0.38" D (114 mm H x 71 mm W x 9.7 mm D)
Device	2.7" H x 1.6" W x 1.3" D (69 mm H x 41 mm W x 33 mm D) (Depth includes connectors and buttons. Allow enough depth in the wall or furniture for the device plus cable clearance.)



RCP 101 D

RCP 101 EU.....	Fits the opening in a 1-gang EU, Jung AS 500 wallplate, Extron Flex55 mounting system, or other European frame that accepts 55 mm x 55 mm modules
Wallplate.....	3.17" H x 3.17" W x 0.51" D (81 mm H x 81 mm W x 13 mm D)
Device	1.8" H x 1.8" W x 1.6" D (45 mm H x 45 mm W x 40 mm D) (Depth includes connectors and buttons. Allow enough depth in the wall or furniture for the device plus cable clearance.)
RCP 101 MK.....	Mounts in a standard MK Wall Frame for United Kingdom Junction Boxes
Wallplate.....	3.39" H x 3.39" W x 0.40" D (1-gang) 86 mm H x 86 mm W x 10 mm D
Device	1.8" H x 1.8" W x 1.6" D (45 mm H x 45 mm W x 41 mm D) Fits mounting frames that accept 55 mm x 55 mm modules. (Allow at least 1.9" [47 mm] in the junction box for device plus cable clearance.)



RCP 101 EU/MK

Product weight	
RCP 101 D.....	1.0 lb (0.5 kg)
RCP 101 EU.....	1.0 lb (0.5 kg)
RCP 101 MK.....	1.0 lb (0.5 kg)
Regulatory compliance.....	CE, C-Tick, c-UL, FCC Class A, ICES, RoHS, UL, WEEE
Accessibility	Complies with the appropriate requirements of Section 508 of the Rehabilitation Act (29 U.S.C. 794d).
Warranty	3 years parts and labor

NOTE: All nominal levels are at $\pm 10\%$.

NOTE: Specifications are subject to change without notice.

NOTE: Shipping weights and dimensions are available at www.extron.com.

4345-D3-040717