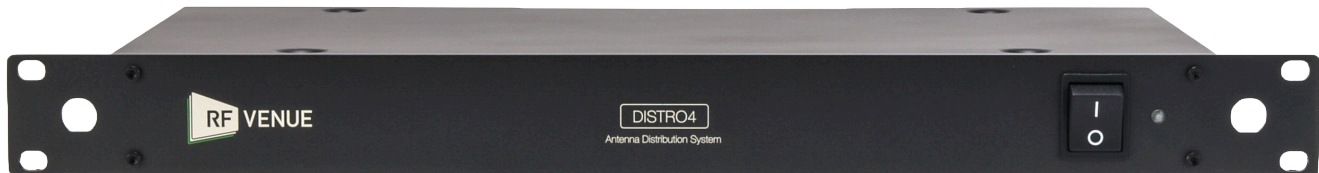


# Specifications



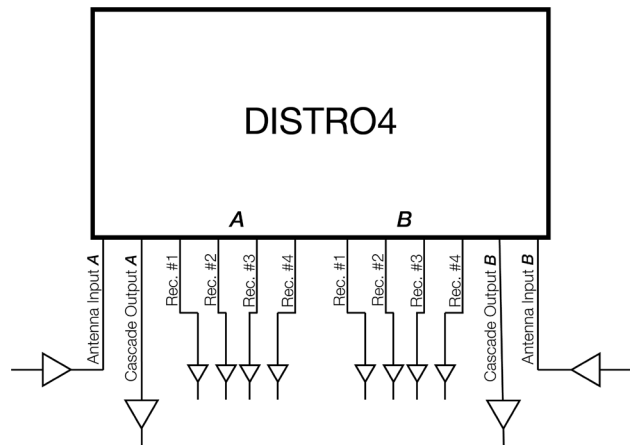
## DISTRO4™

Antenna Distribution System



DISTRO4 is a broadband UHF antenna distribution amplifier that routes antenna signals from a pair of diversity antennas to several receivers in a multi-channel system. DISTRO4 compensates for signal strength lost in the splitting process with high quality amplifiers. Two or more units may be cascaded together to accommodate more than four receivers with the included cascade port.

DISTRO4 features a 2000 mA internal power supply (no wall wart) and compares to antenna distributors twice its price. For active antennas and in-line amplifiers, DISTRO4 provides an internal switch to apply DC power over coaxial cable to antenna connections. It includes all RF and DC power cables needed to connect a 4 channel wireless microphone system as well as cascade to one additional DISTRO4.



### Supplied Accessories

BNC jumpers .....	10X
DC cables .....	4X
AC cables .....	1X

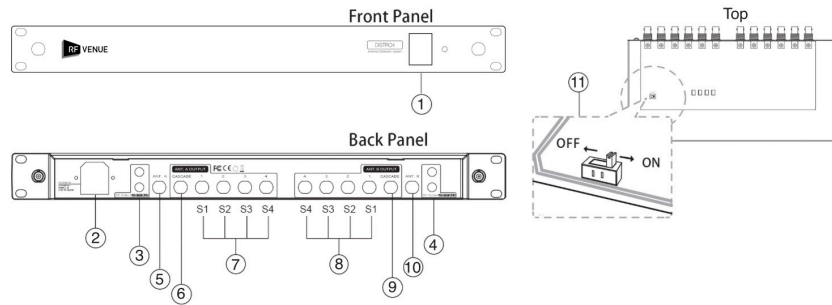
### WARNING

- Do not expose this appliance to heat or moisture.
- To avoid shock, do not remove cover. Refer all service to qualified service personnel or distributors.

### Specifications

Frequency range .....	470-952 MHz
RF output level (gain) .....	3 dB (±2 dB)
Cascade output level.....	0 dB ~ +2 dB
Output connection isolation.....	≥ 25 dB
Third order intercept point .....	24 dBm
Impedance .....	50Ω
Power consumption .....	60 W
Input AC voltage .....	100~240 V switching
DC over coax (to external antennas) .....	12-14 VDC
Output DC voltage (to receiver jacks)....	+12 V --- 1 A x 4
Output DC connectors.....	5.5mm OD, 2.1mm ID
Dimensions.....	480(W) X 45(H) X 250(D) mm
Weight .....	2.15 Kgs

# Specifications



- |                             |  |
|-----------------------------|--|
| 1. Power Switch             | 8. Antenna "B" output  |
| 2. AC input                 | 9. Cascade output "B"  |
| 3. DC output (to receivers) | 10. Antenna "B" input  |
| 4. DC output (to receivers) | 11. Power switch Antenna A&B (Internal)                      |
| 5. Antenna "A" input        | Switch on when using 12V DC over coax (to external antennas) |
| 6. Cascade output "A"       |  |
| 7. Antenna "A" output       |  |

NOTE: The DC Power-to-Antenna output is factory-set to the 'Off' position. To turn the Power-to-Antenna function 'On', the switch (labeled #11 above) must be moved to the 'On' position. However, access to this switch requires opening the DISTR04 housing cover, which can involve the risk of electric shock; see WARNING below.

WARNING: Opening the DISTR04 housing must only be done only by a qualified service technician, and only once ALL power removed to the unit (disconnect the main power cord from the unit, labeled #2 above).

