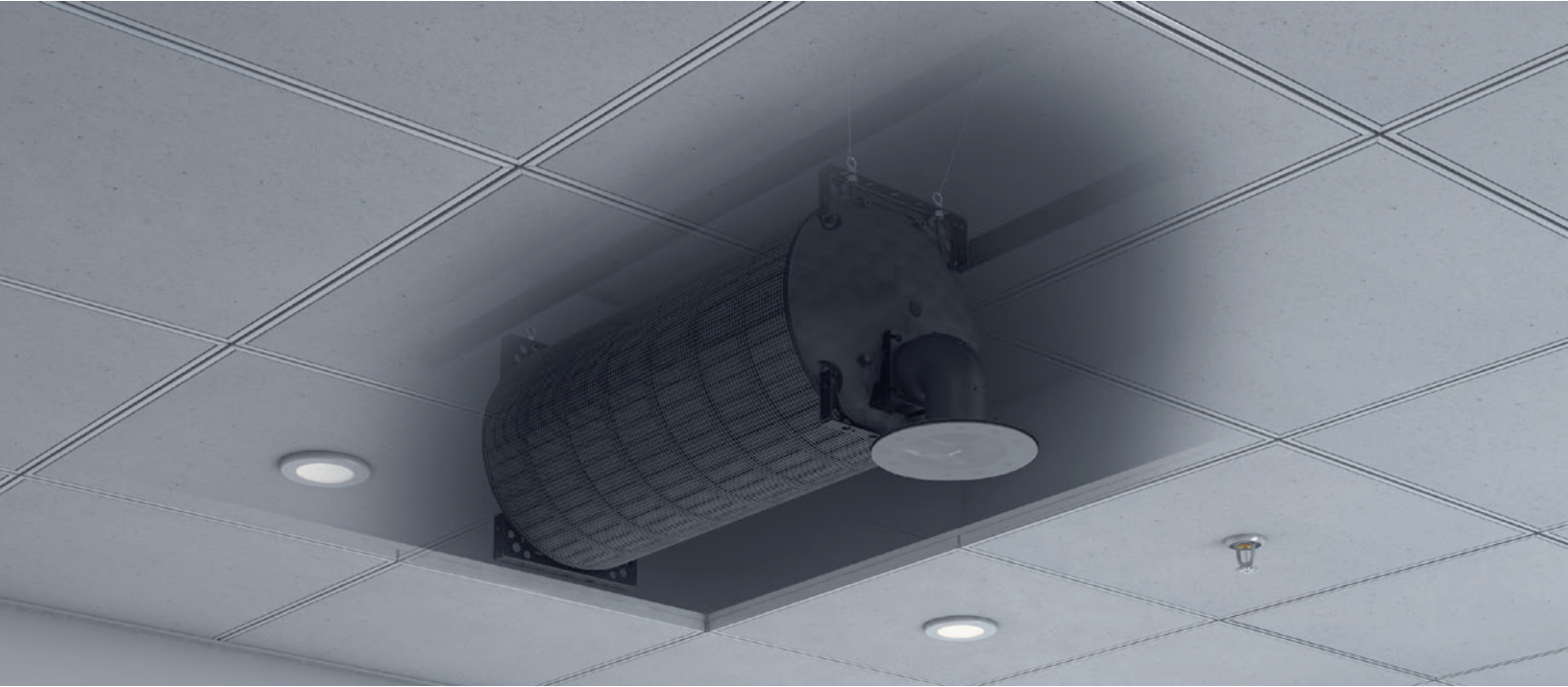


# SF 10C SUB

## SOUNDFIELD IN-CEILING SUBWOOFER



The SF 10C SUB is an in-ceiling subwoofer that complements the Extron range of speakers by extending the low frequency response in high performance audio applications. Suspended above the ceiling, this unique design is hidden from view and decoupled from the ceiling grid to greatly reduce rattling. With 800 watts program handling capacity and 4th order bandpass enclosure, the SF 10C SUB is an industry first that achieves low frequencies down to 25 Hz with high transient response and low resonance.

- ▶ Suspension mounting above the ceiling structure greatly reduces rattle
- ▶ 10" (254 mm) low frequency driver with a tuned port
- ▶ Frequency range: 25 Hz to 160 Hz
- ▶ 400 watts continuous pink noise  
800 watts continuous program
- ▶ 8 ohm operation
- ▶ UL 2043 plenum rated

## DESCRIPTION

The Extron **SF 10C SUB** is an in-ceiling subwoofer that complements the Extron range of ceiling and pendant speakers by extending the low frequency response in music and high performance audio applications. Designed to be suspended above the ceiling structure, the unique design of the plenum rated SF 10C SUB allows it to be hidden from view and decoupled from the ceiling grid to greatly reduce rattling. The 10" (254 mm) low frequency driver has 800 watts continuous program handling capacity from a direct 8 ohm connection for deep and powerful bass. The 4th order bandpass design and rigid composite in-ceiling enclosure is an industry first that achieves low frequency extension down to 25 Hz with high transient response and low resonance. The SF 10C SUB can also be installed free standing with the optional SMK F SF 10C floor standing kit.

The SF 10C SUB extends the low frequency range of any ceiling or program speaker system for full impact content. In a system that rolls off at 100 Hz, the SF 10C SUB can add two octaves of powerful bass without distortion. A subwoofer can cost effectively turn a thin sounding system into a good music playback system or a good music playback system into a great one.

### Visually Discreet

There are some common challenges when finding physical space to design a subwoofer into a system without interfering with room aesthetics. The plenum rated SF 10C SUB solves these challenges by being suspended in the airspace above the ceiling grid, out of the way and out of sight. The included ceiling speaker grille and C-ring provide everything necessary for a finished installation that matches other ceiling speakers in the room.

### Greatly Reduces Rattle

When any speaker physically touches another surface, sound vibrations are transferred. In the case of a subwoofer mounted directly to a ceiling grid, low frequency vibrations can cause components of that ceiling grid to rattle. By suspending the SF 10C SUB above the ceiling grid, the subwoofer and grid remain physically isolated from each other, making it impossible for vibrations from the sub to mechanically transfer to the grid.

### Extended Low Frequency Response for a Richer Experience

More than half the notes below middle C on a piano fall below 100 Hz, all the way down to 27.5 Hz. The open E string on an electric bass vibrates close to 41 Hz. Typical ceiling speakers and pendant speakers are only able to reproduce the upper harmonics of these notes, and the fundamental tones are effectively lost. Adding an SF 10C SUB subwoofer extends low frequency response down to 25 Hz, so listeners can experience the full impact of their content.

## FEATURES

### Pure Powerful Bass

Clean low frequencies, efficiently delivered, can significantly improve how content is experienced. The 10" driver of the SF 10C SUB, with its 800 watt program power handling, and 4th order bandpass enclosure design, provide room filling bass. The direct 8 ohm connection to a power amplifier avoids the low frequency rolloff and distortion associated with high impedance connections through a transformer. In a 70/100 volt system, the addition of an SF 10C SUB and dedicated 8 ohm amplifier removes the low frequencies from the high impedance signal path, resulting in clean bass and overall higher sound quality.

### Hardware Included

The SF 10C SUB comes with everything needed for a complete installation.

- ▶ Set of four 15' (4.6 m) steel cables with locking adapters
- ▶ Paintable ceiling speaker grille and C-ring disguise the subwoofer's output as an Extron ceiling speaker

### Key Features

- ▶ **Suspension mounting above the ceiling structure greatly reduces rattle** – Physically isolated from the ceiling grid, low frequency vibrations transferred to loose structural components is minimized
- ▶ **10" (254 mm) low frequency driver with a tuned port** – Designed specifically for low frequency extension
- ▶ **Frequency range: 25 Hz to 160 Hz**
- ▶ **800 watts continuous program**  
**400 watts continuous pink noise** – Power capacity per IEC 60268-5
- ▶ **8 ohm operation** – Direct low impedance power avoids low frequency transformer distortion
- ▶ **4th order bandpass design with a rigid composite enclosure** – Provides efficient, linear low frequency response with high transient response and low resonance
- ▶ **Includes installation and suspension hardware** – Four sets of 15' (4.6 m) steel cable with locking adapters are used to raise the SF 10C SUB into place and suspend it
- ▶ **Includes C-ring and paintable grille** – Port output into the room blends in with ceiling speakers
- ▶ **UL 2043 plenum rated** – Enclosure remains out of view when suspended above the ceiling grid
- ▶ **5-year parts and labor warranty**

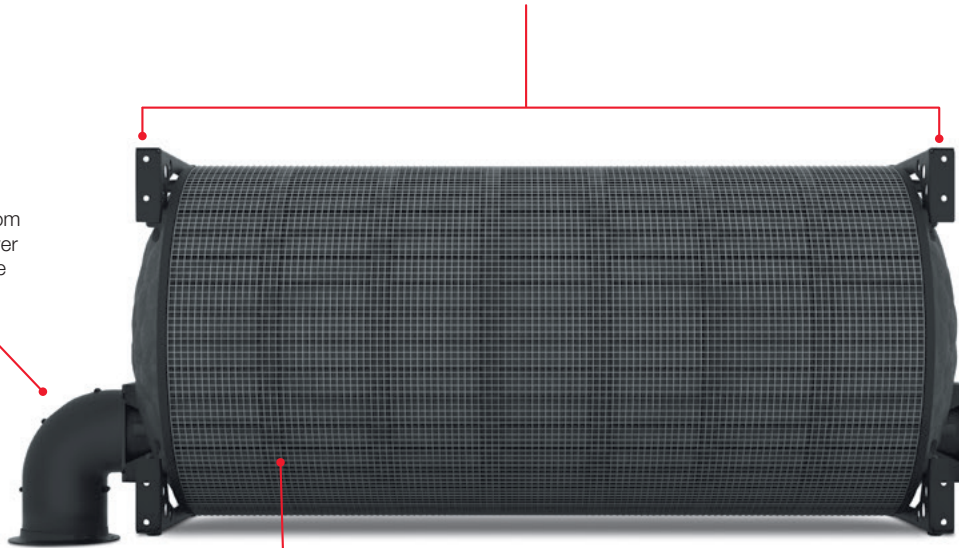
# APPLICATION

## Mounting Points

Suspended-by-wire mounting isolates the sub from the ceiling grid to avoid rattle. Can be mounted to threaded rod or the included steel aircraft cable.

## Tuned Port

Low frequencies from the internal 10" driver are directed into the room via this port



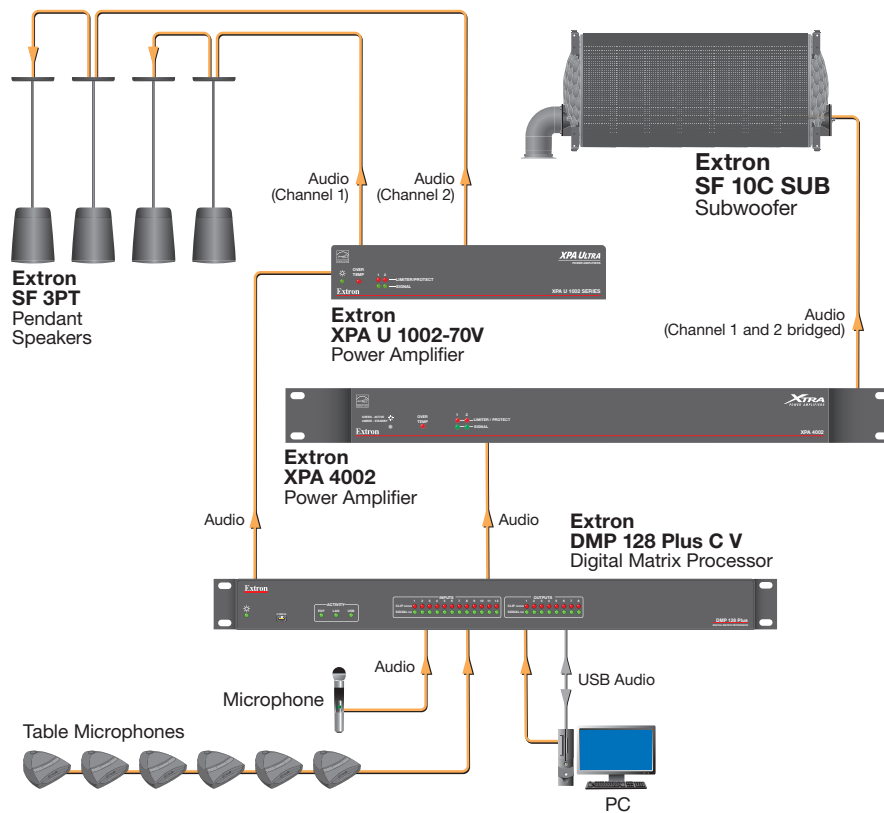
## UL 2043 rated for plenum use

Allows for installation in the plenum space, discreetly out of sight

## Audio Input

Direct connection to an 8 ohm power amplifier

# APPLICATION DIAGRAM

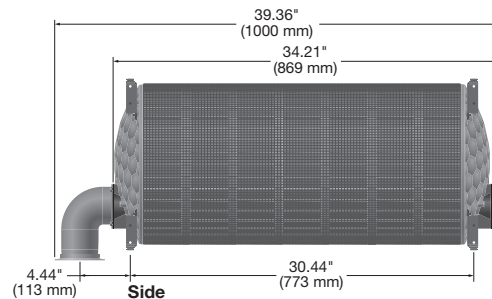
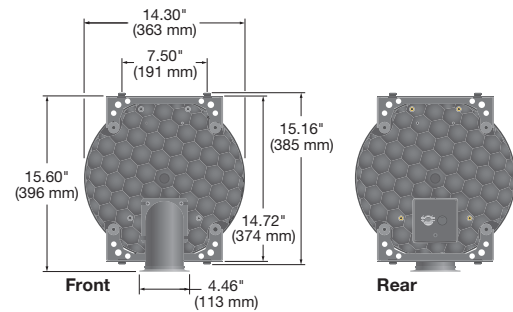


# SPECIFICATIONS

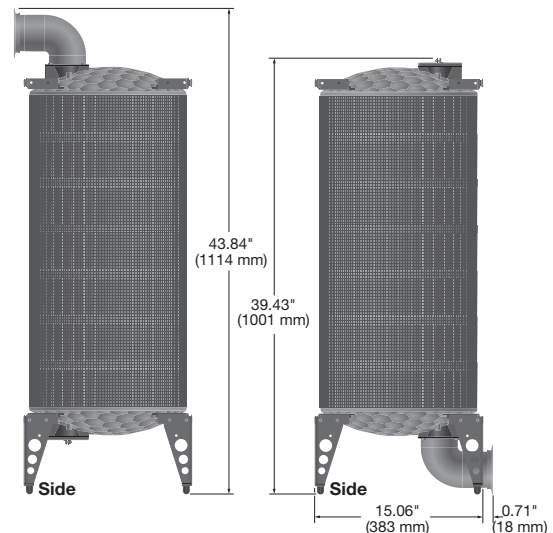
AUDIO/ACOUSTIC AND ELECTRICAL		
Frequency range	25 Hz to 160 Hz, -10 dB, half space (per IEC 60268-5)	
Power capacity	400 W (rms) continuous pink noise (per IEC 60268-5) 800 W (rms) continuous program	
Rated maximum input voltage (MIV)	35.7 V (160 W at 8 ohms) (per AES2-2012)	
Maximum SPL	116 dB, 1 m (based on maximum input voltage), full space 119 dB, 1 m (linear), full space	
Nominal sensitivity	93 dB SPL, 1 W/1 m, corner loading	
Nominal impedance	8 ohms	
Driver	(1) 10" (254 mm) paper cone with waterproof coating	
Input connector	(1) 5 mm captive screw connector, 4-pole, for double wiring	
GENERAL		
Included accessories	Cutout template, setup guide, grille assembly kit, cable clamps, mounting cables (aircraft cables), isolation grommets, eye bolts	
Temperature/humidity	Storage: -40 to +158 °F (-40 to +70 °C) / 10% to 90%, noncondensing Operating: +32 to +122 °F (0 to +50 °C) / 10% to 90%, noncondensing	
Mounting	Mounts horizontally in the ceiling (standard, with included parts) or vertically on the floor (with optional SMK F SF 10C kit). For unistrut mounting, the unit includes 0.5" (13 mm) diameter mounting holes 1.875" (48 mm) apart on center.	
Enclosure type	Plenum rated, fire resistant (UL 94V-0) composite with steel outer mesh and metal grille	
Enclosure dimensions	Without port tube 15.16" H x 14.30" W x 34.21" L (38.5 cm H x 36.3 cm W x 86.9 cm L) With port tube 15.83" H x 14.30" W x 39.36" L (40.2 cm H x 36.3 cm W x 100 cm L)	
Cutout dimensions	7.6" (193 mm) diameter (for the grille adapter kit)	
Horizontal mounting height	15.97" (406 mm) nominal distance from the bottom of the ceiling tile to the top of the unit	
Vertical mounting height	With optional SMK F SF 10C floor mounting kit installed With port on top 43.84" (111.4 cm) from the bottom of the mounting feet to the top of the port With port on bottom 39.43" (100.1 cm) from the bottom of the mounting feet to the top of the enclosure	
Product weight	SF 10C SUB 38.0 lbs (17.2 kg) Grille assembly 0.3 lbs (0.1 kg)	
Regulatory compliance	CE, RoHS, UL 1480A, UL 2043, WEEE	
Product warranty	5 years parts and labor	
<b>NOTE:</b> All nominal levels are at ±10%.		
<b>Model</b>	<b>Version Description</b>	<b>Part number</b>
SF 10C SUB	10" SoundField In-Ceiling Subwoofer	60-1610-01
SMK F SF 10C	SF 10C SUB Floor Standing Kit	70-1247-01

For complete specifications, please go to [www.extron.com](http://www.extron.com)  
Specifications are subject to change without notice.

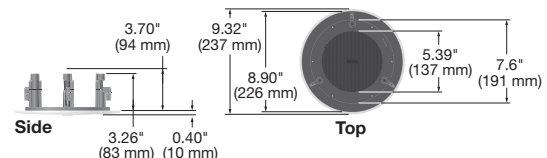
## Panel Drawings



### SF 10C SUB – With Optional Floor Standing Kit



### Ceiling Grille Adapter



## WORLDWIDE SALES OFFICES

Anaheim • Raleigh • Silicon Valley • Dallas • New York • Washington, DC • Toronto • Mexico City • Paris • London  
Frankfurt • Madrid • Stockholm • Amersfoort • Moscow • Dubai • Johannesburg • Tel Aviv • Sydney • Melbourne  
Bangalore • Mumbai • New Delhi • Singapore • Seoul • Shanghai • Beijing • Hong Kong • Tokyo

[www.extron.com](http://www.extron.com)