

SF 26CT

6.5" TWO-WAY CEILING SPEAKERS
WITH 8" COMPOSITE BACK CAN
AND 70/100 V TRANSFORMER



The Extron SoundField® XD model SF 26CT is a 6.5" two-way ceiling speaker featuring an 8" (20.3 cm) deep composite back can for use in plenum rated ceiling environments. The driver complement includes a 6.5" (16.5 cm) woofer coupled to a 3/4" (1.9 cm) ferrofluid-cooled dome tweeter. A magnetically attached grille with a thin-edged bezel gives the SF 26CT a refined appearance on the ceiling. The SF 26CT is ideal for applications that require a high power distributed speaker system.

- ▶ 6.5" (16.5-cm) long throw woofer with a tuned bass reflex enclosure
- ▶ 3/4" (1.9-cm) ferrofluid-cooled dome tweeter
- ▶ 8" (20.3 cm) deep, low profile, plenum rated, composite back can
- ▶ Frequency range: 65 Hz to 22 kHz
- ▶ 111° conical dispersion
- ▶ 65 watts continuous pink noise, 130 watts continuous program
- ▶ 8 ohm direct or 70/100 volt operation
- ▶ Magnetically attached grille with a thin bezel for a refined appearance
- ▶ Grille and bezel are white and can be painted to match any environment
- ▶ Separable back can and speaker baffle supports both single-trade and division-of-labor applications
- ▶ Modular V-rail and folding C-ring kit included
- ▶ Cable/conduit access plate can be oriented for side or top mount connections
- ▶ Opti-Torque indicator rings prevent overtightening of locking arm screws
- ▶ Four locking arms for quick ceiling installation
- ▶ UL 2043 plenum rated enclosure
- ▶ 5-year parts and labor warranty



Extron Electronics
INTERFACING, SWITCHING AND CONTROL

DESCRIPTION

The Extron **SoundField® XD** model SF 26CT is a 6.5" two-way ceiling speaker featuring an 8" (20.3 cm) deep composite back can for use in plenum rated ceiling environments. The driver complement includes a 6.5" (16.5 cm) woofer coupled to a 3/4" (1.9 cm) ferrofluid-cooled dome tweeter. With the AV industry's first UL 2043 listed composite speaker enclosure, the SF 26CT meets stringent UL requirements for smoke and heat release in plenum air spaces. A magnetically attached grille with a thin-edged bezel gives the SF 26CT a refined appearance on the ceiling. The SF 26CT offers both direct 8 ohm and 70/100 volt operation with a behind-the-grille, six position power selector switch. With 70/100 volt taps at 8, 16, 32, and 64 watts, the SF 26CT can be used in applications where a high power distributed speaker system is needed.

The SF 26CT provides a wider and smoother frequency range of 65 Hz to 22 kHz and is engineered with a 111° conical dispersion that ensures excellent on and off axis voice intelligibility. A power rating of 130 watts continuous program also gives this speaker plenty of headroom for music reproduction in moderate to high output systems.

Plenum Rated Composite Enclosure

The ideal speaker enclosure needs to be constructed in such a way as to avoid internal standing waves and resonances in the enclosure itself. It should also be lightweight and fire tested for use in plenum air-handling spaces. We were able to achieve all of these requirements by injection molding the enclosure with a fire resistant composite material. The result is a rigid, acoustically damped, lightweight, plenum rated enclosure that is UL 2043 listed.

Supports Division of Labor and Single Trade

Shipped as a complete speaker assembly, the SF 26CT is ideal for both single-trade and division-of-labor installations. The SF 26CT speaker can be installed by a single contractor as a self-contained unit for retrofits and new construction. For larger projects with multiple trades, the back can and speaker baffle can be separated, allowing the rough-in contractor to install and fully terminate the back can. Once the job site is clean and secure, the AV integrator can then easily install the speaker baffle and grille.

Magnetically Attached Modern Looking Grille

The SF 26CT features a finely perforated round metal grille with a thin-edged rounded bezel for a refined appearance on the ceiling. The grille securely attaches magnetically to the baffle and quickly snaps into place. An optional square grille is available with the same finely perforated metal and thin-edged rounded bezel. This gives the owner, architect, or interior designer an additional choice for matching the décor. The grille assemblies are white and can be painted to match the architectural elements of the environment.

FEATURES

- ▶ 6.5" (16.5 cm) long throw woofer with a tuned bass reflex enclosure
- ▶ 3/4" (1.9 cm) ferrofluid-cooled dome tweeter
- ▶ 8" (20.3 cm) deep composite back can for plenum environments
- ▶ Frequency range: 65 Hz to 22 kHz
- ▶ 111° conical dispersion
- ▶ 65 watts continuous pink noise, 130 watts continuous program
- ▶ 8 ohm direct or 70/100 volt operation on a 6 position, behind-the-grille selector —
 - 8 ohm direct
 - 70 volt: 64, 32, 16, and 8 watt selectable
 - 100 volt: 64, 32, and 16 watt selectable
- ▶ Magnetically attached grille with a thin bezel for a refined appearance
- ▶ Grille and bezel are white and can be painted to match any environment
- ▶ Separable back can and baffle supports both single-trade and division-of-labor applications
- ▶ Modular V-rail and folding C-ring kit included
- ▶ Cable/conduit access plate can be oriented for side or top connections
- ▶ Opti-Torque indicator rings prevent overtightening of locking arm screws
- ▶ Four locking arms for quick ceiling installation
- ▶ UL 2043 plenum rated enclosure
- ▶ 5-year parts and labor warranty

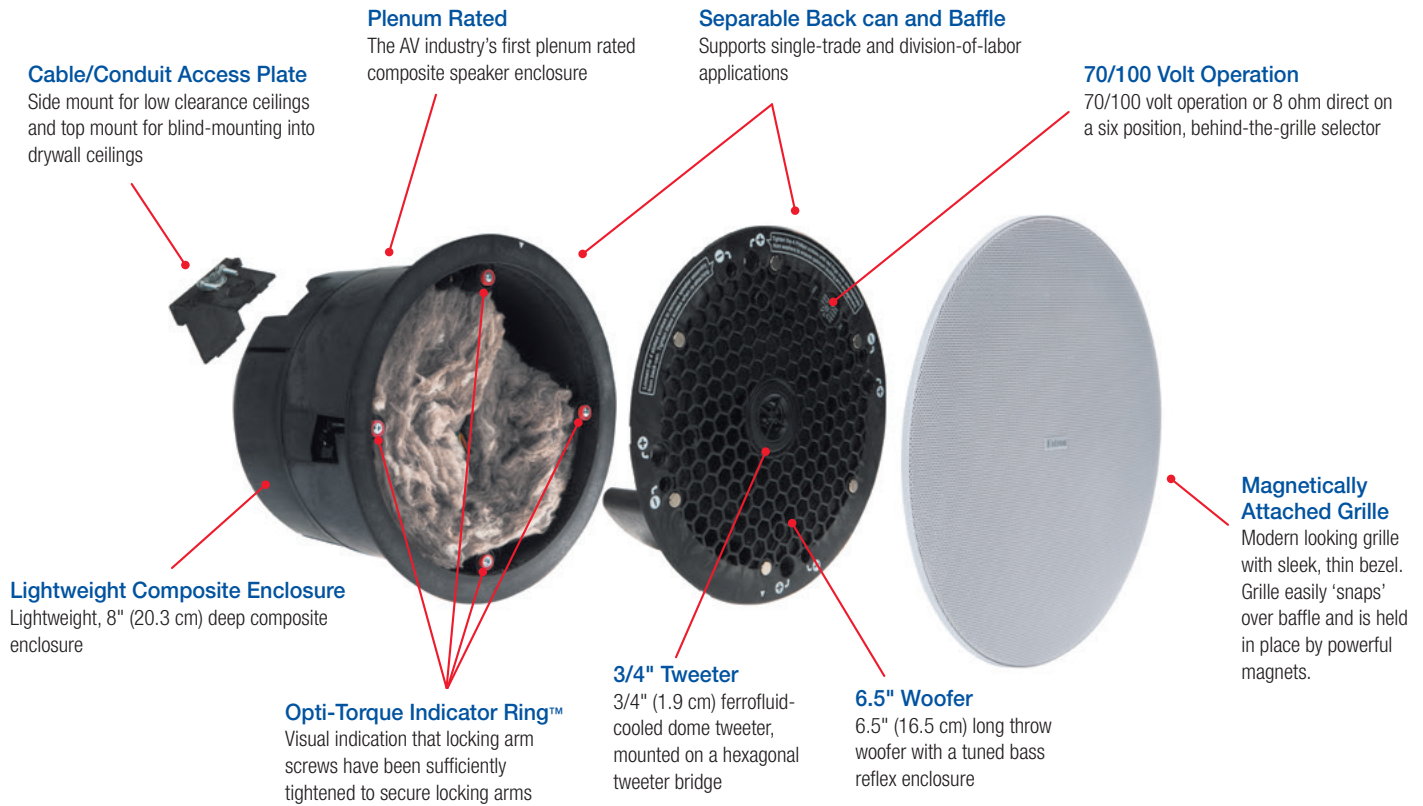


Optional square grille available

Ideal for applications where architects and designers prefer square design elements

THE CEILING SPEAKER REIMAGINED

The SF 26CT represents a new paradigm in speaker technology for pro AV applications. We designed the SF 26CT from the ground up. With innovative materials, modular construction, and unique features, these new SoundField XD speakers provide significant savings and superior performance. The SF 26CT is a 6.5" two-way ceiling speaker featuring an 8" (20.3 cm) deep composite back can for use in plenum rated ceiling environments. The driver complement includes a 6.5" (16.5 cm) woofer coupled to a 3/4" (1.9 cm) ferrofluid-cooled dome tweeter.



SPECIFICATIONS

AUDIO/ACOUSTIC AND ELECTRICAL	
Speaker type	2-way ceiling speaker with composite back can
Frequency range	65 Hz to 22 kHz, -10 dB, half space (per IEC 60268-5)
Frequency response	88 Hz to 22 kHz, +3dB, half space
Power capacity	65 W (rms) continuous pink noise 130 W (rms) continuous program
Rated maximum input voltage (MIV)	22.4 V (62.6 W at 8 ohms) (per AES2-2012)
Maximum SPL	104 dB, 1 m (based on MIV) 106 dB, 1 m (linear)
Nominal sensitivity	88 dB SPL, 1W, 1 m, half space
Nominal impedance	8 ohms per speaker
Crossover frequency	2.5 kHz
Nominal coverage angle	111° conical coverage (1 kHz to 4 kHz)
Drivers	
Woofer	(1) 6.5" (165 mm) polypropylene cone with moisture resistant coating
Tweeter	(1) 0.75" (19.1 mm) PEI dome
Rotary switch taps	70 V: 64 W, 32 W, 16 W, 8 W, 8 ohms direct 100 V: null, 64 W, 32 W, 16 W, 8 ohms direct
Overload protection	Full range power limiter with the 8 ohm direct input only, protecting the tweeter, woofer, and crossover
Input connector	(1) 5 mm captive screw connector, 4 pole for 1 input and 1 loop-through
GENERAL	
Package	2 speakers (1 pair)
Included accessories	Cutout template/paint shield, setup guide, mounting screws, 4 V-rails, 2 C-rings, 2 round grilles, 2 cable clamps, 2 captive screw connectors

Temperature/humidity	Storage: -40 to +158 °F (-40 to +70 °C) / 10% to 90%, noncondensing Operating: +32 to +122 °F (0 to +50 °C) / 10% to 90%, noncondensing	
Mounting	Ceiling mountable with included hardware	
Enclosure type	Plenum rated, fire-resistant (UL94V-0) composite back can/baffle; Magnetically attached powder-coated steel grille with plastic bezel.	
Enclosure outer dimensions	8.34" H x 10.64" diameter (211.8 mm x 270.3 mm diameter) 8.0" H (203.2 mm H) from front of ceiling tile to back of rear enclosure	
Cutout dimensions	9.3" diameter (236.2 mm diameter)	
Product weight	9.4 lbs (4.3 kg) each	
Regulatory compliance		
Safety	CE, UL 2043, UL1480, NFPA 90A, NFPA 70 UL Listed for use in plenum airspaces: UL 2043 listed for heat and smoke release, UL 1480 listed for commercial and professional audio systems	
Environmental	RoHS, WEEE	
Warranty	5 years parts and labor	
NOTE: All nominal levels are at ±10%.		
Model	Version Description	Part number
SF 26CT	6.5" Two-way SoundField XD ceiling speaker	60-1310-03

For complete specifications, please go to www.extron.com
Specifications are subject to change without notice.

DESIGNED FOR THE INTEGRATOR

Two-Piece Design for Installation Flexibility

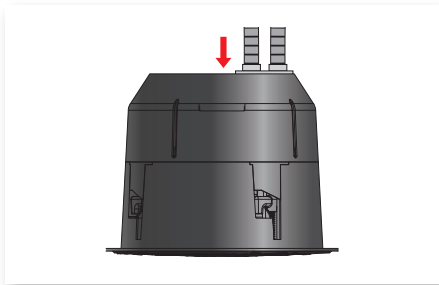
Shipped as a complete speaker assembly, the SF 26CT LP is ideal for both single-trade and division-of-labor installations. The SF 26CT speaker can be installed by a single contractor as a self-contained unit for retrofits and new construction. For larger projects with multiple trades, the back can and speaker baffle can be separated, allowing the rough-in contractor to install and fully terminate the back can. Once the job site is clean and secure, the AV integrator can then easily install the speaker baffle and grille.



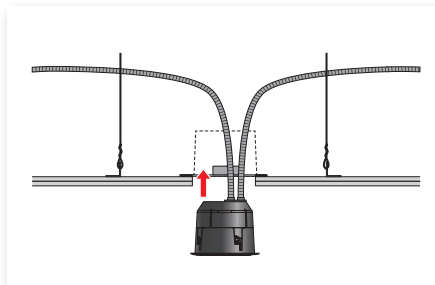
Versatile Cable/Conduit Access Plate

The cable/conduit access plate is used to bring speaker cable into the enclosure, whether free-pulled or through flex conduit. The cable/conduit access plate has two punch-outs for 1/2" conduit, flex or screw clamp fittings. Two punch-outs allow easy daisy chaining from speaker to speaker. The cable/conduit access plate can be oriented for side mount or for top mount. The side mount orientation allows cable/flex/conduit to enter into the side of the enclosure, without increasing the overall 8" depth of the speaker. The top mount orientation allows for blind-mounting into drywall ceilings, keeping all cable/flex/conduit connections on the top.

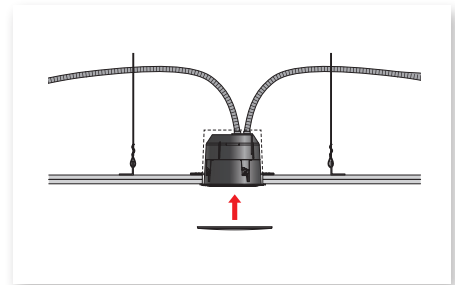
The top mount orientation allows for blind-mounting into drywall ceilings, keeping all cable/flex/conduit connections on the top (see below).



Install Cable/Conduit Access Plate

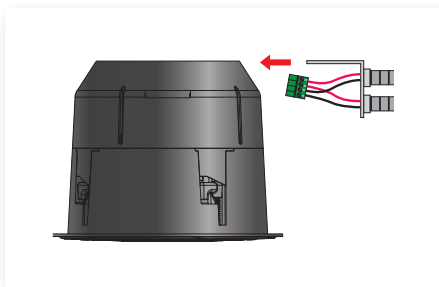


Mount Speaker in Ceiling

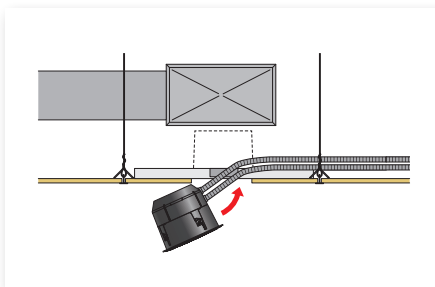


Install Grille

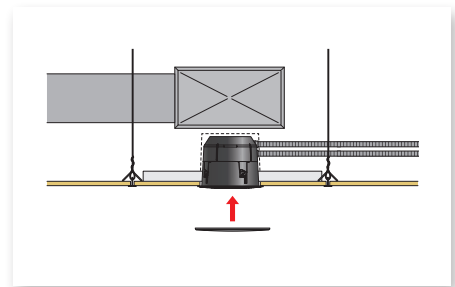
The side mount orientation allows cable/flex/conduit to enter into the side of the enclosure, keeping the overall 8" depth of the speaker (see below).



Install Cable/Conduit Access Plate

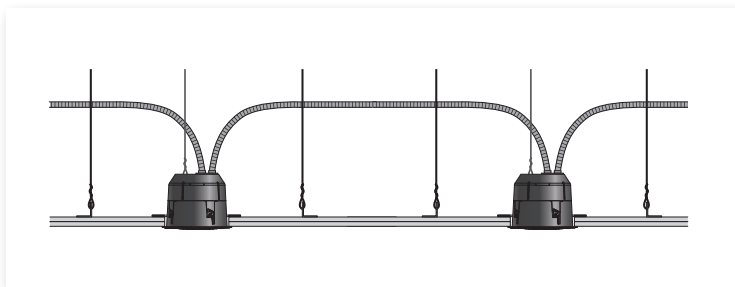


Mount Speaker in Ceiling



Install Grille

Two punch-outs in the cable/conduit access plate allows for easy daisy chaining from speaker to speaker.



MODULAR V-RAILS AND FOLDABLE C-RINGS

To facilitate installation in a T-bar ceiling, modular V-rails and foldable C-rings are included with the SF 26CT. The V-rails have been designed as a two-part assembly that can be snapped together in the field.



Put Two Pieces Together at 90° Angle



Straighten to 180° Angle



V-Rail Locks into Place

The foldable C-rings have been designed to make it easier to get them into place, even in blind-mount drywall applications. Snake the C-ring up through the speaker cut-out hole, unfold it, and position it as needed. The result is a continuous metal support around the entire cut-out, resulting in a more secure attachment to the ceiling.



Insert C-Ring in Ceiling



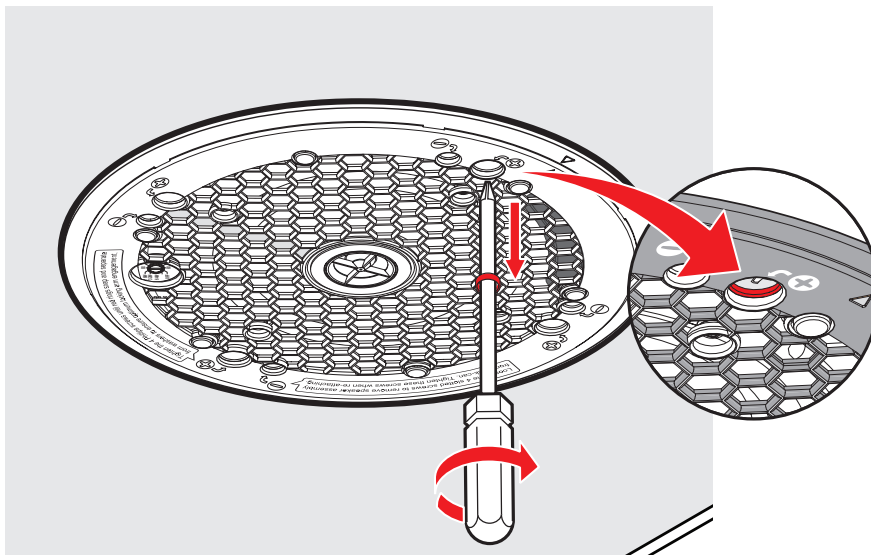
Spread Open C-Ring



Lay Flat

Opti-Torque Indicator Rings

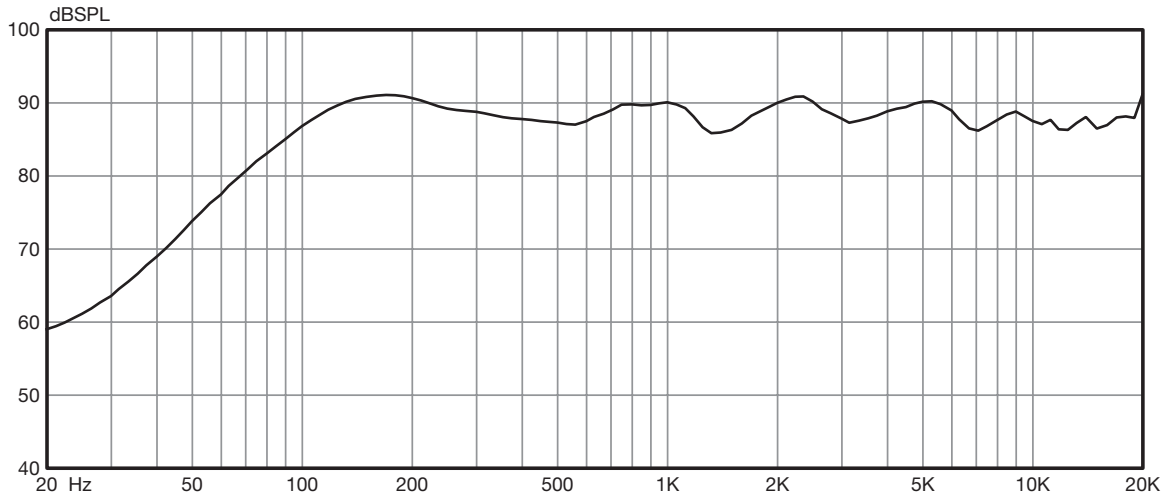
The SF 26CT features exclusive Opti-Torque™ indicator rings that provide a visual indication when the locking arm screws have been sufficiently tightened, preventing damage to the speaker caused by overtightening. When the installation technician is tightening the locking arms, the red Opti-Torque™ indicator ring audibly snaps when the proper torque has been applied. As a visual indicator, the red ring drops down onto the screw driver shaft, signaling to the technician that the proper force has been applied.



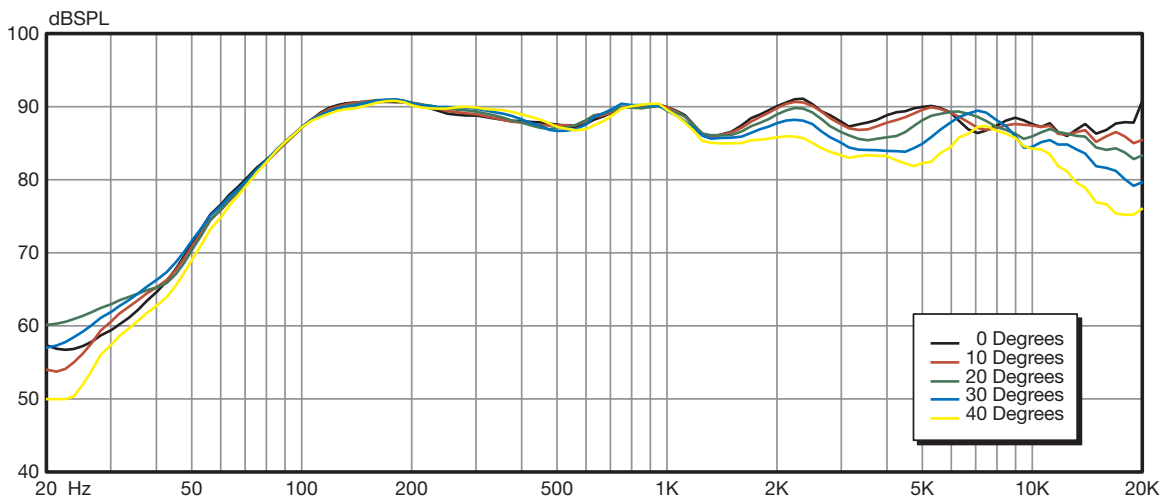
Opti-Torque Indicator Ring drops onto screwdriver shaft

RESPONSE GRAPHS - FREQUENCY AND IMPEDANCE

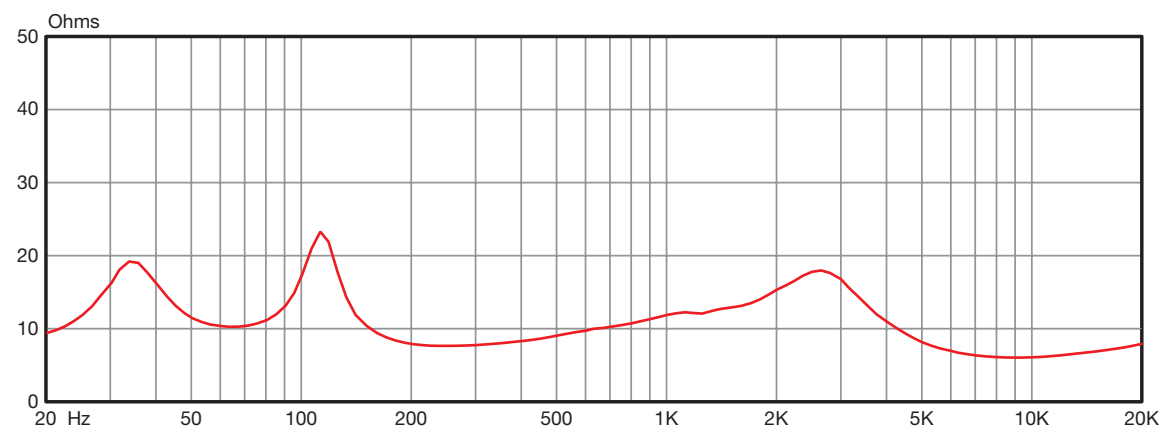
SPL VS. FREQUENCY - 1 WATT @ 1 METER RESPONSE, HALF SPACE (2π)



SPL VS. FREQUENCY - HORIZONTAL OFF-AXIS RESPONSE, HALF SPACE (2π)

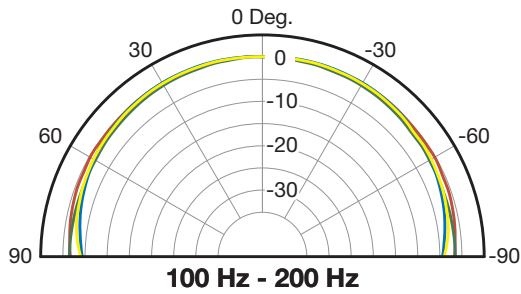


IMPEDANCE VS. FREQUENCY

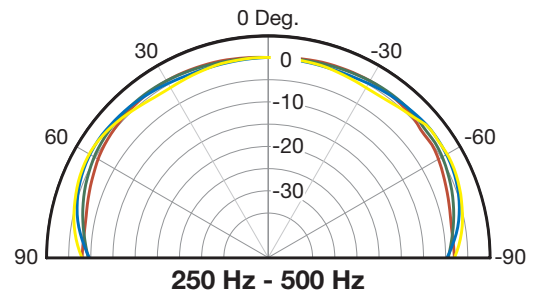


POLAR GRAPHS - 1/3 OCTAVE, Horizontal

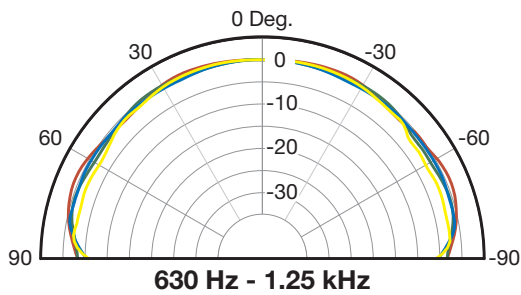
100.00 Hz 160.00 Hz
 125.00 Hz 200.00 Hz



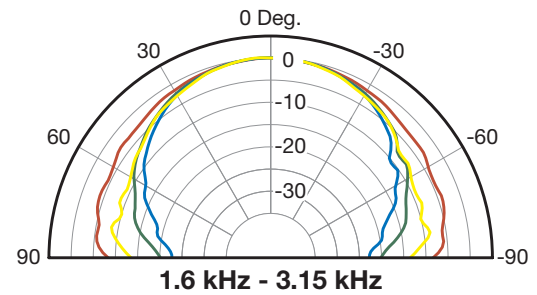
250.00 Hz 400.00 Hz
 315.00 Hz 500.00 Hz



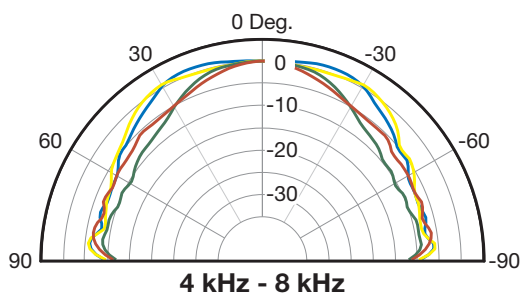
630.00 Hz 1.00 kHz
 800.00 Hz 1.25 kHz



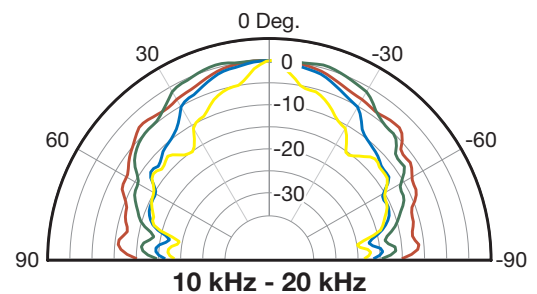
1.60 kHz 2.50 kHz
 2.00 kHz 3.15 kHz



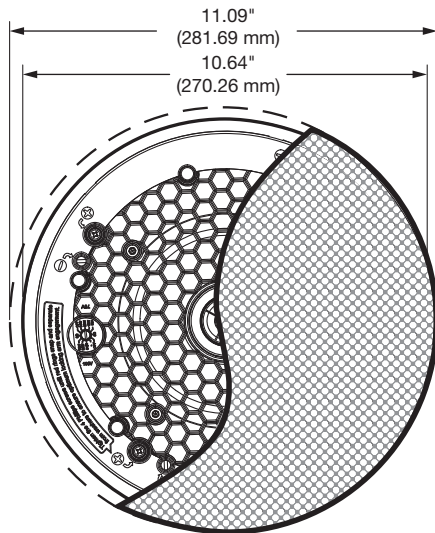
4.00 kHz 6.30 kHz
 5.00 kHz 8.00 kHz



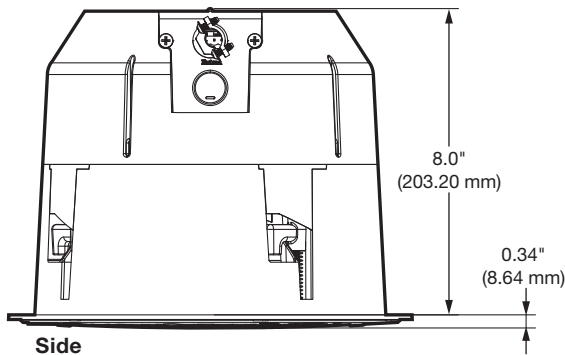
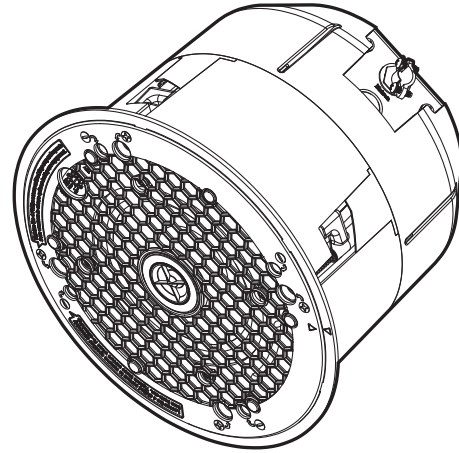
10.00 kHz 16.00 kHz
 12.50 kHz 20.00 kHz



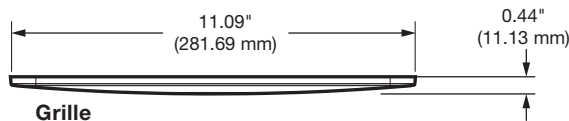
PANEL DRAWINGS



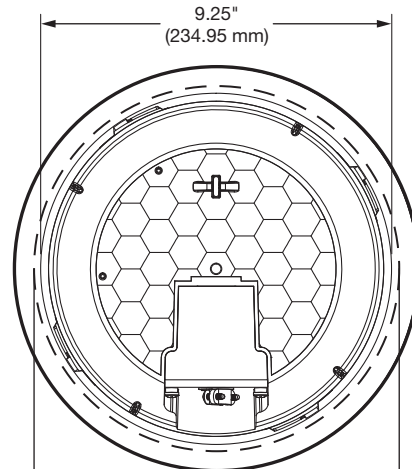
Front View



Side



Grille



Rear



Cutout

WORLDWIDE SALES OFFICES

Anaheim • Raleigh • Silicon Valley • Dallas • New York • Washington, DC • Toronto • Mexico City • Paris • London • Frankfurt
 Madrid • Stockholm • Amersfoort • Moscow • Dubai • Johannesburg • Tel Aviv • Sydney • Melbourne
 New Delhi • Bangalore • Singapore • Seoul • Shanghai • Beijing • Hong Kong • Tokyo

www.extron.com