

SF 26X

TWO-WAY SOUNDFIELD OPEN BACK 8 OHM CEILING SPEAKERS

- ▶ Open back, infinite baffle design
- ▶ 8 ohm nominal impedance
- ▶ 6.5" (16.5 cm) polypropylene woofer
- ▶ 3/4" (1.9 cm) ferrofluid-cooled dome tweeter
- ▶ Frequency range: 50 Hz to 20 kHz
- ▶ 25 watts continuous pink noise, 50 watts continuous program
- ▶ 107° conical dispersion
- ▶ Internal driver overload protection
- ▶ Thin bezel and magnetically attached grille
- ▶ Spring-loaded locking arms for quick ceiling installation
- ▶ 5 year parts and labor warranty



The Extron SF 26X is a two-way ceiling speaker featuring an open back and coaxial dual driver design. The SF 26X delivers accurate voice and detailed music reproduction, as well as wide angle sound distribution and uncolored off-axis response. This SoundField® Series speaker is ideally suited for overhead distributed audio applications for music and voice in classrooms, conference rooms, and boardrooms.



Extron Electronics
INTERFACING, SWITCHING AND CONTROL

DESCRIPTION

The Extron **SoundField SF 26X** is a two-way ceiling speaker featuring an open back and coaxial dual driver design for use in non-plenum airspace environments. The driver complement includes a 6.5" (16.5 cm) woofer coupled to a 3/4" (1.9 cm) ferrofluid-cooled dome tweeter. The SF 26X provides a frequency range of 50 Hz to 20 kHz for accurate voice and detailed music reproduction. This speaker offers a nominal impedance of 8 ohms, and is engineered with a wide, uniform 107° conical coverage and uncolored off-axis response. The SF 26X features a thin-edged bezel for a refined appearance on the ceiling, and a magnetically attached grille.

Music reproduction is enhanced with the exceptional low-frequency response of the polypropylene woofer, which is specifically designed for infinite baffle environments, and extends the frequency range down to 50 Hz. The dome tweeter provides wide mid and high frequency dispersion for optimal area coverage.

This SoundField Series speaker is ideally suited for overhead distributed audio applications for music and voice in classrooms, conference rooms, and boardrooms.

The SF 26X is designed for 8 ohm direct connection to power amplifiers, and provides a simple means to wire speakers in parallel for 4 ohm amplifier operation. It features a power rating of 25 watts continuous pink noise and 50 watts continuous program capacity.

SF 26X speakers are sold in pairs and include a 5 year parts and labor warranty.

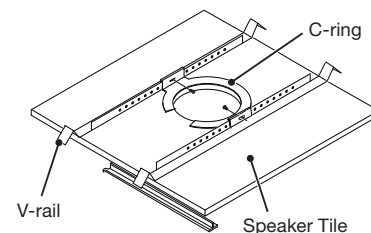
KEY FEATURES

- ▶ Open back, infinite baffle design
- ▶ 8 ohm nominal impedance
- ▶ 6.5" (16.5 cm) polypropylene woofer
- ▶ 3/4" (1.9 cm) ferrofluid-cooled dome tweeter
- ▶ Frequency range: 50 Hz to 20 kHz
- ▶ 25 watts continuous pink noise, 50 watts continuous program
- ▶ 107° conical dispersion
- ▶ Internal driver overload protection
- ▶ Thin bezel and magnetically attached grille
- ▶ Spring-loaded locking arms for quick ceiling installation
- ▶ Optional Ceiling Mount Kit available for use with ceiling tiles, part # 70-991-01 – includes C-rings & V-rails
- ▶ Four pole captive screw connector simplifies parallel speaker wiring
- ▶ Grille and bezel are available in white only and may be painted to match environment
- ▶ 5 year parts and labor warranty

SPECIFICATIONS

AUDIO/ACOUSTIC AND ELECTRICAL		
Speaker type	2-way, open back ceiling speaker	
Frequency range	50 Hz to 20 kHz, -10 dB, half space	
Power capacity	25 W (rms) continuous pink noise 50 W (rms) continuous program	
Nominal sensitivity	83 dB SPL, 1 W, 1 m, half space (per IEC 60268-5)	
Nominal impedance	8 ohms	
Crossover frequency	2.3 kHz	
Nominal coverage angle	107° conical coverage (1 kHz - 4 kHz, weighted 2 kHz - 4 kHz)	
Woofer	(1) 6.5" (165.1 mm) polypropylene cone with moisture resistant coating	
Tweeter	(1) 3/4" (19.05 mm) PEI dome	
Overload protection	Full range power limiter, protecting the tweeter, woofer, and crossover	
Input connector	(1) 5 mm captive screw connector, 4 pole with loop-through	
GENERAL		
Package	2 speakers (1 pair)	
Included accessories	Cutout template, setup guide, 2 grille hooks	
Temperature/humidity	Storage: -40 to +158 °F (-40 to +70 °C) / 10% to 90%, noncondensing Operating: +32 to +122 °F (0 to +50 °C) / 10% to 90%, noncondensing	
Overload protection	Full range power limiter, protecting the tweeter, woofer, and crossover	
Mounting	Ceiling mountable by itself or with optional ceiling mount kit	
Baffle type	Plastic, open back, infinite baffle design	
Outer dimensions	3.0" H x 9.0" diameter (75.0 mm H x 228.6 mm diameter) From front/bottom of the ceiling tile to the top of withdrawn locking arms	
Cutout dimensions	7.6" diameter (194 mm diameter)	
Product weight	2.6 lbs (1.2 kg) each	
Vibration	ISTA 1A in carton (International Safe Transit Association)	
Regulatory compliance	Environmental Complies with the appropriate requirements of RoHS, WEEE	
Warranty	5 years parts and labor	
NOTE: All nominal levels are at ±10%.		
Model	Version Description	Part number
SF 26X	Ceiling - Open Back, Pair	60-1312-03
Ceiling Mount Kit	SF 26X	70-991-01

For complete specifications, please go to www.extron.com
Specifications are subject to change without notice.



The Extron Ceiling Mount Kit is an optional installation accessory for the SF 26X ceiling speakers. It is used to install them into a suspended T-bar ceiling, providing additional support to prevent damage to the acoustical ceiling tiles.

The Ceiling Mount Kit consists of two C-rings and four V-rails. One kit is needed for each pair of speakers. The ends of the V-rails fit over the T-bars. The C-ring rests on the V-rails, and is situated just above the opening in the ceiling tile. The speaker is then installed with its locking arms resting on the C-ring.

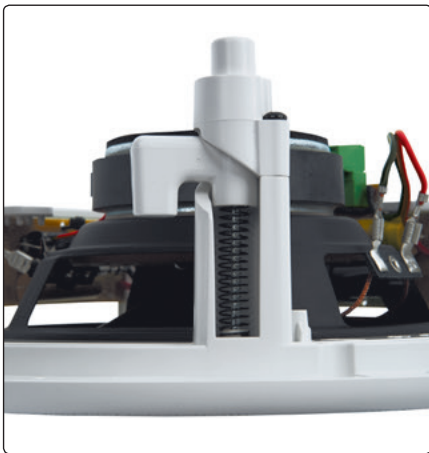
CONTEMPORARY STYLING AND INSTALLATION FEATURES

The SF 26X features several design elements that allow unobtrusive ceiling placement and streamlined installation. The design of the thin-edged bezel allows the speaker to blend into the ceiling, while the magnetically attached grille allows for snap-in installation as well as quick removal. Installers will also appreciate the quick deployment of the spring-loaded arms, plus the convenient four-pole captive screw connector for easy parallel speaker wiring.



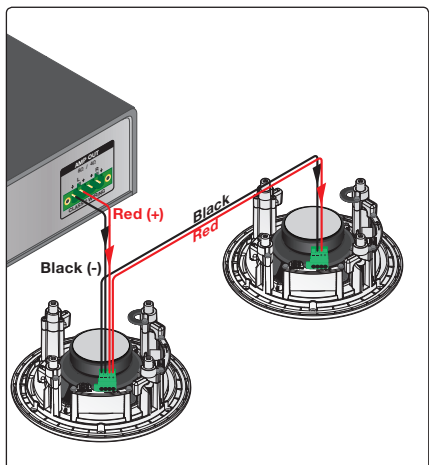
Reduced Visual Impact

The bezel of the SF 26X is almost completely hidden under the speaker grille, exposing just a thin edge for a refined appearance on the ceiling. The grille attaches magnetically to the baffle with six strong neodymium magnets and quickly snaps into place. This avoids the need to force a grille into position which could damage the ceiling material. The white grille and bezel can be painted to match the architectural elements of the environment.



Spring-Loaded Locking Arms

The four locking arms on the SF 26X are designed for easy deployment. The spring-loaded design keeps the arm stowed in place to prevent binding during installation. The arm begins its downward travel without hesitation as the screw is rotated. This smooth cam action reduces installation effort and time.

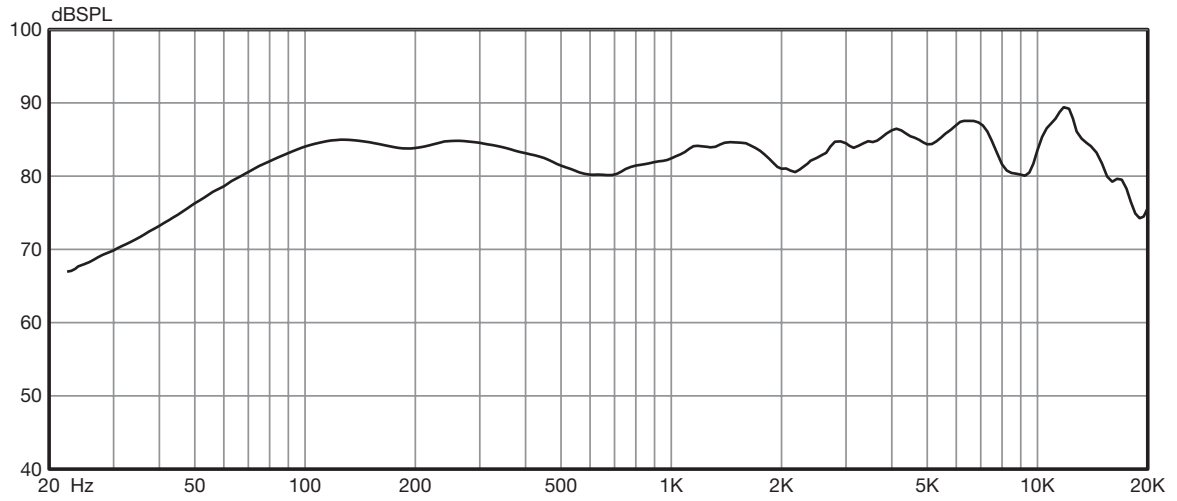


Integrated Parallel Speaker Wiring Connections

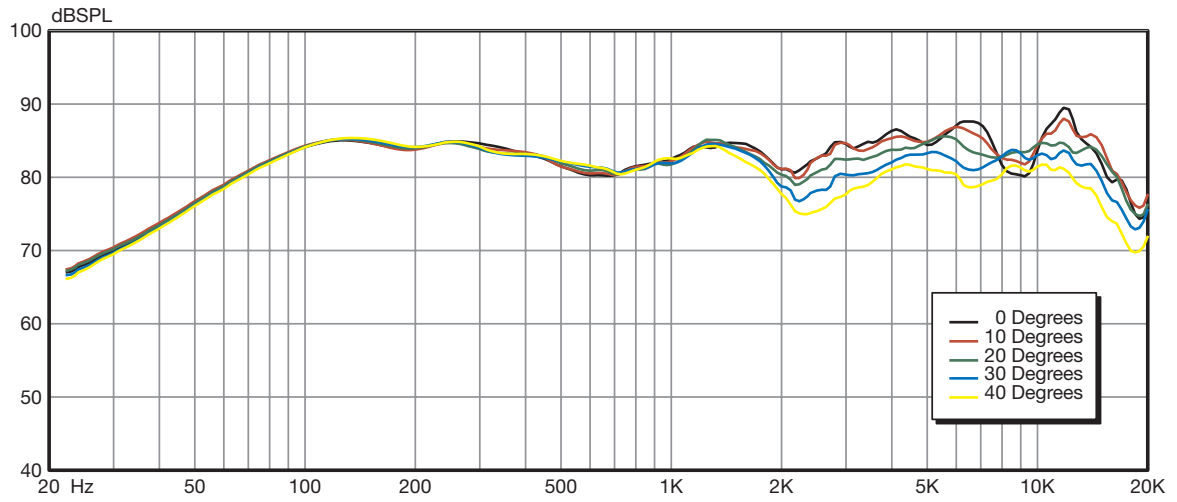
The SF 26X allows for very easy and straightforward wiring for two speakers in parallel, eliminating the need to twist conductors and force them into a single connector. Attach Extron **SPK Series** two-conductor speaker cable from the amplifier to the center positive and negative poles of the included captive screw plug. Then, use the adjacent terminals to make a new wiring connection to a second SF 26X. Parallel wiring is enabled through integrated connections between the terminals when the captive screw plug is inserted into the four-pole receptacle on the speaker crossover board. The SF 26X accepts Extron SPK Series speaker cable up to 12 AWG.

RESPONSE GRAPHS – FREQUENCY AND IMPEDANCE

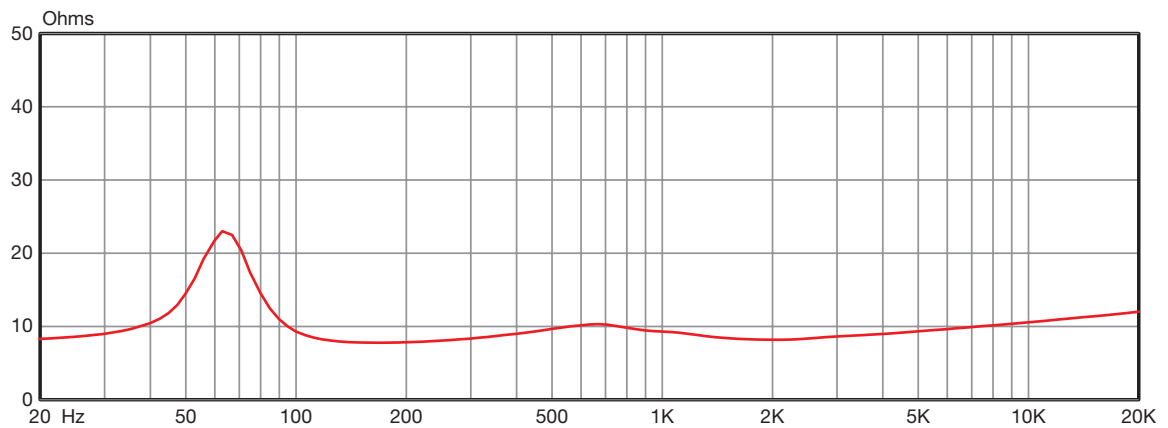
SPL VS. FREQUENCY – 1 WATT @ 1 METER RESPONSE, HALF SPACE (2π)



SPL VS. FREQUENCY – HORIZONTAL OFF-AXIS RESPONSE, HALF SPACE (2π)

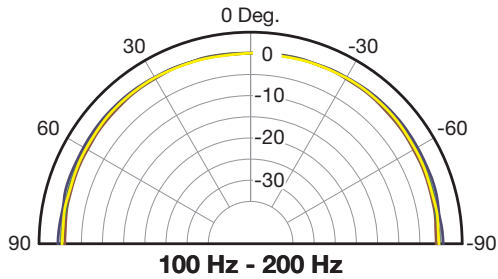


IMPEDANCE VS. FREQUENCY

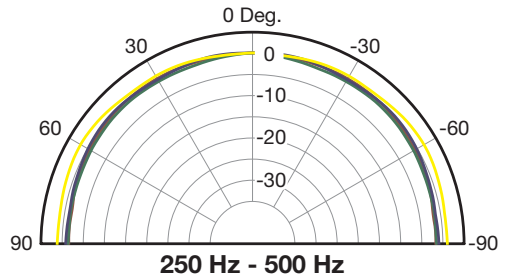


POLAR GRAPHS - 1/3 OCTAVE, HORIZONTAL

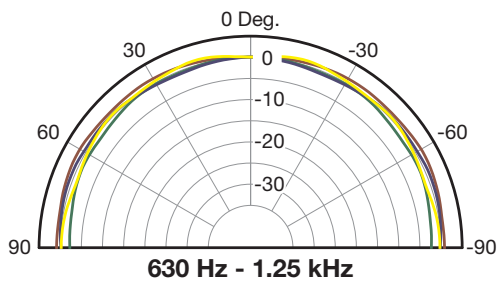
100.00 Hz 160.00 Hz
125.00 Hz 200.00 Hz



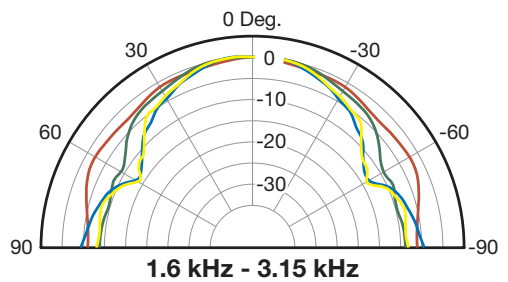
250.00 Hz 400.00 Hz
315.00 Hz 500.00 Hz



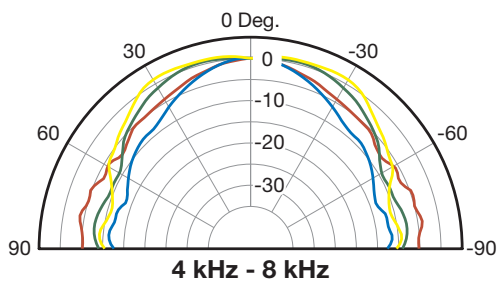
630.00 Hz 1.00 kHz
800.00 Hz 1.25 kHz



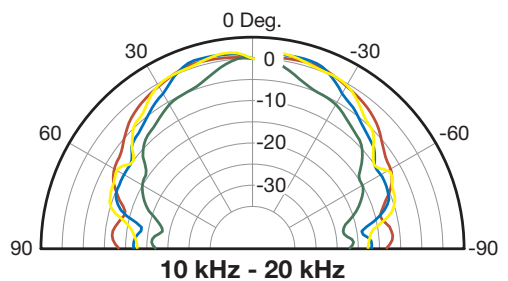
1.60 kHz 2.50 kHz
2.00 kHz 3.15 kHz



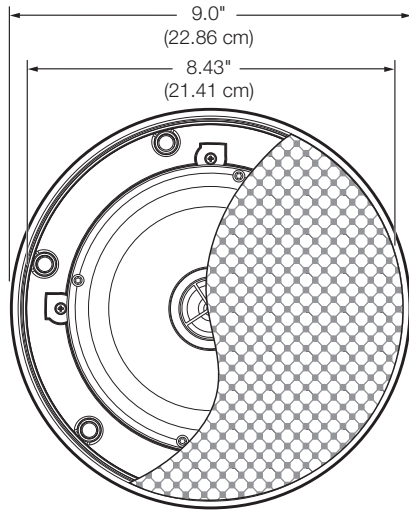
4.00 kHz 6.30 kHz
5.00 kHz 8.00 kHz



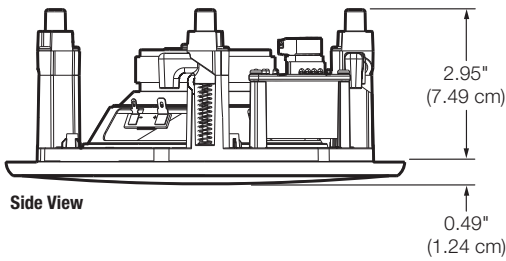
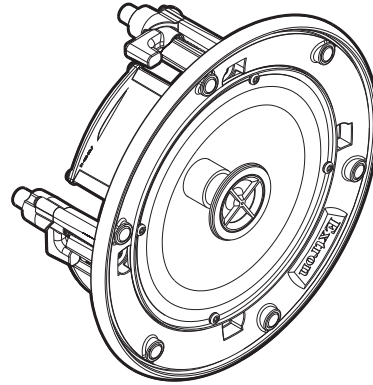
10.00 kHz 16.00 kHz
12.50 kHz 20.00 kHz



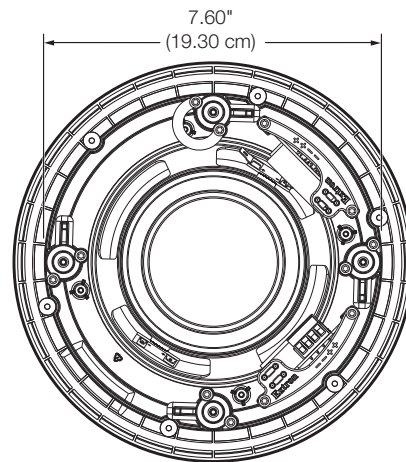
PANEL DRAWINGS



Front



Side View



Rear View

WORLDWIDE SALES OFFICES

Anaheim • Raleigh • Silicon Valley • Dallas • New York • Washington, DC • Toronto • Mexico City • Paris • London
 Frankfurt • Madrid • Stockholm • Amersfoort • Moscow • Dubai • Johannesburg • Tel Aviv • Sydney • Melbourne
 Bangalore • Mumbai • New Delhi • Singapore • Seoul • Shanghai • Beijing • Hong Kong • Tokyo

www.extron.com