



URT2

Universal Rack Tray

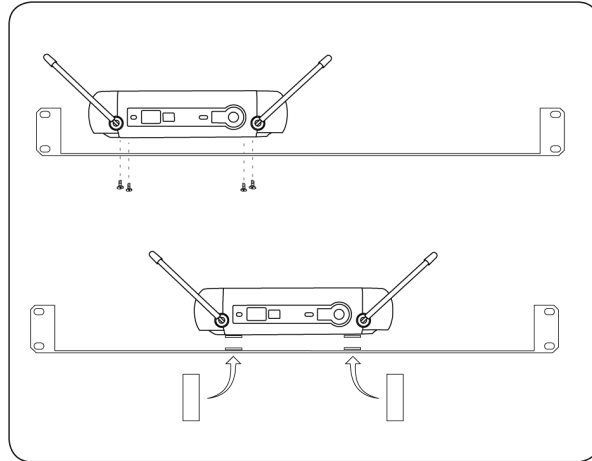
Shure online user guide for URT2 rack mounting tray.
Version: 4.0 (2020-H)

Table of Contents

URT2 Universal Rack Tray	3	Configuration Options	5
Installation	3	Mounting Hole Alignment	5
Install URT in 19" Rack	3	Dimensions	6

URT2 Universal Rack Tray

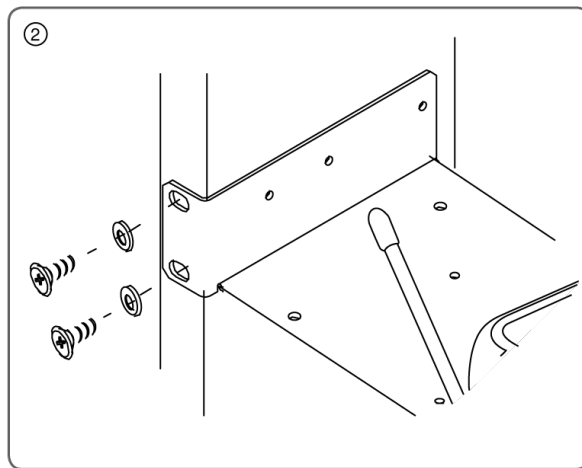
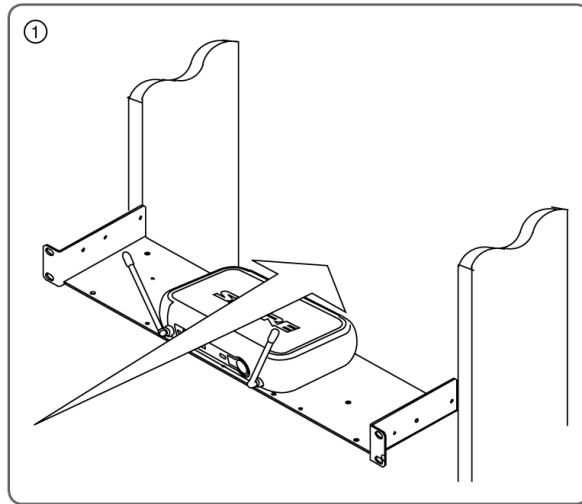
Installation

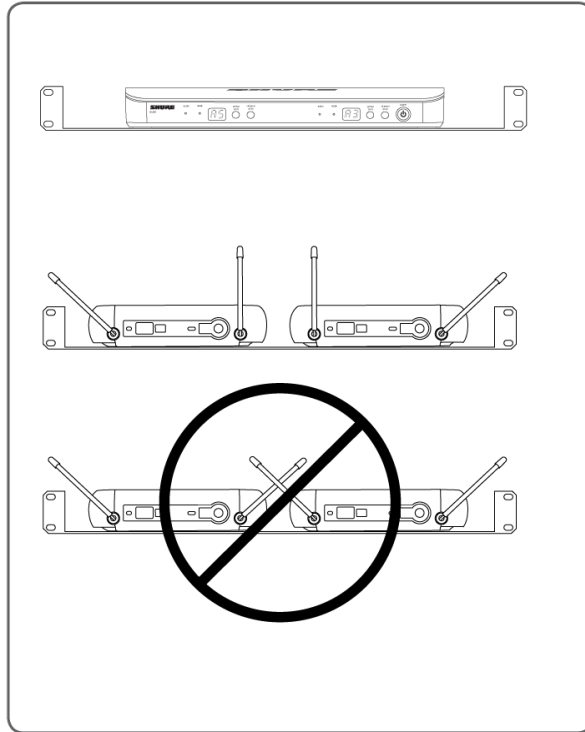


Use screws for installation if unit will remain mounted.

If unit will be removed and replaced repeatedly, use Velcro® strips to secure instead of screws.

Install URT in 19" Rack





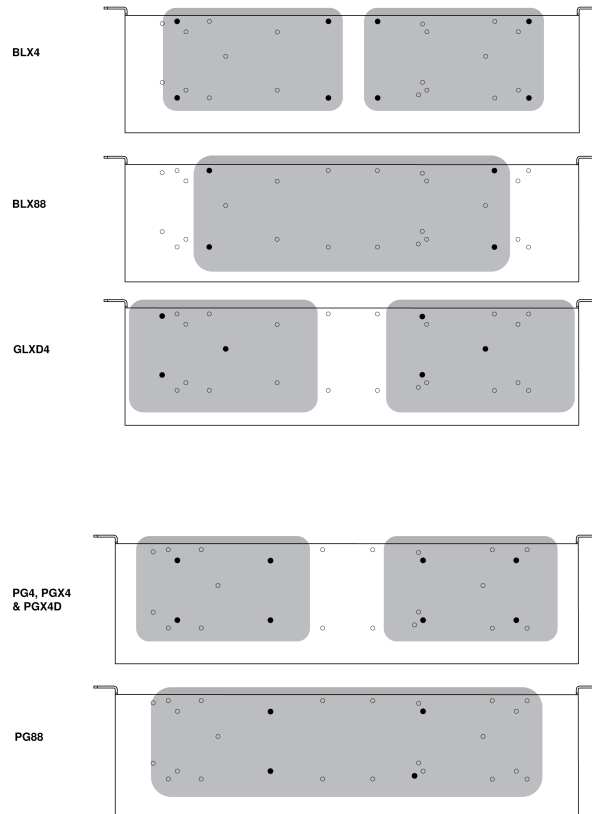
Configuration Options

The Shure URT2 is compatible with the following receiver models:

- PG4
- PG88
- PGX4
- PGXD4
- BLX4
- BLX88
- GLXD4

Mounting Hole Alignment

Align receivers with the correct mounting holes.



Dimensions

